

The Standard Picnic Table

6 ft - ASM-SPT6 • 8 ft - ASM-SPT8 • 8 ft - ASM-SPT8A • 8 ft - ASM-SPT2HA



6 Foot - **ASM-SPT6**
Brown Bench Frame
Weather Wood Planks

The Standard Picnic Table, available in 6 and 8 ft lengths, is based on traditional wooden picnic tables, but is constructed using recycled HDPE plastic for long lasting durability. It uses three 2"x 10" recycled plastic planks for a 29" wide table-top, and one for each of the 9¹/₂" wide seats, with heavy duty 4"x 6" corner leg posts for extra support.



8 Foot - **ASM-SPT8**
Black Bench Frame
Green Planks

TERRA BOUND
SOLUTIONS™



Proudly made
in the USA



Eco-Friendly Products



100% Recycled
Product

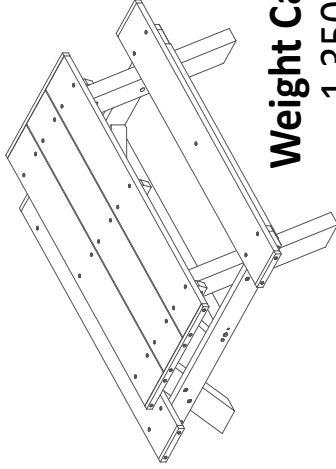
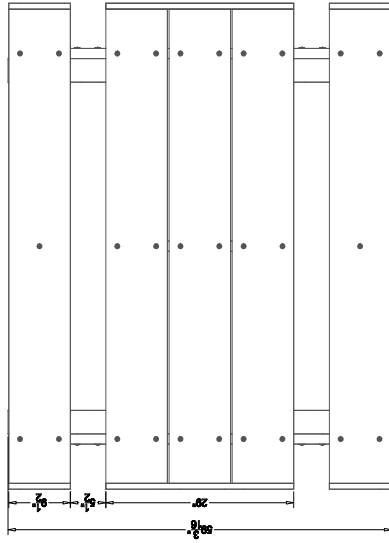


*See back of page for
details and measurements*

1-877-857-2915
terraboundsolutions.com

Standard 6ft & 8ft Picnic Table

ASM - SPT6

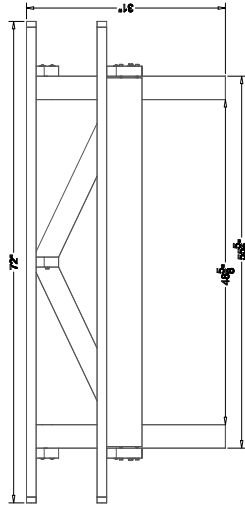


Weight Capacity

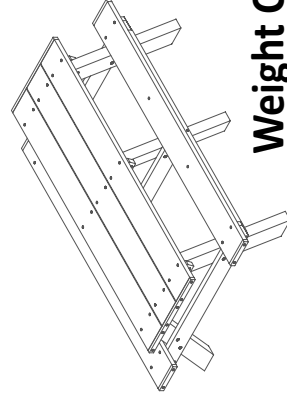
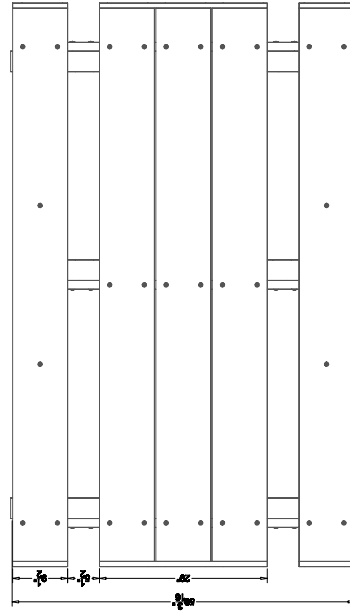
1,350 lbs

Product Weight

300 lbs



ASM-SPT8

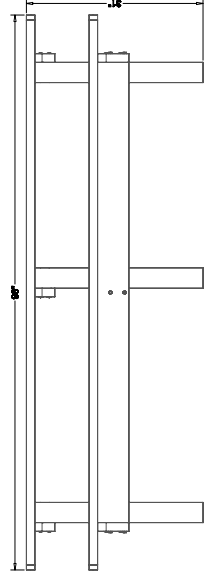


Weight Capacity

1,800 lbs

Product Weight

390 lbs



Seat Color Options

- Heavy duty/weather resistant/maintenance free!
- No need to stain or paint
- Resists fading, peeling and graffiti as the color is molded all the way through
- Can be surface mounted with brackets (sold separately)
- Stainless steel fasteners do not corrode nor rust



Frame Color Options



The Standard Picnic Table

6 ft - ASM-SPT6 • 8 ft - ASM-SPT8 • 8 ft - ASM-SPTHA • 8 ft - ASM-SPT2HA

8 foot - ASM-SPTHA

Black Bench Frame & Brown Planks



The Standard Picnic Table has two accessible table options, with an ADA Compliant overhang allowing wheelchair clearance on either on or both ends.

8 Foot - ASM-SPT2HA

Black Table Frame

Cedar Planks



TERRA BOUND
SOLUTIONS™



Proudly made
in the USA



Eco-Friendly Products



100% Recycled
Product



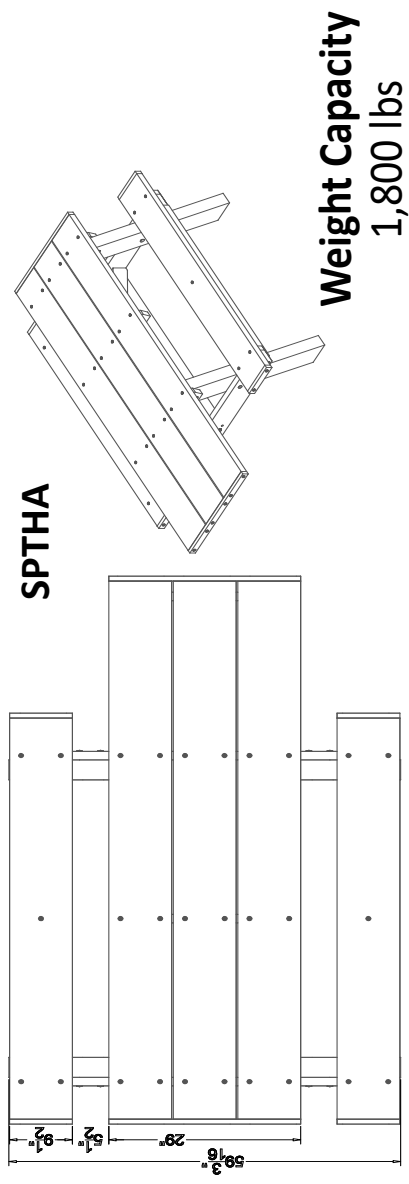
1-877-857-2915
terraboundsolutions.com

SPT1HA & SPT2HA Double ADA Compliant Accessible Table

Seat Color Options



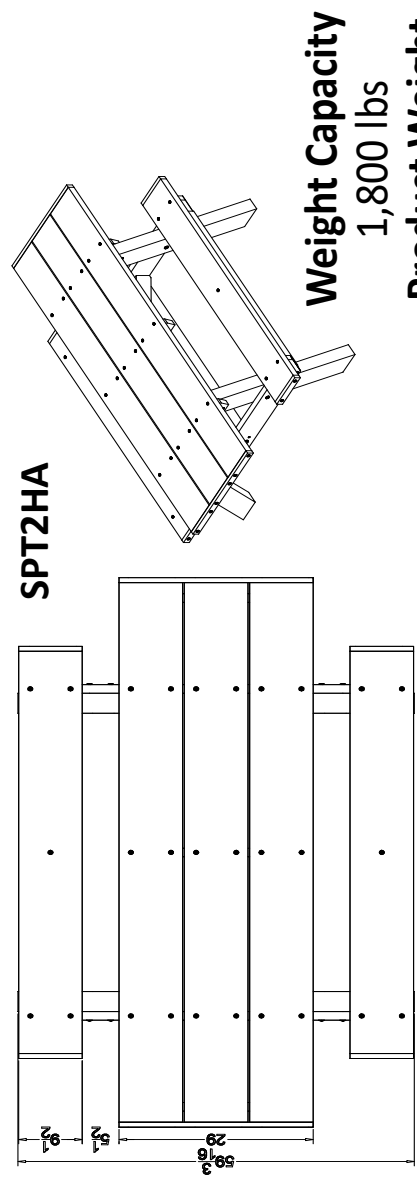
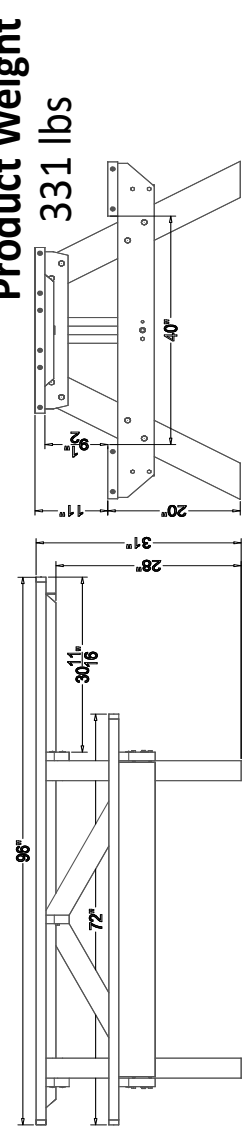
- Heavy duty/weather resistant/maintenance free!
- No need to stain or paint
- Resists fading, peeling and graffiti as the color is molded all the way through
- Can be surface mounted with brackets (sold separately)
- Stainless steel fasteners do not corrode nor rust



SPT1HA

Weight Capacity
1,800 lbs

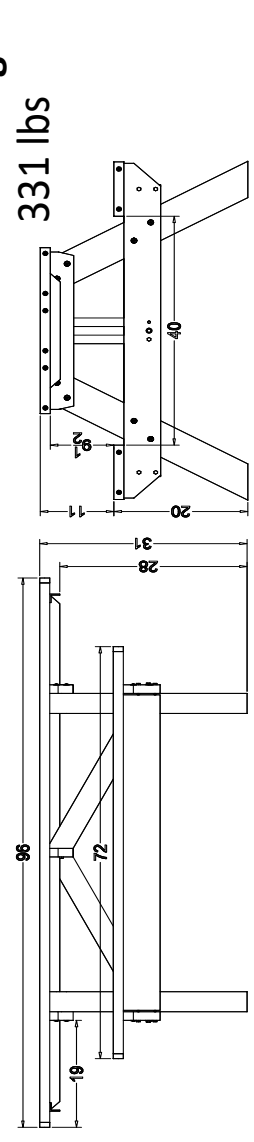
Product Weight
331 lbs



SPT2HA

Weight Capacity
1,800 lbs

Product Weight
331 lbs



Frame Color Options