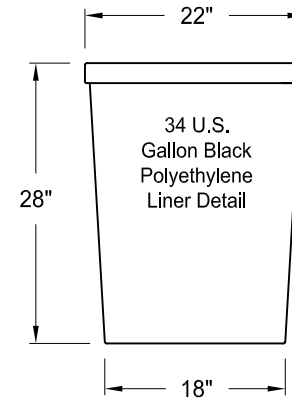
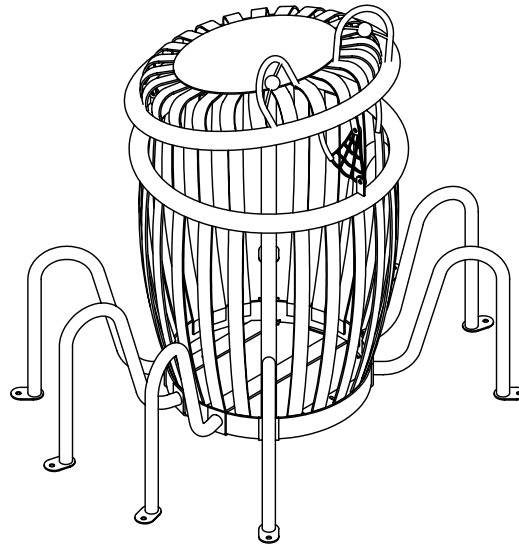
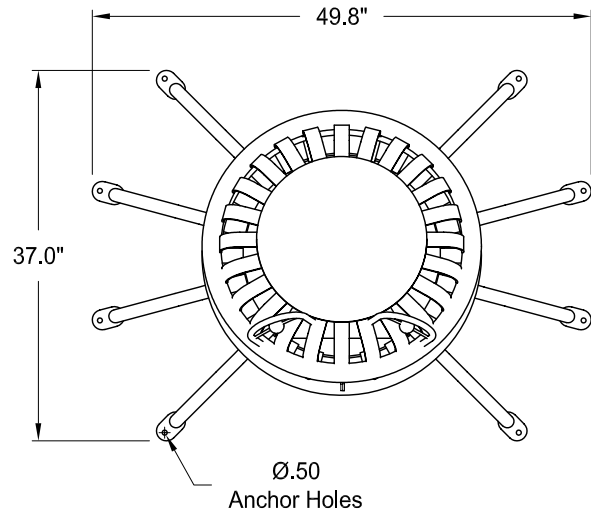
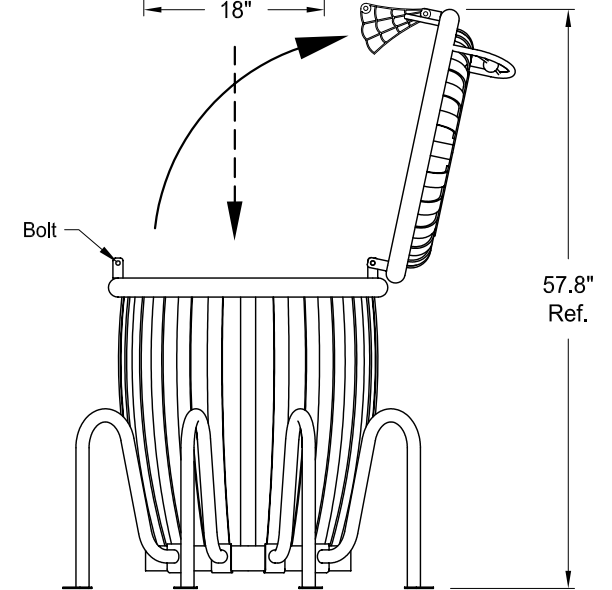
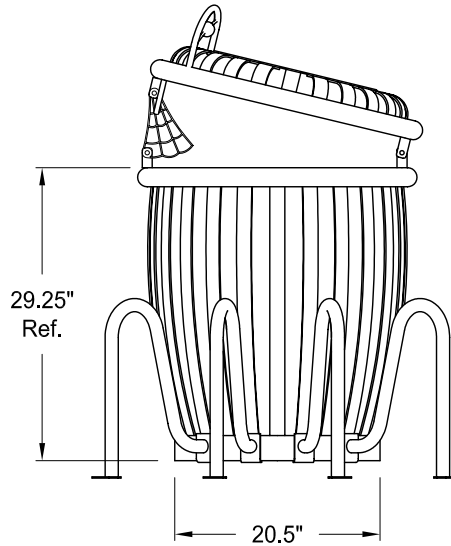
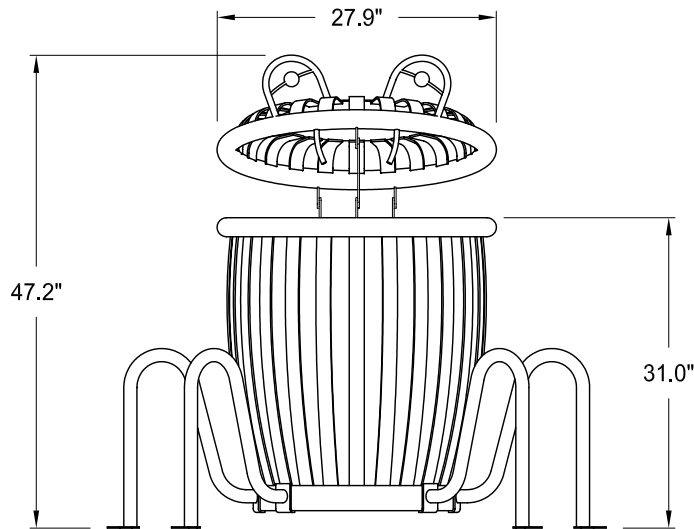


BREAK ALL EDGES AND CORNERS



To Remove Litter:

- 1) Remove Bolt from bottom of Lid Strut.
- 2) Carefully Tilt Lid Back.
- 3) Remove Liner or Bag within Liner



Materials:
 3/16" x 1.5" and 2.5" Steel Flat Bar
 3/16" Thick Steel Plate
 1.32 and 1.90" O.D. Steel Tube
 1/4" and 5/8" Diameter Steel Rod
 1.5" Diameter Steel Ball Bearing

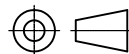
Notes:
 Dimensions shown are in inches.
 Anchoring Hardware Not Included.

These specifications are subject to change at the discretion of PEML.

Finish: Polyester Powder Top Coat over E-Coated Substrate.

REV	ECN	REVISION DESCRIPTION	DATE	BY
-	ERN--	NEW DRAWING P		

THE IDEAS AND INFORMATION CONTAINED WITHIN THIS PRINT ARE CONFIDENTIAL AND MUST NOT BE LENT, COPIED OR USED WITHOUT WRITTEN CONSENT.



TOLERANCES UNLESS OTHERWISE NOTED:
 2 PLACE DEC. ±.030
 3 PLACE DEC. ±.010
 ANGLES ±1.0°

ITEM	DESCRIPTION	P/N	QTY
SCALE: 1:20	TITLE		
DATE: 08Dec10	Spider Creature Can Specifications		
DRAWN BY: DPH			
CHECKED BY: -	DWG NO:	Model: CCS34	REVISION
SHEET 1 OF 1			-