

## 3" Speed Bump

One of the most aggressive traffic calming products on the market today can be temporarily deployed and easily recovered whenever and wherever you need them. The unique design of these speed bumps means that they will stay in place without the use of spikes, lag bolts, and/or adhesives. Simply put them down and link them together! The 3" Speed Bump provides you with 3" of solid, 100% recycled, masticated rubber which is manufactured to withstand extreme temperatures, constant UV light, extreme weather conditions, and of course, high traffic volume.



Designed to slow traffic to a crawl of 3-5 mph, the 3" Speed Bump has been repeatedly field-tested to take the abuse and compression of extremely high-weight vehicles, including fully-loaded, 74,000 lb tractor-trailers. These qualities make the 3" Speed Bump ideal for temporary traffic stops, guarded gate entrances or exits, construction sites, or anywhere a more aggressive traffic control device is temporarily needed. You have a choice to purchase with or without channel. This speed bump has been successfully used by police and fire departments as well as Border Patrol, Homeland Security, and Military Units for traffic check points. The 3" Speed Bump comes with a high visibility, yellow reflective stripe for use during low-light or night-time conditions.

Three units are easily deployed to cover a 9 foot wide traffic lane. More units give you unlimited length and coverage. Designed for extremely high weight vehicles.

### Features:

- 100% Recycled Whole Tire Rubber
- Can be used on dirt/gravel roads
- Use for sobriety and police check-points
- Portable or Permanent - unlimited connectivity
- Slow-down traffic during fire and auto accident emergencies
- High visibility safety yellow paint
- Multitude of configurations
- 3ft long per bump
- Galvanized lag bolt and anchors for permanent installation
- Target slow down speed from 3 to 5 mph
- Patented
- Made in U.S.A.



**100% Recycled  
Material**



**UV Resistant**

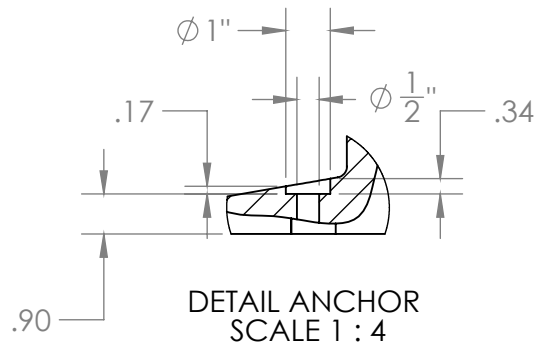
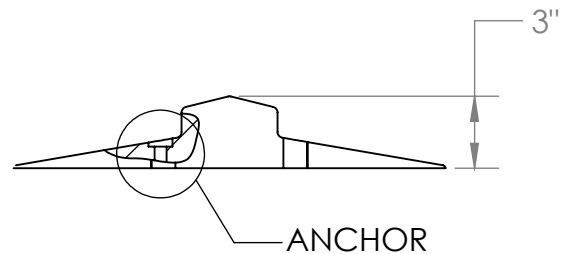
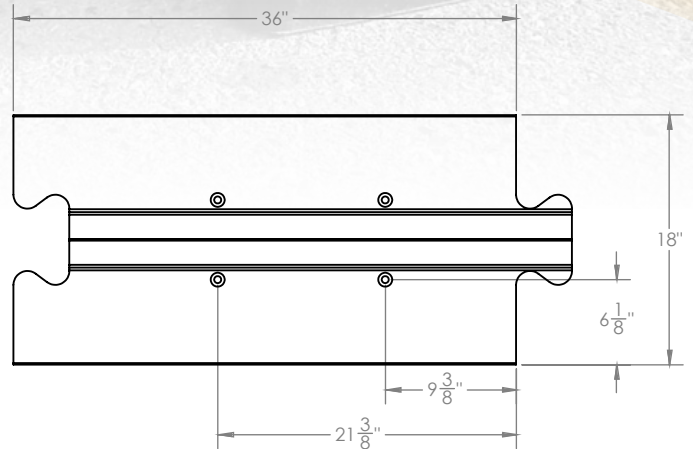


**Made in the  
USA**



**LEED  
Certified**

# 3" Speed Bump Specifications



## Specifications:

- 43 lbs
- 3"H x 18"W x 36"L
- Masticated recycled whole tire rubber
- High visibility safety yellow paint
- Available with or without cable hole

## Models:

### RF-MLSB3

- RubberForm 3"High Speed Bump

## Hardware:

### RF-MLSBHW

- 4 Bolts
- 4 Anchor Sleeves
- 4 Washers (1/2"W x 5"L)
- Adhesive

### RF-RBR14

- 14" forged, galvanized spike for asphalt installation

### RF-RBR24 - RF-RBR36

- 24" or 36" rebar for dirt/gravel road installation

### RF-DREA14

- 14" dirt road earth anchor

