

2.5" Speed Bump

The 2.5" Speed Bump is the only free-standing speed bump or permanent rubber speed bump available on the market today, targeted for traffic speeds below 10 mph. The unique design of these speed bumps means that they will stay in place without the use of spikes, lag bolts, and/or adhesives. Simply put them down and link them together! The 2.5" Speed Bumps provide you with 2.5" of solid, 100% recycled rubber which is manufactured to withstand extreme temperatures, constant U.V. light, extreme weather conditions, and of course, high traffic volume.



The 2.5" Speed Bump has been repeatedly field-tested to take the abuse and compression of extremely high weight vehicles and high volumes of continuous traffic. These qualities make the 2.5" Speed Bump ideal for temporary traffic stops, parking lots, parking complexes, guarded gate entrances or exits, construction sites, school drop-off or pick-up areas, emergency response situations, or anywhere an effective traffic control device is temporarily or permanently needed.

Easy to deploy! Easy to install! Easy to recover! The 2.5" Speed Bumps come with embedded, high-visibility AASHTO reflectors for use during low-light or night-time conditions. Red/white reflectors are available.

Features:

- 100% Recycled Masticated Rubber
- Can be used on dirt/gravel roads
- Use for sobriety and police check-points
- Portable or Permanent - unlimited connectivity
- Multitude of configurations
- 3ft long per bump
- Embedded, high-visibility/ AASHTO yellow reflectors
- Target slow down speed to 10 mph or below
- Stainless steel lag bolt and anchors for permanent installation
- Patented
- Made in U.S.A.



**100% Recycled
Material**



UV Resistant

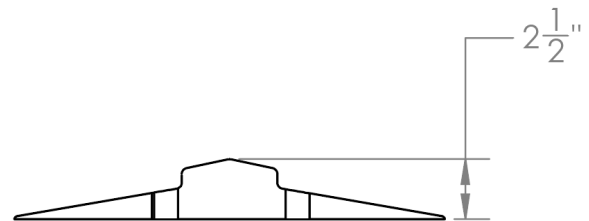
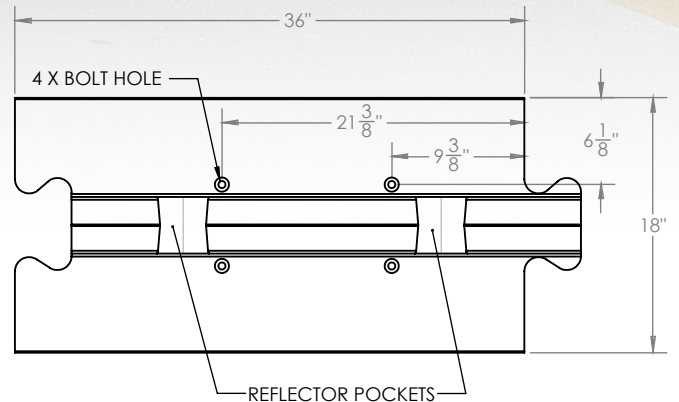


**Made in the
USA**



**LEED
Certified**

2.5" Speed Bump Specifications



Specifications:

- 35 lbs
- 2.5"H x 18"W x 36"L
- Masticated recycled whole tire rubber
- 2 embedded, highly visibility AASHTO two-way yellow reflectors

Models:

RF-MLSB2.5

- RubberForm 2.5" High Speed Bump

Hardware:

RF-MLSBHW

- 4 Bolts
- 4 Anchor Sleeves
- 4 Washers (1/2"W x 5"L)
- Adhesive

RF-RBR14

- 14" forged, galvanized spike for asphalt installation

RF-RBR24 - RF-RBR36

- 24" or 36" rebar for dirt/gravel road installation

RF-DREA14

- 14" dirt road earth anchor

