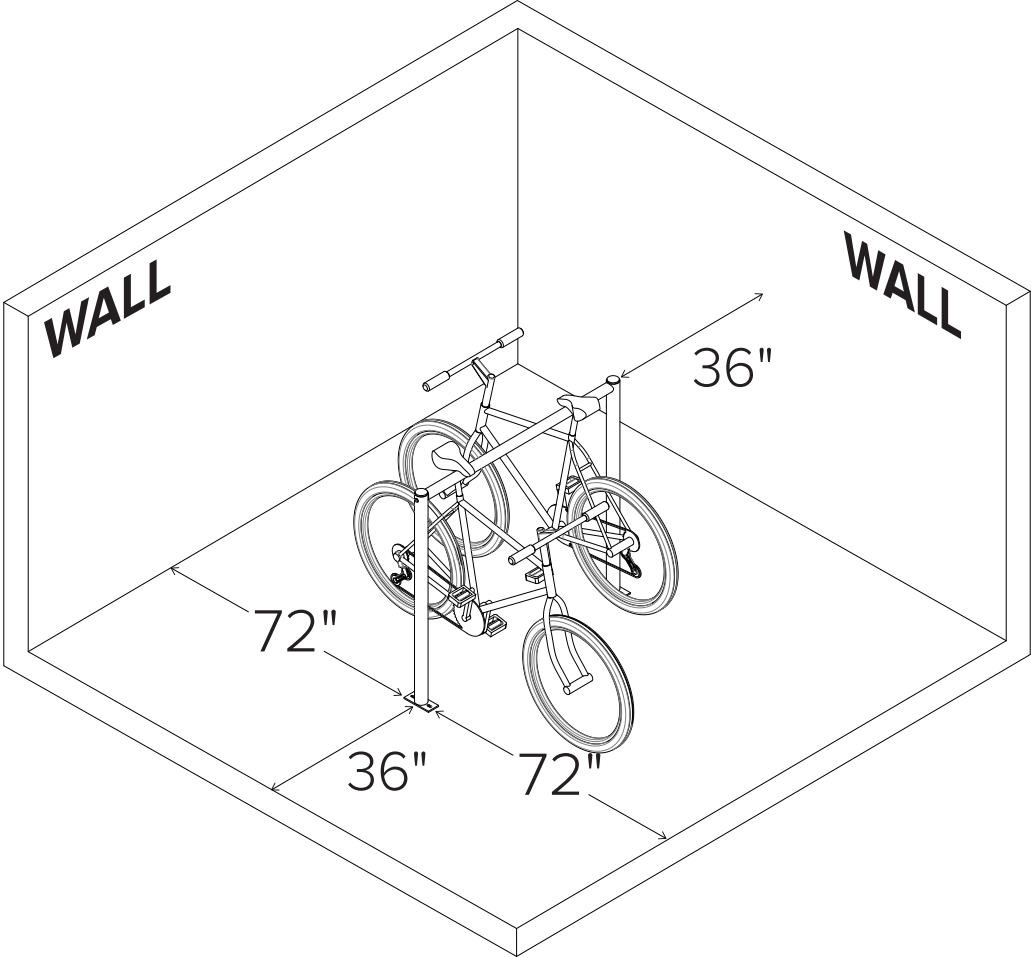


SADDLE BUDDY™

Setbacks

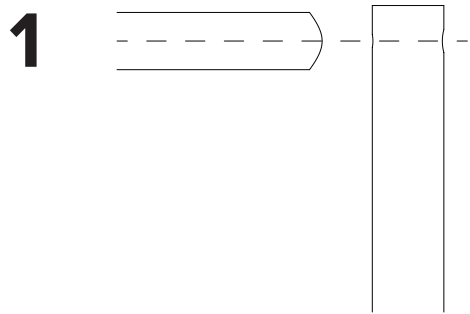


SADDLE BUDDY™

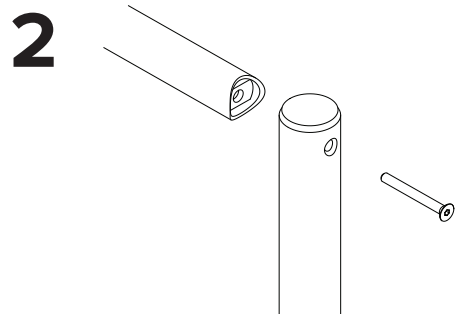
Installation Instructions - Assembly

TOOLS NEEDED

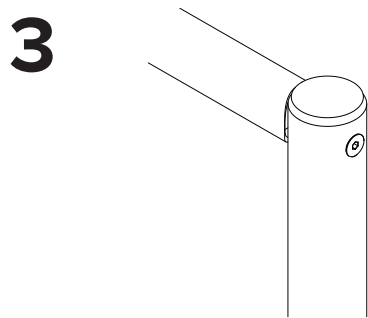
Hex key



Align the horizontal cross bar and vertical members so the bolt holes line up.



Ensure the countersunk side of the vertical members is facing out and insert the countersunk hex bolts through the vertical member, threading into the brass colored, threaded riv-nut fixed into the horizontal cross bar.



Tighten the countersunk bolts with the appropriate hex key until there the countersunk head seats in the countersunk hole on the vertical member, and so there is no play between the bolted components.

SADDLE BUDDY™

Installation Instructions – Surface Mount

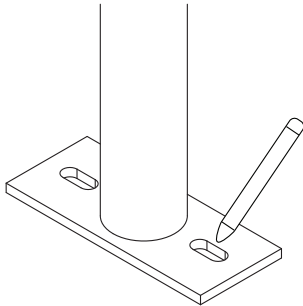
TOOLS NEEDED

Tape Measure
Hammer
Electric Hammer Drill
3/8" x 6" Masonry Drill Bit
Hex Key

RECOMMENDED BASE MATERIAL

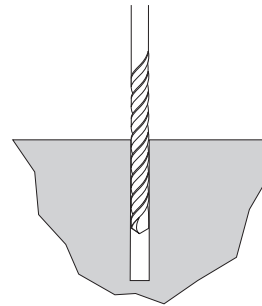
Solid concrete is the best base material for installation. To ensure the proper anchors are shipped with your rack, ask your Dero Rack representative which anchor is appropriate for your application. Be sure nothing is underneath the base material that could be damaged by drilling.

1



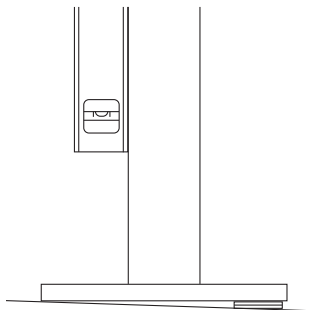
Place the rack in the desired location. Use a marker or pencil to outline the holes of the flange onto the base material.

2



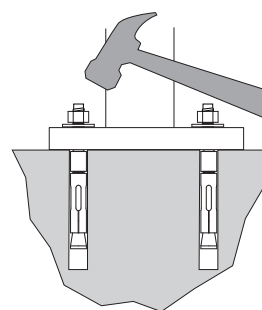
Drill 3/8" diameter holes 3" deep into surface. Make sure the holes are at least 3" away from any cracks in the base material.

3



Place rack (and washers to level rack if necessary) over holes.

4



Thread nuts onto anchors, leaving approximately 1/4" of the anchor protruding, and tap into surface. Tighten nuts down to secure rack.

SADDLE BUDDY™

Installation Instructions – In Ground Mount

TOOLS NEEDED

Level
Cement mixing tub
Shovel
Trowel

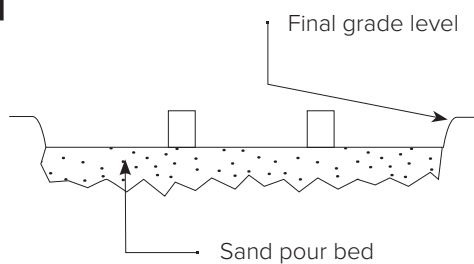
Hole coring machine with 4" bit
Access to water hose
Materials to build brace (see "Install Tip" at bottom of page)

INSTALLING INTO EXISTING CONCRETE

Core holes no less than 3" diameter and no less than 11" deep into sidewalk. Fill holes with Super Por-Rok or epoxy grout. Place Saddle Buddy™ into holes, making sure the rack is level. The welds at the base should be just below the surface. Make sure the rack is level and held in place until the grout has set.

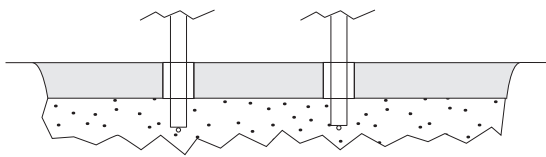
INSTALLING INTO NEW CONCRETE

1



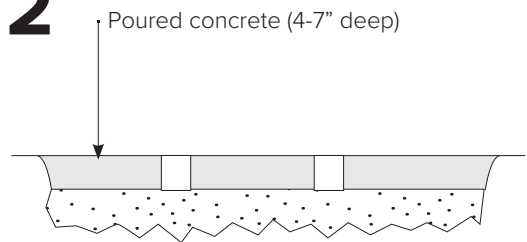
Place corrosion resistant sleeve (min. 4" inside diameter) in sand pour bed in exact location where rack will be installed. Make sure top of sleeve is at same level as desired finished concrete surface. Fill sleeve with sand to keep it in place and prevent it from filling with concrete.

3



After appropriate cure time, dig out sand from sleeves and insert racks, making sure they are level and at the appropriate height. Pour in Por-Rok or epoxy grout and allow to set.

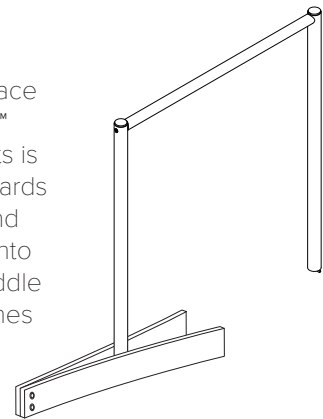
2



Pour concrete and allow to cure.

INSTALL TIP

An easy way to brace the Saddle Buddy™ while the grout sets is to bolt two 1x4" boards together at one end and clamp them onto the legs of the Saddle Buddy™ like a clothes pin.



SADDLE BUDDY™

Installation Instructions – Rail Mount

Place 3/8" carriage bolts through Saddle Buddy™ flange and rail as illustrated below. Apply washers and nuts from underside of rail. Use a 9/16" socket to tighten nuts.

