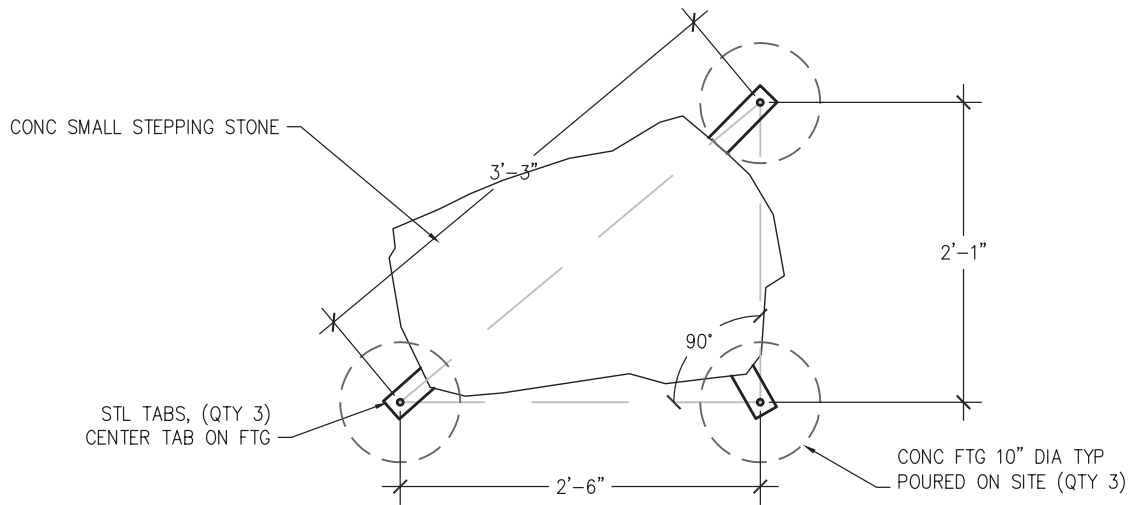
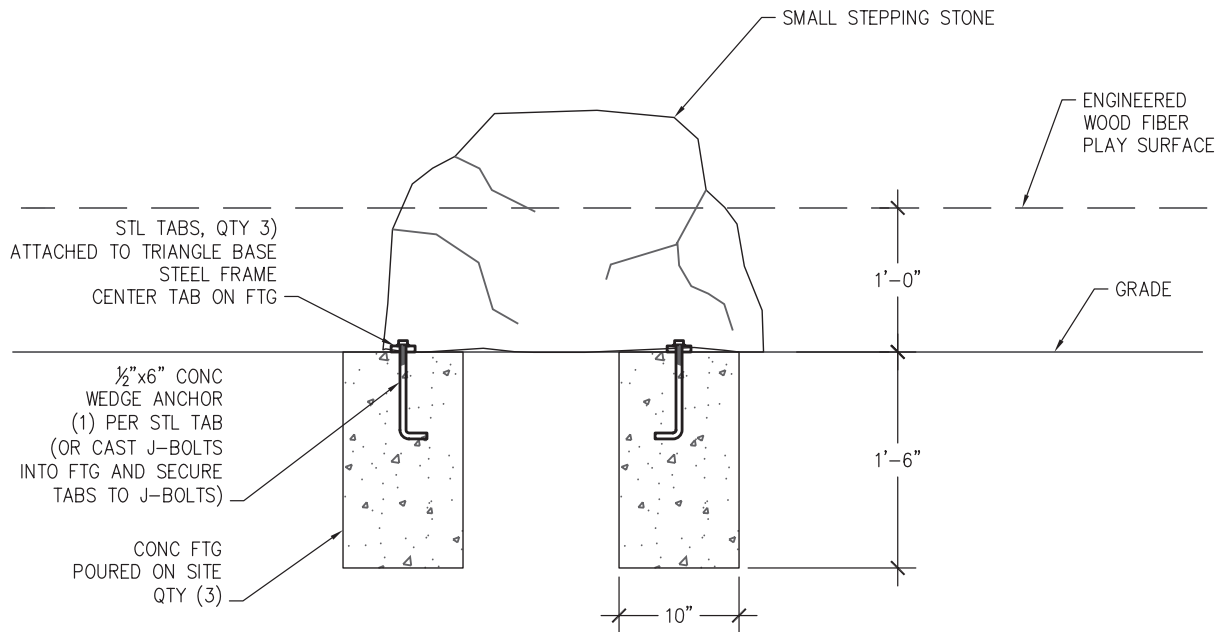


PLAN



ELEVATION



Small Stepping Stones 3SB



NatureROCKS™
A boulder way to play!™

TERRA BOUND
SOLUTIONS

TerraBoundSolutions.com

INSTALLATION INSTRUCTIONS

Tools Required:

- Skidster or Fork Lift Truck
- Shovel /Auger
- Nylon lifting strap, minimum 8' length
Note: Rated for 500 lbs. minimum
- Concrete
Note: Rated for 2,500 psi minimum

Weight: 150 lbs. per Small Stepping Stone

Step 1: Thoroughly inspect all pieces before unloading for damages incurred during shipping.

Step 2: Establish layout of Small Stepping Stones and dig footing holes.

Note: Actual dimensions of products may vary slightly from drawing. Confirm actual tab and hole locations.

Step 3: Carefully place Small Stepping Stones so that steel tabs align with footing holes.

Step 4: Attach J-bolts (Qty = 3) to steel tabs at the base of the Small Stepping Stones. Make sure J-bolts are centered in footing holes. Fill footing holes with concrete.

Step 5: Once concrete has hardened, remove all remaining packaging materials and inspect piece for blemishes. Use included touch-up kit as needed.

GENERAL NOTES

- Due to variables in local soil conditions, footing sizes may vary to meet local codes.
- Actual on-site conditions may vary and may require modifications to installation method.
- Use care and caution while handling play pieces. Make sure all points of contact are protected from lifting straps or other machinery that may damage the piece.
- Bracing materials may be required during installation.
- Recommended spacing is no greater than 12" to 18" apart for stepping stones. Consult your playground safety guide for your application.

NatureROCKS™
A boulder way to play!™

TERRA BOUND
SOLUTIONS

TerraBoundSolutions.com