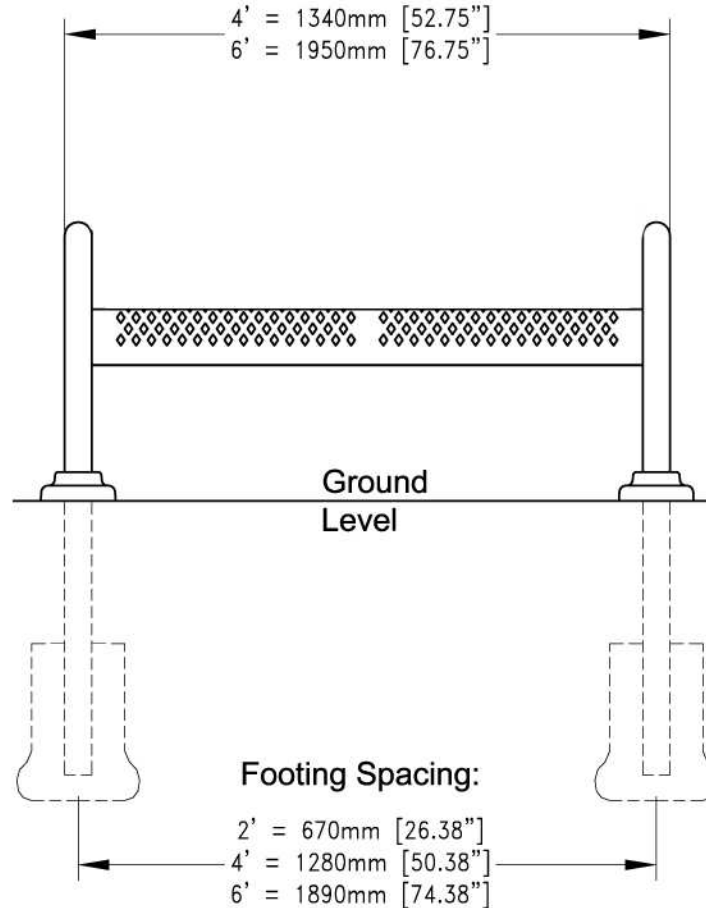
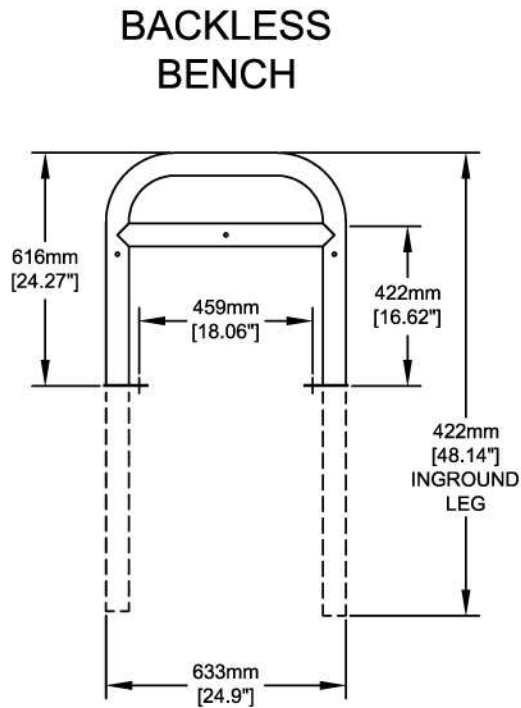


ROYALE Cantilever Frame Bench - Steel Seating Surfaces

Specifications & Assembly Instructions



SPECIFICATIONS

TUBULAR STEEL FRAMES:

2.375" outside diameter, 0.109" thick wall, Allied in-line, galvanized steel tubing tested in compliance with ASTM-A-135, or a-513 standards.

HARDWARE:

All stainless steel (Kit P/N: 61021800).

SEATING SURFACES:

PERFORATED STEEL - 13 ga. Sheet Steel, (Note: Various perforation patterns available, ask your representative for details), 11 ga. Steel support webs and brackets, 3/16" x 1-1/2" bar

Mounting Plate Covers (Optional):

Aluminum, 4 mm [.16"] ave. thickness

NOTE: We have endeavored to insure that all product specifications listed on this drawing were correct at the time of publication. We reserve the right to improve, alter, or discontinue specifications without notice.