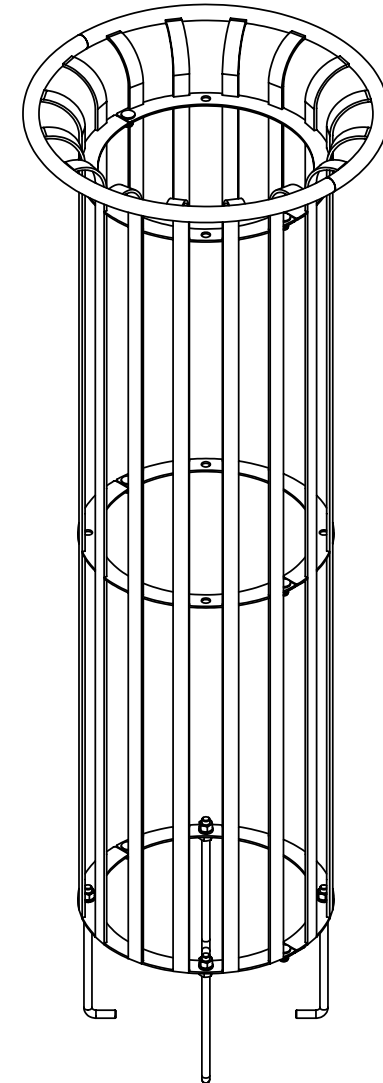
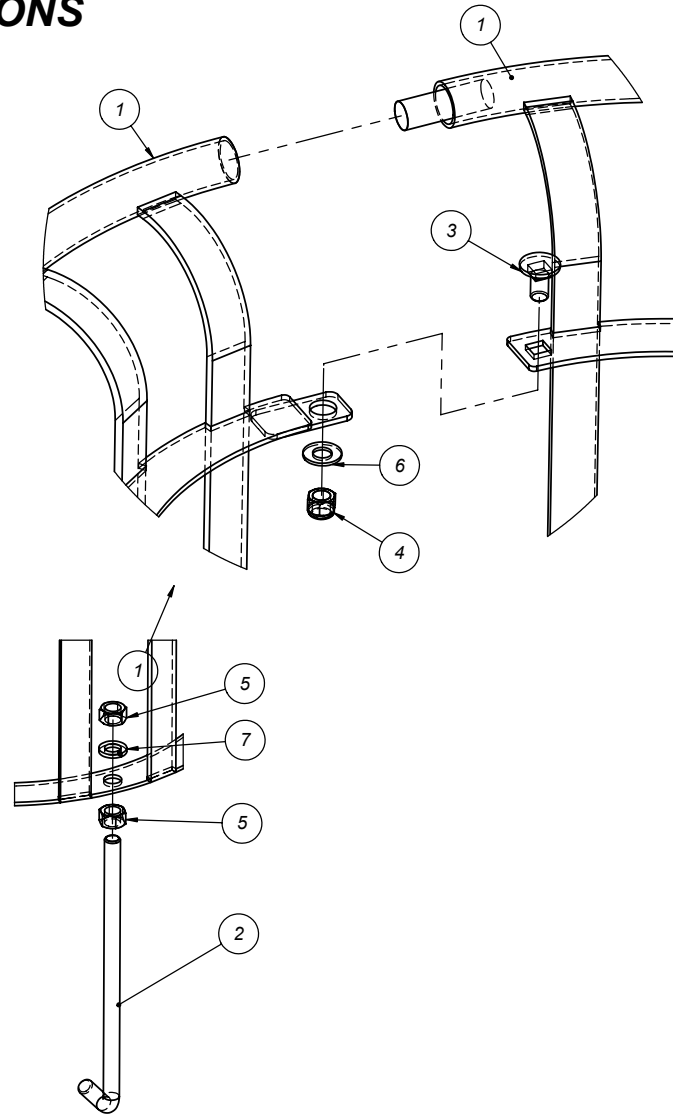
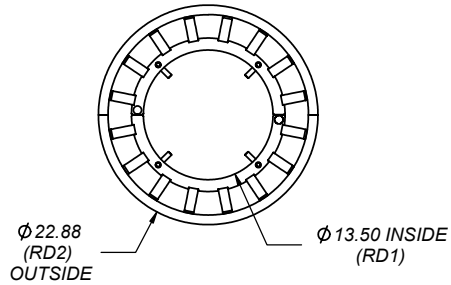


ASSEMBLY INSTRUCTIONS AND SPECIFICATIONS



TREE GUARD, PREMIER
MODEL:71151000

MATERIAL SPECIFICATIONS:

SLATS - 3/16 x 1.00 HRPO
 BRACKETS - 11 GA GALV
 TUBE - 1.00 DIA x .083 ILG

ITEM NO.	DESCRIPTION	PART NO.	QTY.
1	TREE GUARD HALF, PREMIER	51127900	2
2	1/2-13 'J' ANCHOR BOLT, 10.00 x 2.00 GALV	200009646	4
3	3/8-16 x 3/4" CARRIAGE BOLT, ZN	07059200	6
4	HEX NUT, NYLON LOCK, 3/8-16 SS	110030	6
5	HEX NUT, 1/2-13 GALV	200009800	8
6	FLAT WASHER, 3/8 ANSI TYPE A SS	117005	6
7	WASHER, LOCK, .50 GALV	200009819	4

UNLESS OTHERWISE SPECIFIED, DIMENSIONS ARE IN INCHES