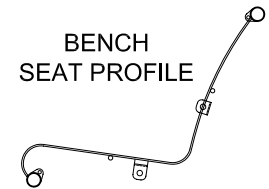
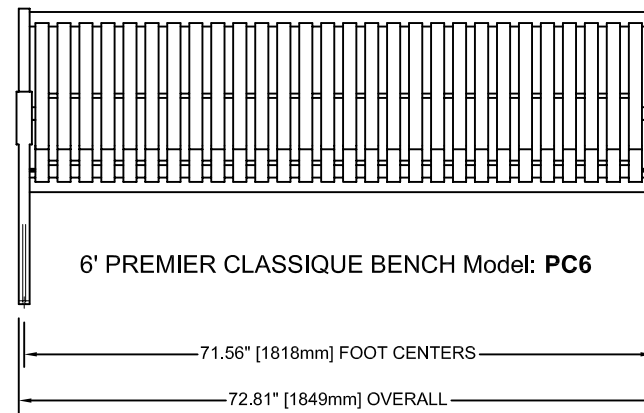
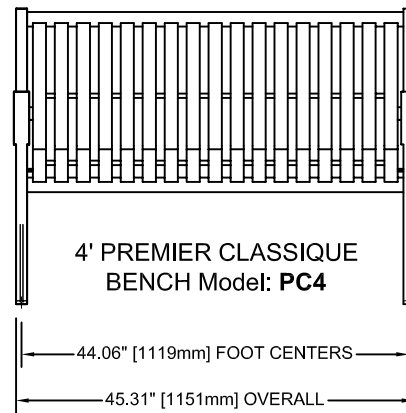
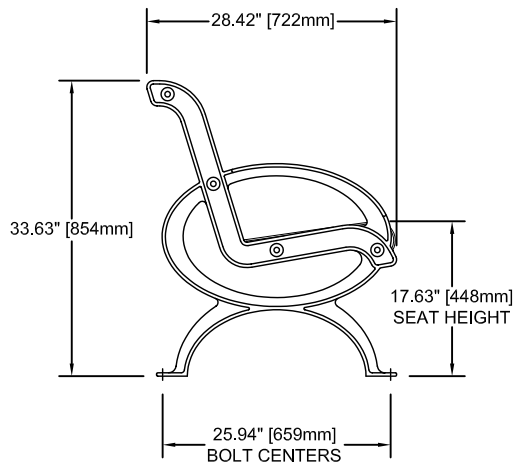


PREMIER CLASSIQUE

Specifications



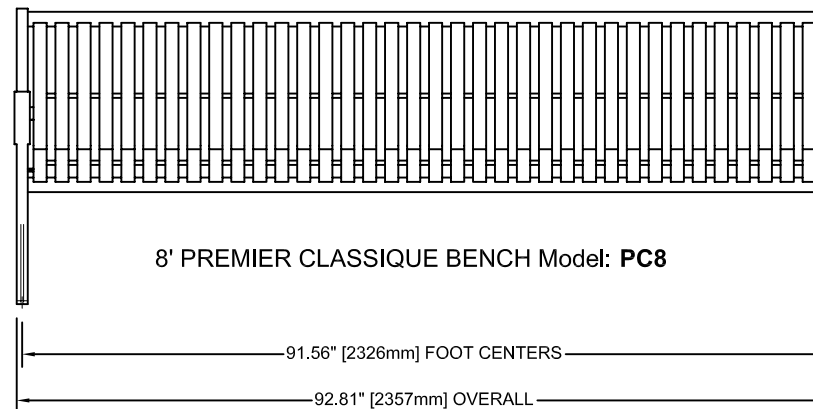
MATERIAL SPECIFICATIONS:

SEAT SECTIONS: 3/16" X 1 1/2" FLAT BAR (Seat Slats)
11 GA STEEL
1/2" DIAMETER STEEL ROD
1-5/8" DIAMETER X .10" TUBING

LEG CASTINGS: CAST IRON "H"-BEAM CROSS SECTION, 5/16" AVERAGE WALL THICKNESS

HARDWARE: STAINLESS STEEL TAMPER PROOF; ANCHORING HARDWARE NOT INCLUDED.

PAINT SPECIFICATIONS: STEEL SHALL RECEIVE SUPERIOR GALVANIC RUST INHIBITING TREATMENTS (E-COATING) AND AN ELECTROSTATICALLY APPLIED POLYESTER POWDER COATING. THE COATING SHALL BE CURED AT TEMPERATURES BETWEEN 400°F (204°C) AND 450°F (232°C). THE POLYESTER POWDER SHALL BE TESTED IN COMPLIANCE WITH ASTM STANDARDS: D522 FLEXIBILITY MANDREL TEST, D2794 IMPACT RESISTANCE TEST, B117 SALT SPRAY RESISTANCE TEST, D2247 HUMIDITY RESISTANCE TEST, D3363 PENCIL HARDNESS TEST, D3359 METHOD B CROSSHATCH ADHESION TEST. SUCH TESTING DEMONSTRATES THE SUPERIOR WEATHERABILITY CHARACTERISTICS OF POLYESTER POWDER COATING OVER EPOXY OR HYBRID PAINTS.



We have endeavoured to insure that all product specifications listed on this drawing were correct at the time of publication. We reserve the right to improve, alter, or discontinue specifications without notice.