

The Polly Tuff Step Thru Table

ASM-PTST6 • ASM-PTST8 • PTSTHA



ASM-PTST6

Green Frame & Sand Planks

The Polly Tuff Step Thru Table uses a structurally designed frame of 4"x 4" lumber made from recycled plastic, providing strength and stability. The low frame profile allows easy step-through access to seating, which makes it ideal for those with limited mobility who might not be able to climb over typical picnic table frames.



ASM-PTST8

Black Frame & Cedar Planks

*See back of page for
details and measurements*

TERRA BOUND
SOLUTIONS™



Proudly made
in the USA



Eco-Friendly Products



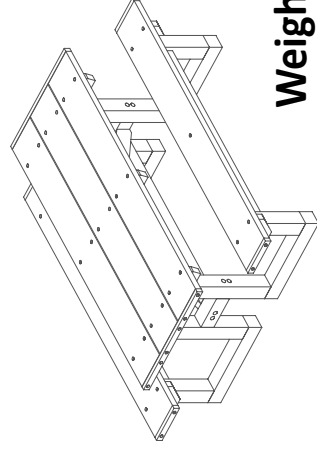
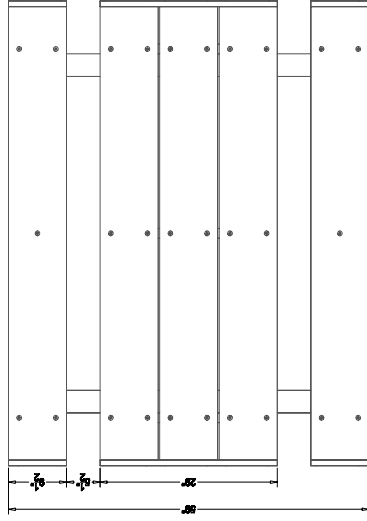
100% Recycled
Product



1-877-857-2915
terraboundsolutions.com

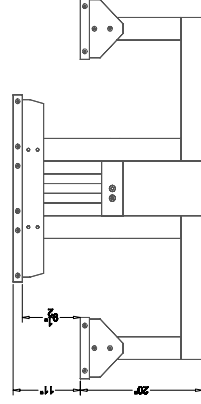
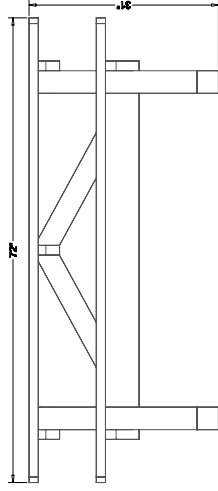
Polly Tuff Step Thru Table 6 ft, 8 ft

ASM-PTST6

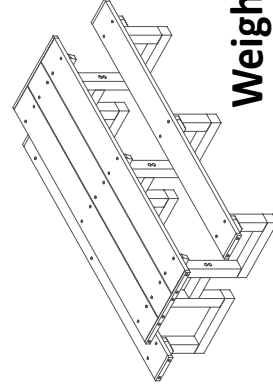
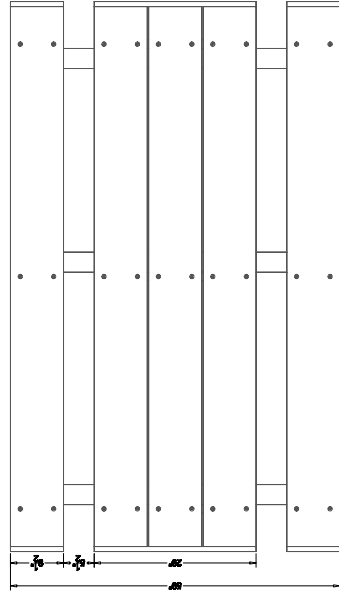


Weight Capacity
1,350 lbs

Product Weight
311 lbs

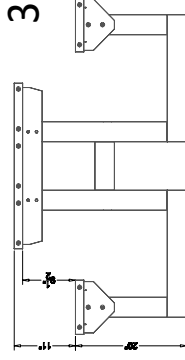
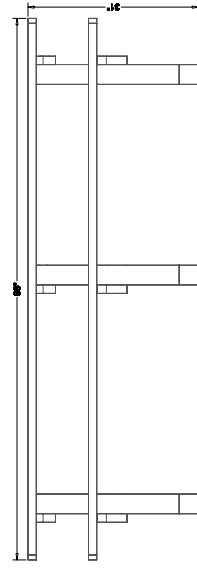


ASM-PTST8



Weight Capacity
1,800 lbs

Product Weight
375 lbs



Seat Color Options

- Heavy duty/weather resistant/maintenance free!
- No need to stain or paint
- Resists fading, peeling and graffiti as the color is molded all the way through
- Can be surface mounted with brackets (sold separately)
- Stainless steel fasteners do not corrode nor rust



Frame Color Options



The Polly Tuff Step Thru Table

ASM-PTST6 • ASM-PTST8 • PTSTHA

ASM-PTSTHA

Green Frame & Cedar Planks



The Polly Tuff Step Thru Table is available in 6 ft. and 8 ft. lengths as well as an ADA Compliant option. The accessible table has an 8 ft. tabletop and 6 ft. benches, providing an overhang with full wheelchair clearance on one end.

- Heavy duty/weather resistant/maintenance free!
- No need to stain or paint
- Resists fading, peeling and graffiti as the color is molded all the way through
- Can be surface mounted with brackets (sold separately)
- Stainless steel fasteners do not corrode nor rust

*See back of page for
details and measurements*

TERRA BOUND
SOLUTIONS™



Proudly made
in the USA



Eco-Friendly Products



100% Recycled
Product



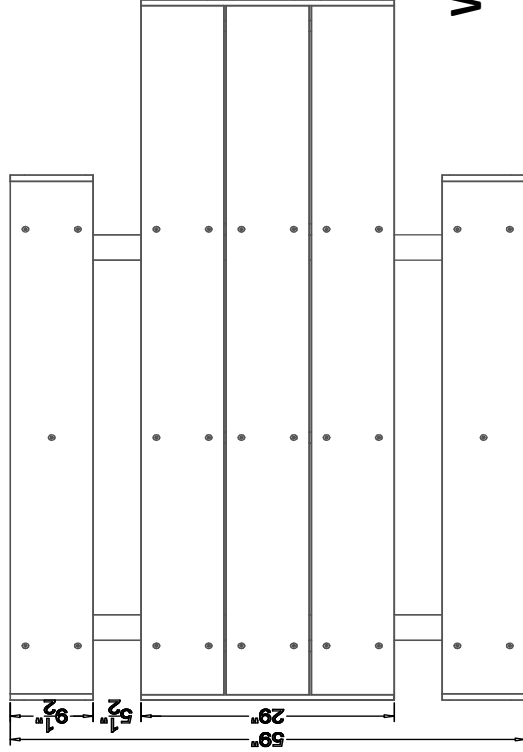
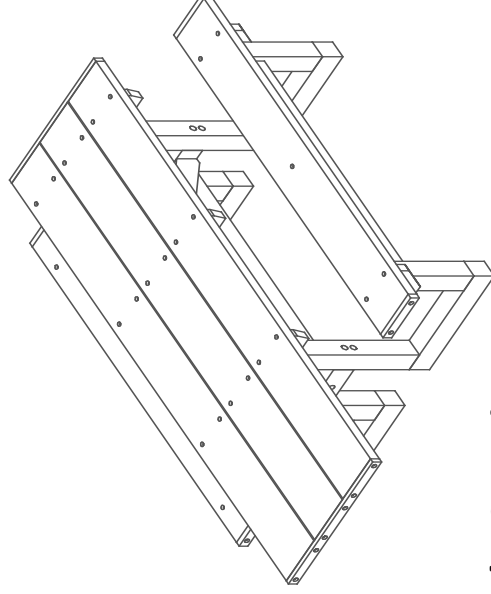
1-877-857-2915
terraboundsolutions.com

Polly Tuff Step Thru ADA Compliant Table

Seat Color Options



- Heavy duty/weather resistant/maintenance free!
- No need to stain or paint
- Resists fading, peeling and graffiti as the color is molded all the way through
- Can be surface mounted with brackets (sold separately)
- Stainless steel fasteners do not corrode nor rust

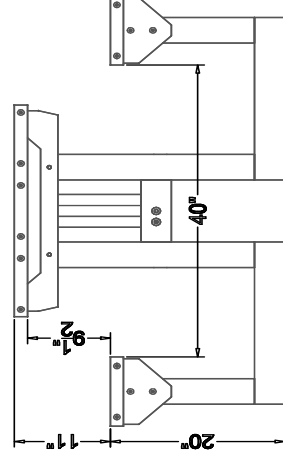
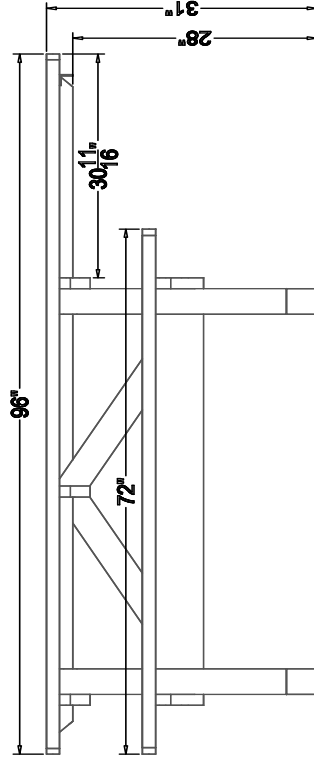


Weight Capacity

1,800 lbs

Product Weight

358 lbs



Frame Color Options

