

# The Polly Tuff Easy Access Table

ASM-PTEA6 • ASM-PTEA8 • PTEAHA

**ASM-PTEA6**  
Black Frame  
Sand Planks



The Polly Tuff Easy Access Table uses three structurally engineered, one-piece proprietary leg frames molded solid from recycled plastic. It is the easiest to assemble, and the low frame profile allows easy access to seats, which also makes it ideal for those with limited mobility.



**ASM-PTEA8**  
Brown Frame  
Cedar Planks

*See back of page for  
details and measurements*

**TERRA BOUND**  
SOLUTIONS™



Proudly made  
in the USA



Eco-Friendly Products



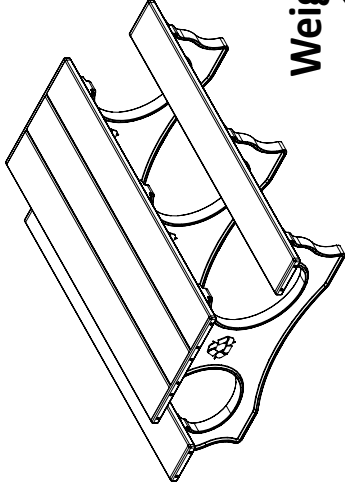
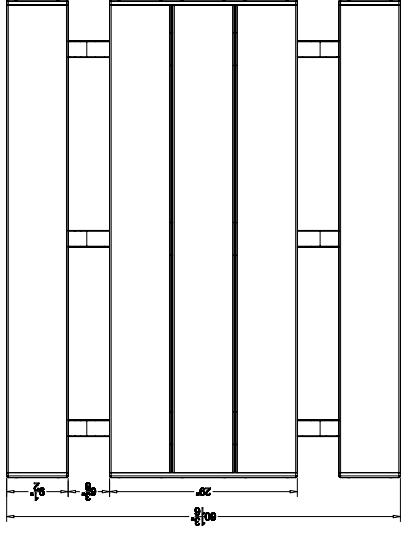
100% Recycled  
Product



**1-877-857-2915**  
[terraboundsolutions.com](http://terraboundsolutions.com)

# Polly Tuff Easy Access Table 6, 8 ft

ASM-PTEA6

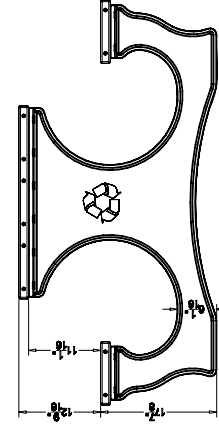


**Weight Capacity**

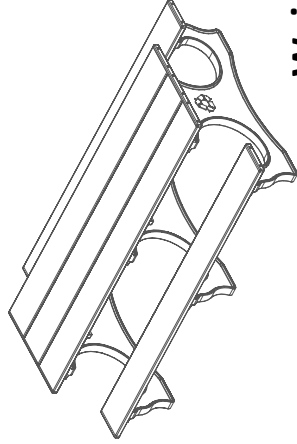
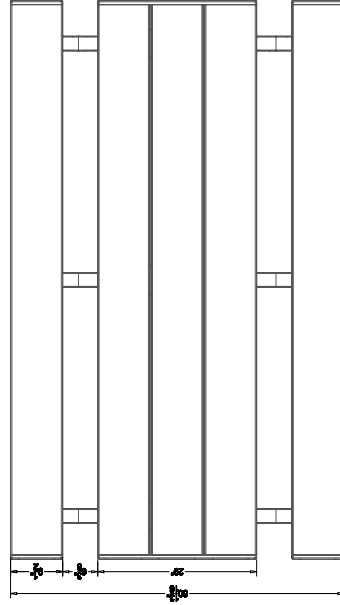
1,350 lbs

**Product Weight**

272 lbs



ASM-PTEA8

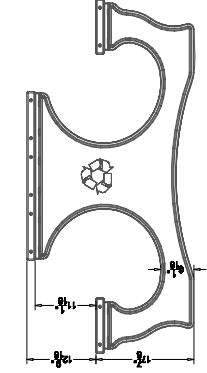


**Weight Capacity**

1,800 lbs

**Product Weight**

322 lbs

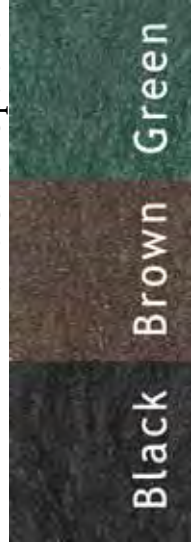


Seat Color Options

- Heavy duty/weather resistant/maintenance free!
- No need to stain or paint
- Resists fading, peeling and graffiti as the color is molded all the way through
- Can be surface mounted with brackets (sold separately)
- Stainless steel fasteners do not corrode nor rust



Frame Color Options



# The Polly Tuff Easy Access Table

ASM-PTEA6 • ASM-PTEA8 • PTEAHA

## ASM-PTEAHA Green Frame & Sand Planks



The Polly Tuff Easy Access Table is available in 6ft. and 8 ft. lengths as well as a ADA Compliant option with an 8 ft. table-top and 6ft. benches. All are made with heavy-duty 2"x 10" recycled plastic lumber for strength and durability.



## ASM-PTEAHA Brown Frame & Weather Wood Planks

*See back of page for  
details and measurements*

**TERRA BOUND**  
SOLUTIONS™



Proudly made  
in the USA



Eco-Friendly Products



100% Recycled  
Product



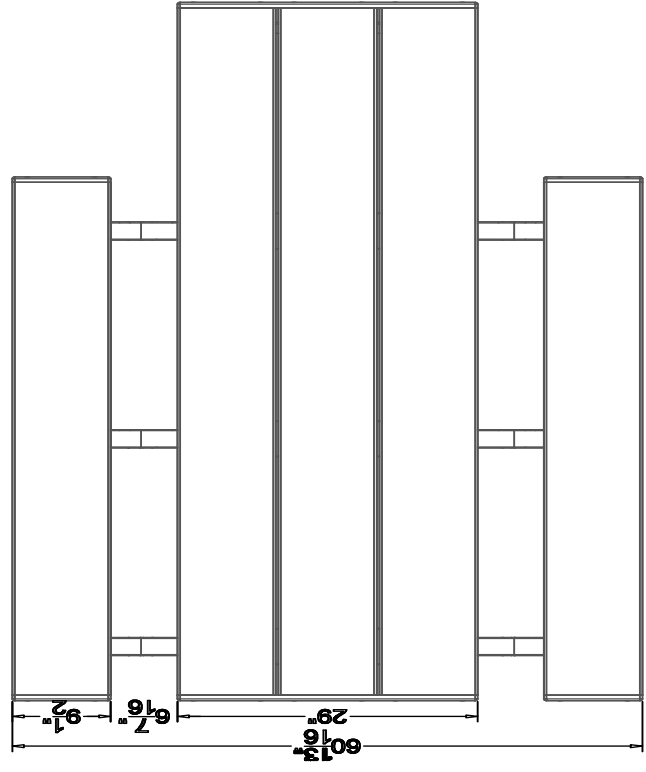
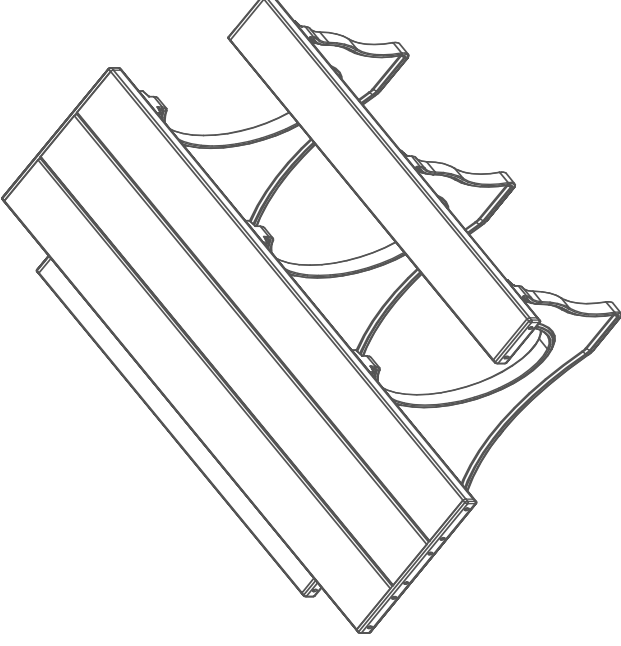
**1-877-857-2915**  
[terraboundsolutions.com](http://terraboundsolutions.com)

# Polly Tuff Easy Access ADA Compliant Table

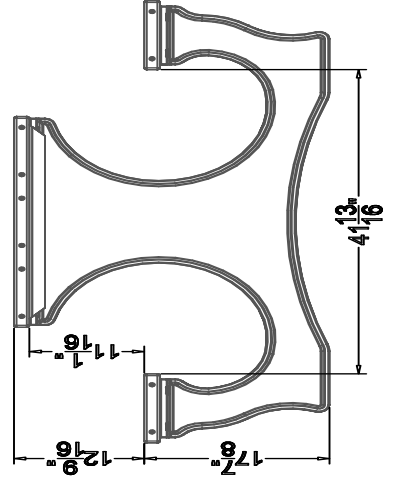
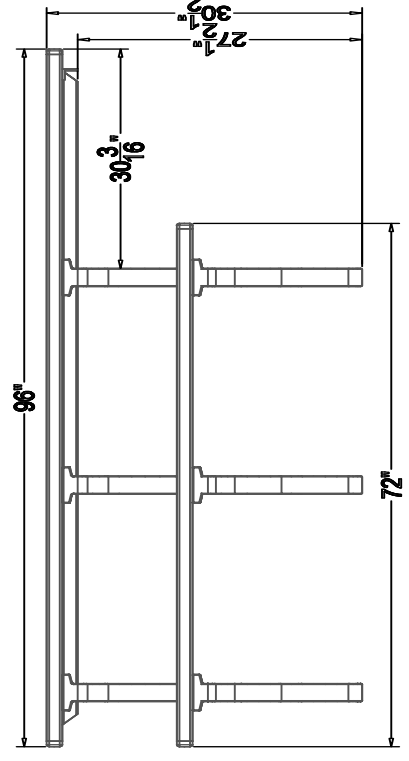
## Seat Color Options



- Heavy duty/weather resistant/maintenance free!
- No need to stain or paint
- Resists fading, peeling and graffiti as the color is molded all the way through
- Can be surface mounted with brackets (sold separately)
- Stainless steel fasteners do not corrode nor rust



**Weight Capacity**  
1,800 lbs  
**Product Weight**  
309 lbs



## Frame Color Options

