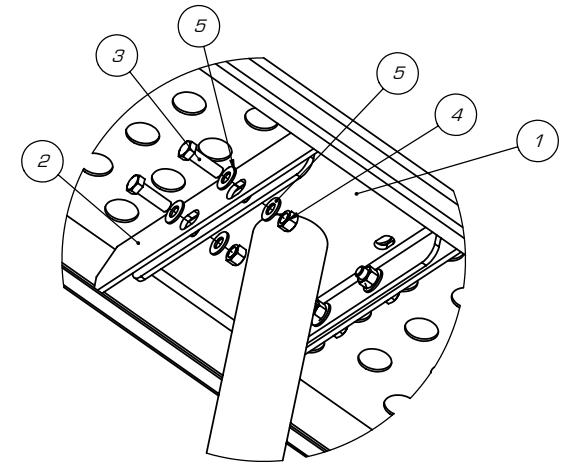
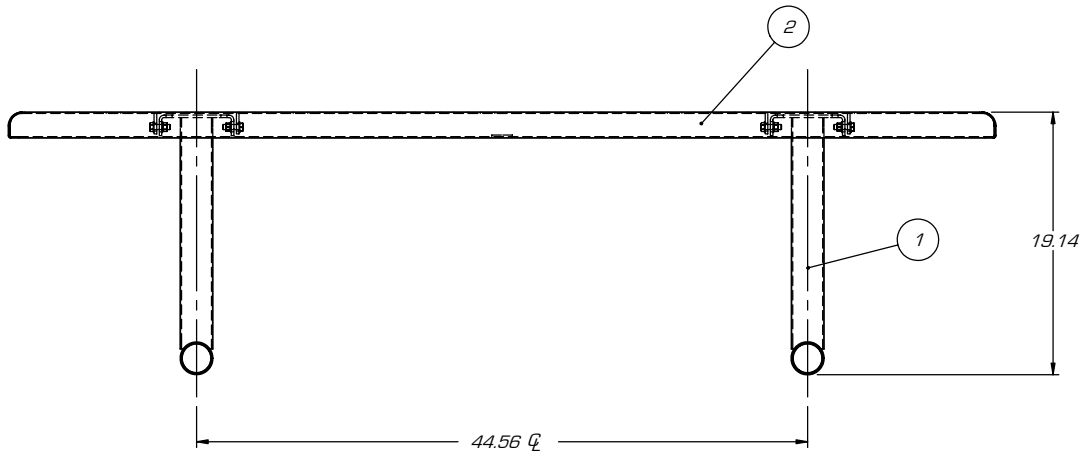
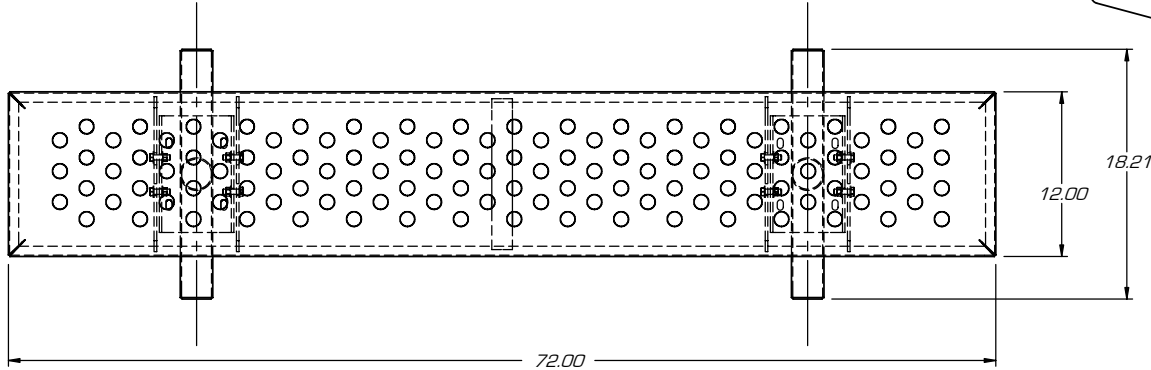
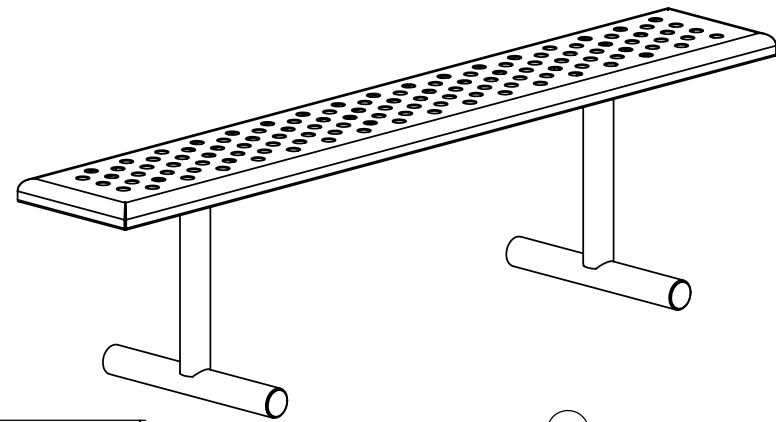
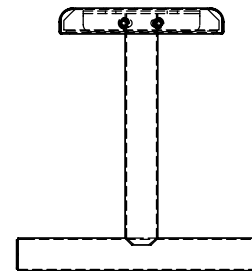


ASSEMBLY INSTRUCTIONS AND SPECIFICATIONS



SEAT FASTENING DETAIL

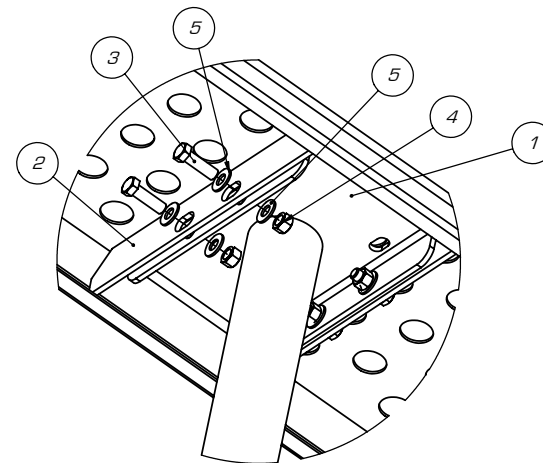
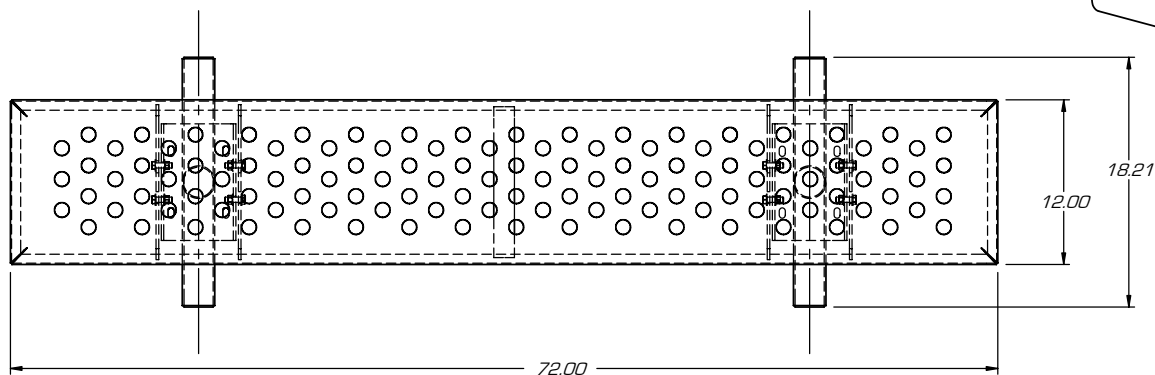
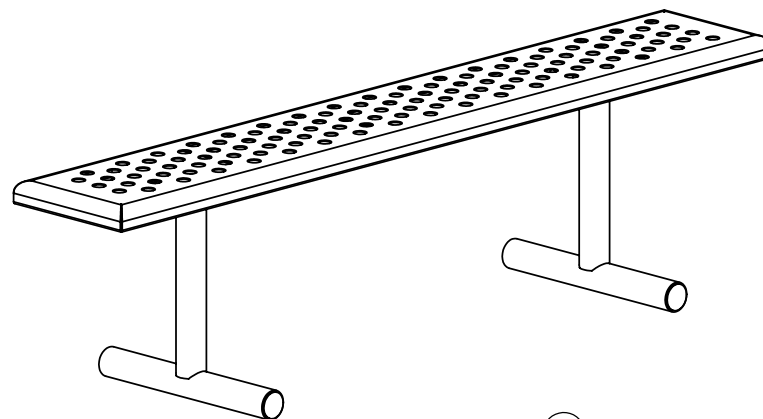


MATERIAL SPECIFICATIONS:
 TOPS & SEATS - 13 GA HR PLASTISOL COATED
 LEGS - 2-3/8" DIA x .095" ILG TUBING
 BRACKETS - 7 GA HR

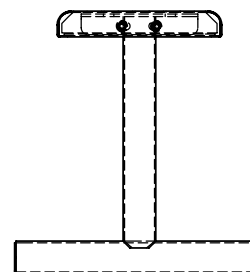
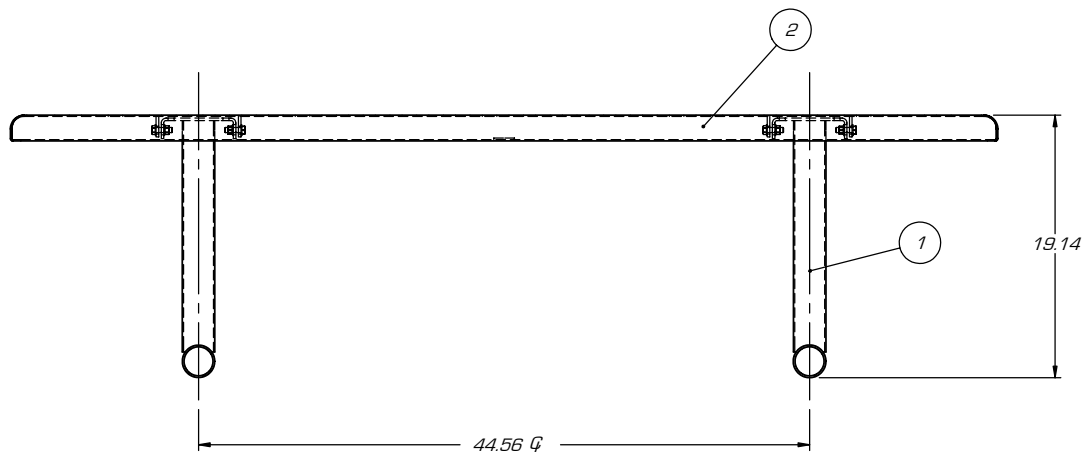
ITEM NO.	DESCRIPTION	PART NO.	QTY.
1	SPORTS BENCH LEG, SURFACE MOUNT ILG	51091300	2
2	6 FT PERF SEAT, PORTABLE SPORTS BENCH	51667100	1
3	3/8-16 x 1.25 HHCS SS	104067	8
4	HEX NUT, 3/8-16 SS	200009776	8
5	FLAT WASHER, 3/8 ANSI TYPE A SS	117005	16

SPORTS BENCH, PORTABLE, 6 FT PERFORATED STEEL, PAINTED
MODEL: SBS-6PS (71138600)

ASSEMBLY INSTRUCTIONS AND SPECIFICATIONS



SEAT FASTENING DETAIL



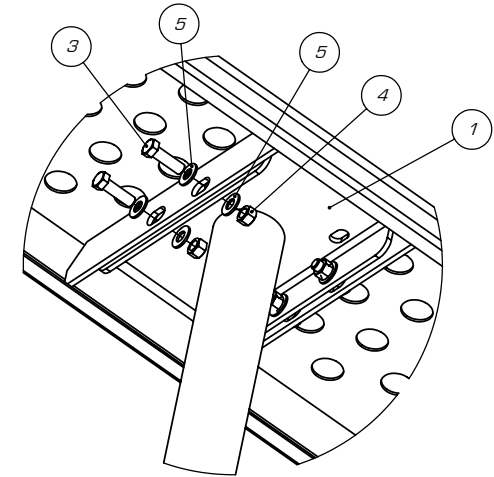
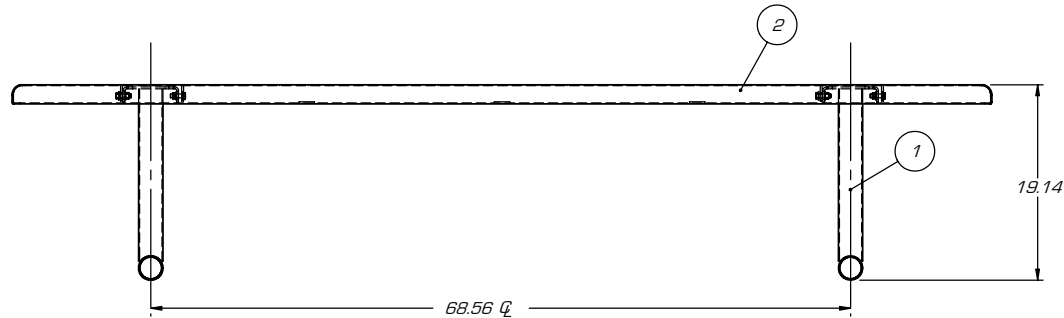
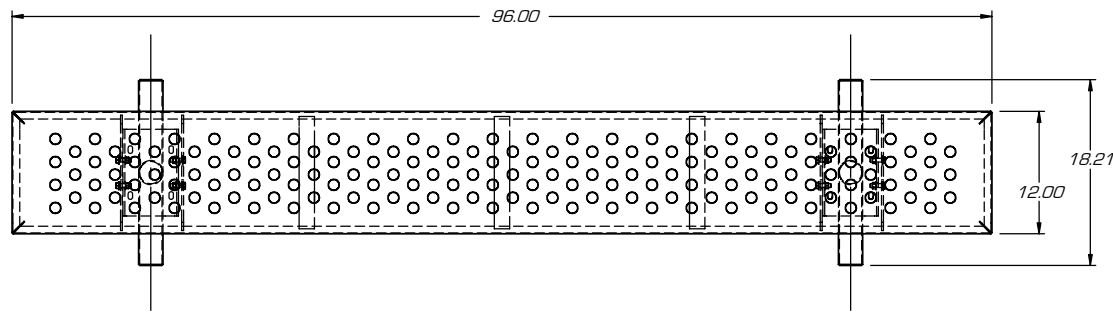
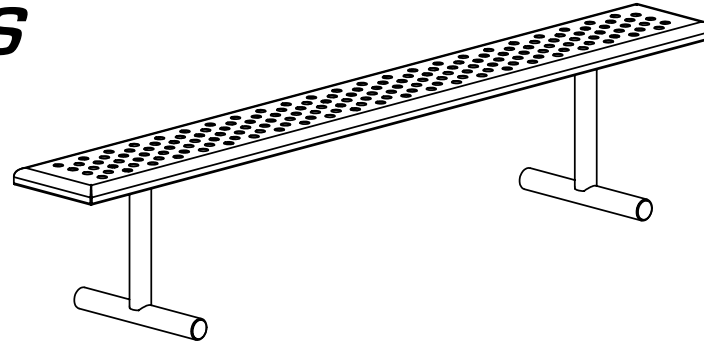
MATERIAL SPECIFICATIONS:
 TOPS & SEATS - 13 GA HR PLASTISOL COATED
 LEGS - 2-3/8" DIA x .125" HSS TUBING
 BRACKETS - 7 GA HR

ITEM NO.	DESCRIPTION	PART NO.	QTY.
1	SPORTS BENCH LEG, SURFACE MOUNT HSS	51140400	2
2	6 FT PERF SEAT, PORTABLE SPORTS BENCH	51667100	1
3	3/8-16 x 1.25 HHCS SS	104067	8
4	HEX NUT, 3/8-16 SS	200009776	8
5	FLAT WASHER, 3/8 ANSI TYPE A SS	117005	16

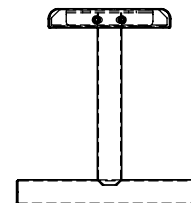
SPORTS BENCH, PORTABLE, 6 FT PERFORATED STEEL, GALV

MODEL: SBS-6GS (71138601)

ASSEMBLY INSTRUCTIONS AND SPECIFICATIONS



SEAT FASTENING DETAIL



MATERIAL SPECIFICATIONS:

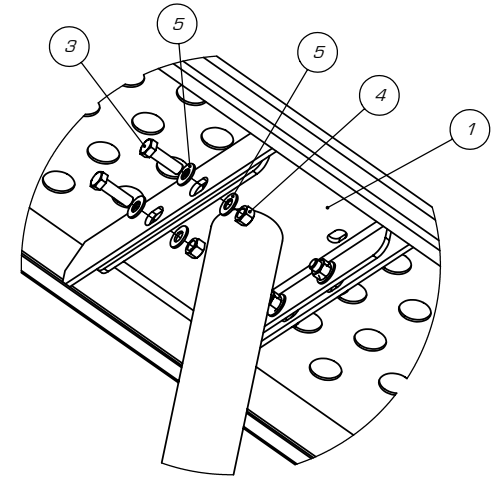
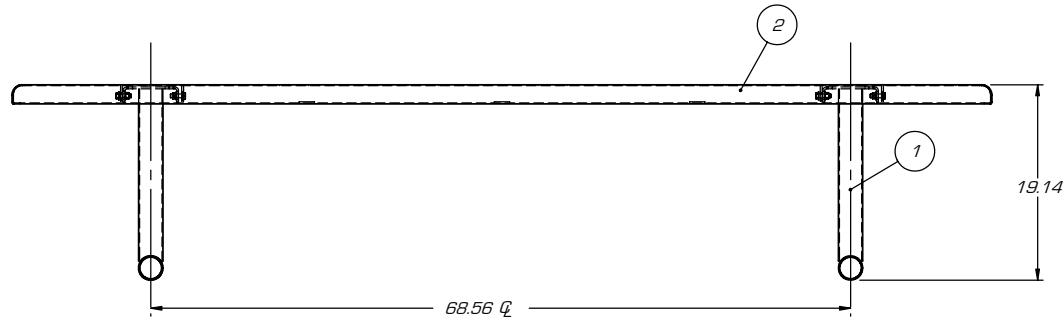
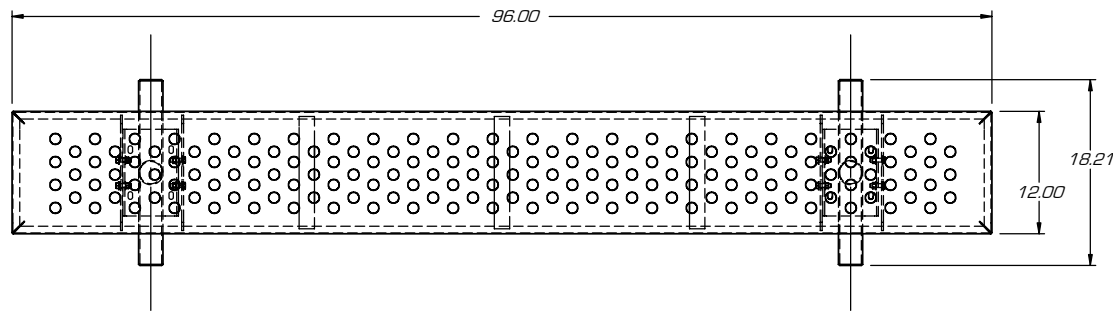
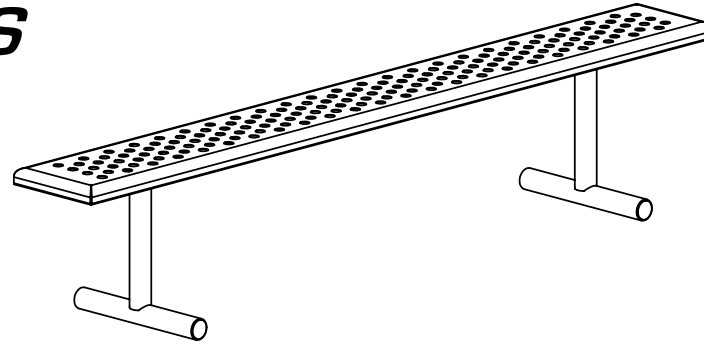
TOPS & SEATS - 13 GA HR PLASTISOL COATED
LEGS - 2-3/8" DIA x .095" ILG TUBING
BRACKETS - 7 GA HR

SPORTS BENCH, PORTABLE, 8 FT PERFORATED STEEL, PAINTED
MODEL: SBS-8PS (71138700)

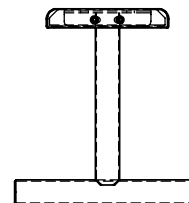
ITEM NO.	DESCRIPTION	PART NO.	QTY.
1	SPORTS BENCH LEG, SURFACE MOUNT ILG	51091300	2
2	8 FT PERF SEAT, PORTABLE SPORTS BENCH	51667900	1
3	3/8-16 x 1.25 HHCS SS	104067	8
4	HEX NUT, 3/8-16 SS	200009776	8
5	FLAT WASHER, 3/8 ANSI TYPE A SS	117005	16

UNLESS OTHERWISE SPECIFIED, DIMENSIONS ARE IN INCHES

ASSEMBLY INSTRUCTIONS AND SPECIFICATIONS



SEAT FASTENING DETAIL



MATERIAL SPECIFICATIONS:

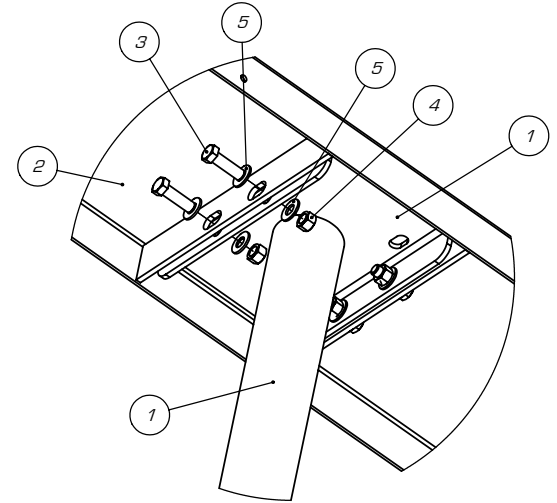
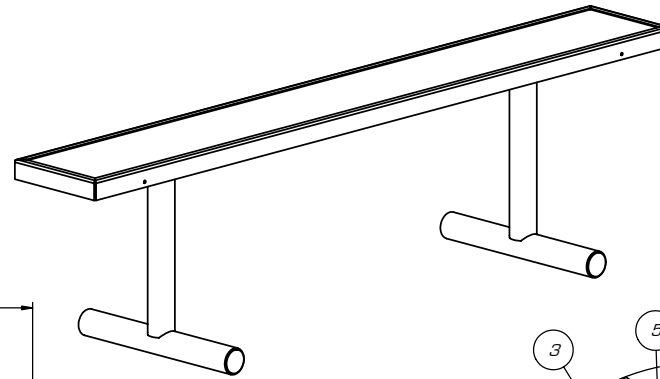
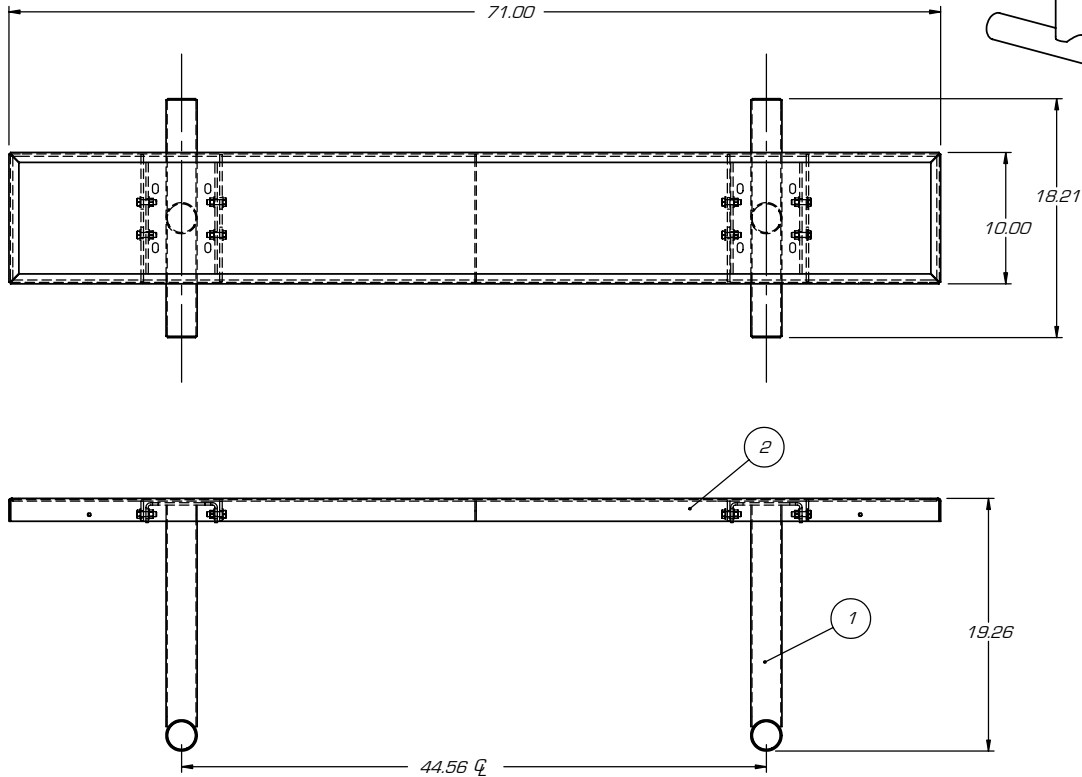
TOPS & SEATS - 13 GA HR PLASTISOL COATED
LEGS - 2-3/8" DIA x .125" HSS TUBING
BRACKETS - 7 GA HR

SPORTS BENCH, PORTABLE, 8 FT PERFORATED STEEL, GALV
MODEL: SBS-8GS (71138701)

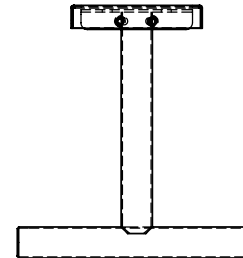
ITEM NO.	DESCRIPTION	PART NO.	QTY.
1	SPORTS BENCH LEG, SURFACE MOUNT HSS	51140400	2
2	8 FT PERF SEAT, PORTABLE SPORTS BENCH	51667900	1
3	3/8-16 x 1.25 HHCS SS	104067	8
4	HEX NUT, 3/8-16 SS	200009776	8
5	FLAT WASHER, 3/8 ANSI TYPE A SS	117005	16

UNLESS OTHERWISE SPECIFIED, DIMENSIONS ARE IN INCHES

ASSEMBLY INSTRUCTIONS AND SPECIFICATIONS



SEAT FASTENING DETAIL



MATERIAL SPECIFICATIONS:

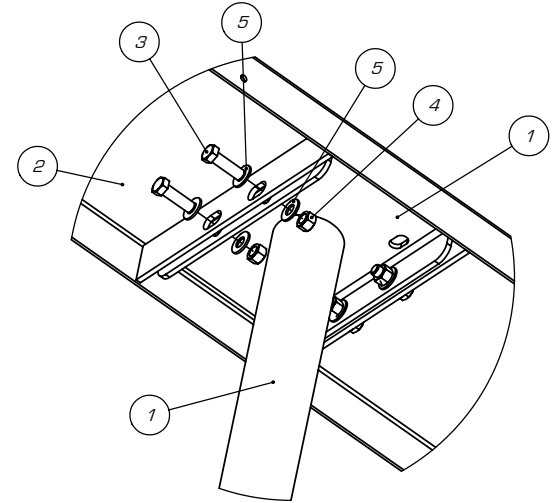
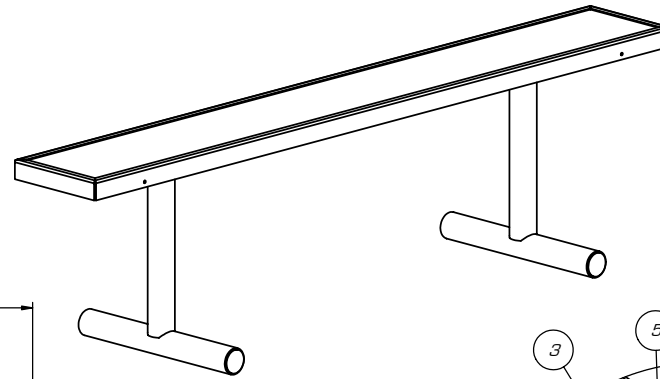
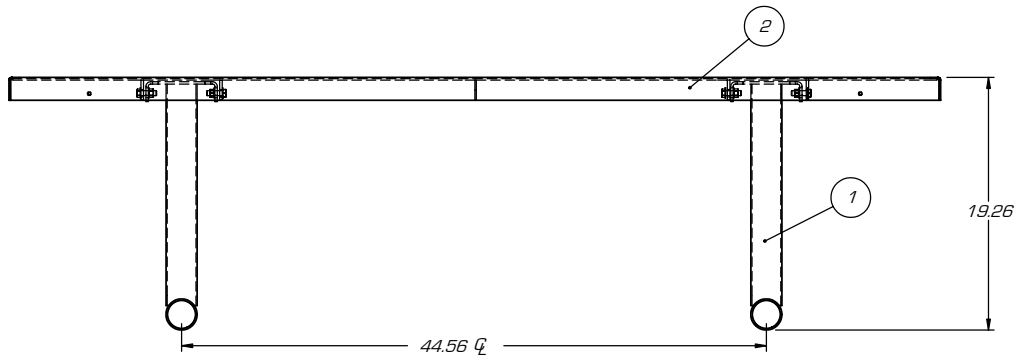
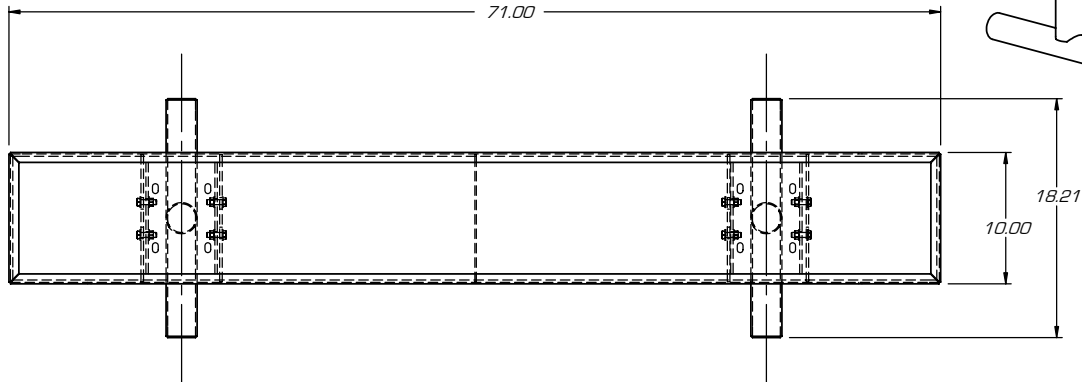
- TOPS & SEATS (SURFACE)
- 3/4 9F EXPANDED MESH PLASTISOL COATED
- TOPS & SEATS (FRAME)
- 11GA HR PLASTISOL COATED
- LEGS - 2-3/8" DIA x .095" ILG TUBING
- BRACKETS - 7 GA HR

**SPORTS BENCH, PORTABLE, 6 FT DIAMOND PERF, PAINT
MODEL: SBS-6PE (71138800)**

ITEM NO.	DESCRIPTION	PART NO.	QTY.
1	SPORTS BENCH LEG, SURFACE MOUNT ILG	51091300	2
2	EXPANDED MESH SEAT, 6 FT SPORTS BENCH	51094700	1
3	3/8-16 x 1.25 HHCS SS	104067	8
4	HEX NUT, 3/8-16 SS	200009776	8
5	FLAT WASHER, 3/8 ANSI TYPE A SS	117005	16

UNLESS OTHERWISE SPECIFIED, DIMENSIONS ARE IN INCHES

ASSEMBLY INSTRUCTIONS AND SPECIFICATIONS



SEAT FASTENING DETAIL

MATERIAL SPECIFICATIONS:

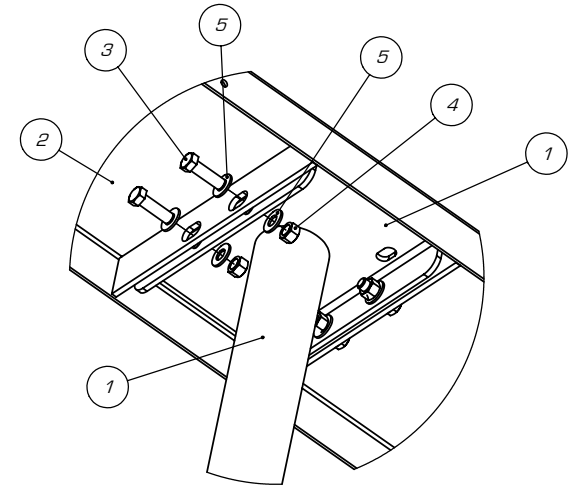
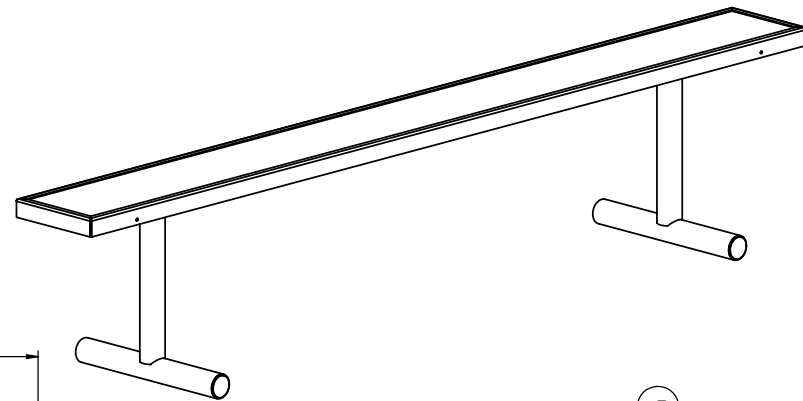
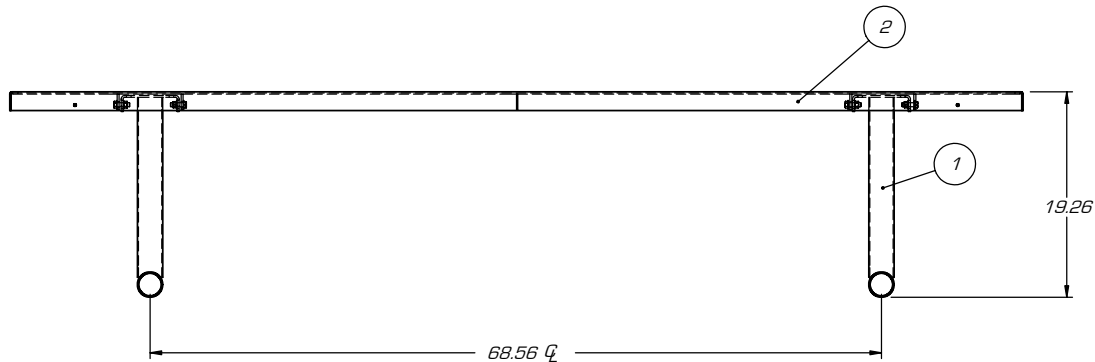
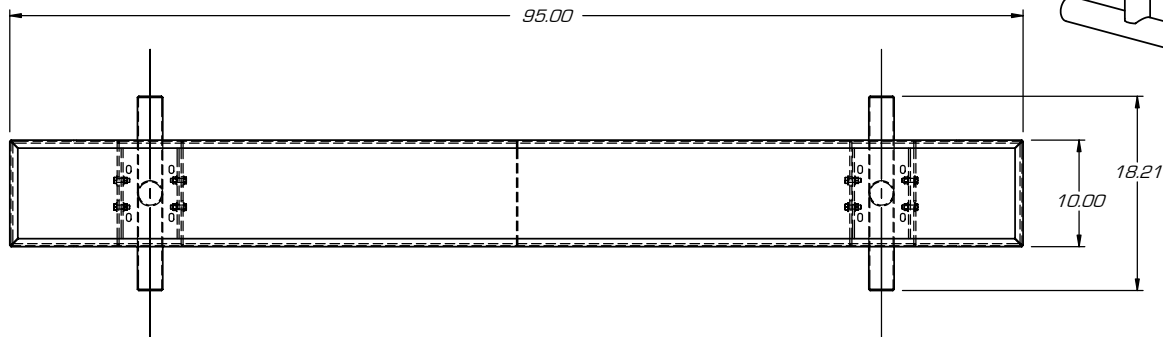
- TOPS & SEATS (SURFACE)
- 3/4 9F EXPANDED MESH PLASTISOL COATED
- TOPS & SEATS (FRAME)
- 11GA HR PLASTISOL COATED
- LEGS - 2-3/8" DIA x .125" HSS TUBING
- BRACKETS - 7 GA HR

**SPORTS BENCH, PORTABLE, 6 FT DIAMOND PERF, GALV
MODEL: SBS-6GE (71138801)**

ITEM NO.	DESCRIPTION	PART NO.	QTY.
1	SPORTS BENCH LEG, SURFACE MOUNT HSS	51140400	2
2	EXPANDED MESH SEAT, 6 FT SPORTS BENCH	51094700	1
3	3/8-16 x 1.25 HHCS SS	104067	8
4	HEX NUT, 3/8-16 SS	200009776	8
5	FLAT WASHER, 3/8 ANSI TYPE A SS	117005	16

UNLESS OTHERWISE SPECIFIED, DIMENSIONS ARE IN INCHES

ASSEMBLY INSTRUCTIONS AND SPECIFICATIONS



SEAT FASTENING DETAIL

MATERIAL SPECIFICATIONS:

- TOPS & SEATS (SURFACE)
- 3/4 9F EXPANDED MESH PLASTISOL COATED
- TOPS & SEATS (FRAME)
- 11GA HR PLASTISOL COATED
- LEGS - 2-3/8" DIA x .095" ILG TUBING
- BRACKETS - 7 GA HR

SPORTS BENCH, PORTABLE, 8 FT DIAMOND PERF, PAINTED
MODEL: SBS-8PE (71138900)

ITEM NO.	DESCRIPTION	PART NO.	QTY.
1	SPORTS BENCH LEG, SURFACE MOUNT ILG	51091300	2
2	EXPANDED MESH SEAT, 8 FT SPORTS BENCH	51094600	1
3	3/8-16 x 1.25 HHCS SS	104067	8
4	HEX NUT, 3/8-16 SS	200009776	8
5	FLAT WASHER, 3/8 ANSI TYPE A SS	117005	16

UNLESS OTHERWISE SPECIFIED, DIMENSIONS ARE IN INCHES