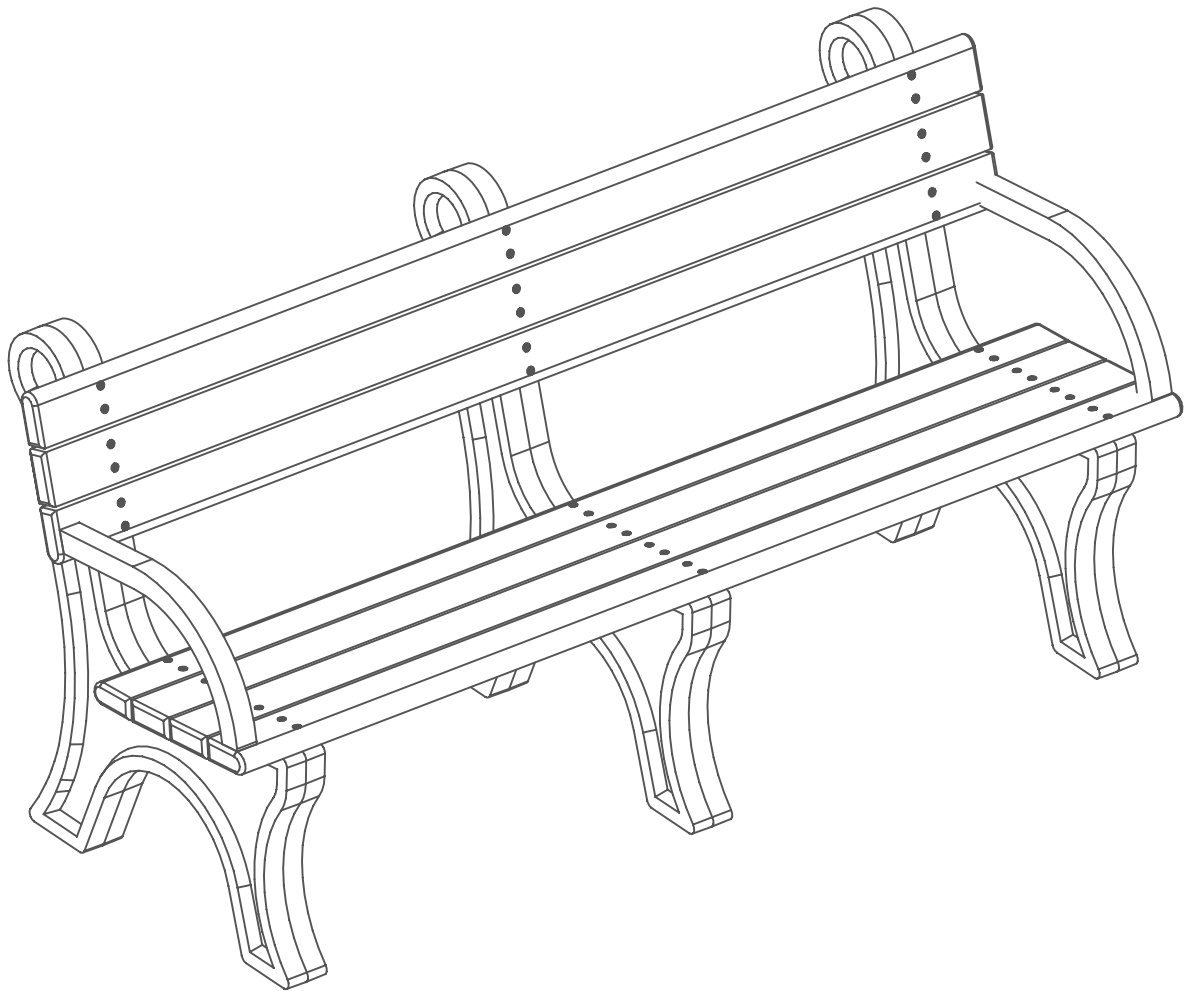


# 6 Foot Park Classic Bench w/ Arms

For Fastener Pack  
(FP-PC6BA-CU-01)



Congratulations !!

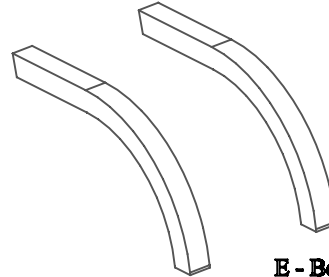
You have just purchased the finest recycled plastic  
park bench available. Enjoy !!!

Before assembly, please make sure all components are included.



(1) - One Fastener Pack  
FP-PC6BA-CU-01

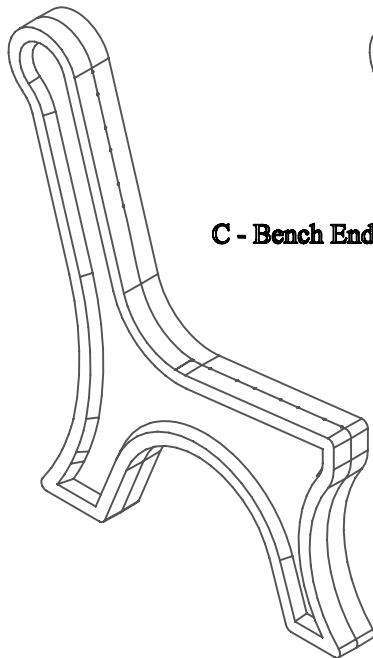
FP - Fastener Pack



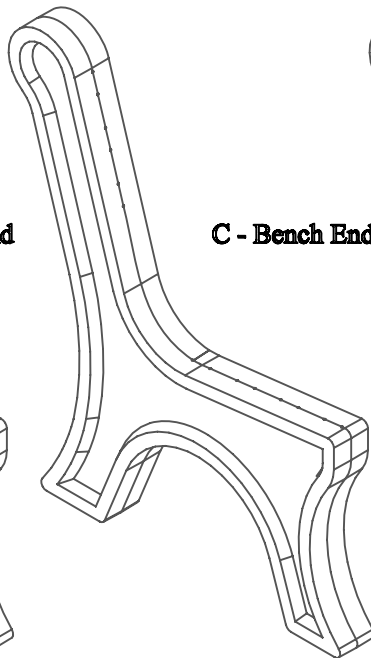
(2) - Two Bench Arms  
BP-BA-A-01

E - Bench Arm

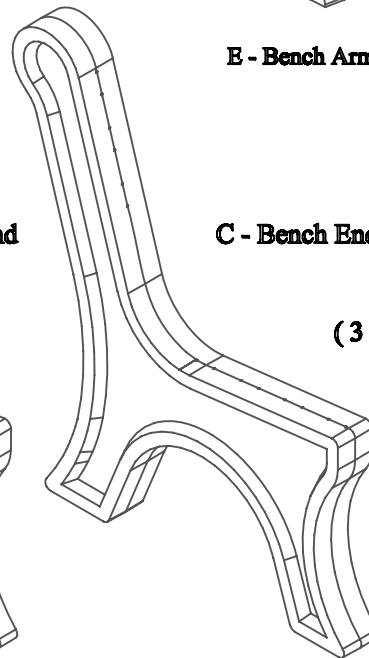
E - Bench Arm



C - Bench End



C - Bench End



C - Bench End

(3) - Three Bench Ends  
PS-BTBE-A-01

•	A - Bench Board	•
•	A - Bench Board	•
•	A - Bench Board	•

(3) - Three Bench Boards  
BP-DB6B-A-02

•	B - Bull Nose Bench Board	•
•	B - Bull Nose Bench Board	•

(2) - Two Bull Nose  
Bench Boards  
BP-PC6B-A-01

•	D - Bull Nose Bench Board w/ Arm holes	•
•	D - Bull Nose Bench Board w/ Arm holes	•

(2) - Two Bull Nose  
Bench Boards w/ Arm holes  
BP-PC6BA-A-01

FS-PC6BA-CAP-01

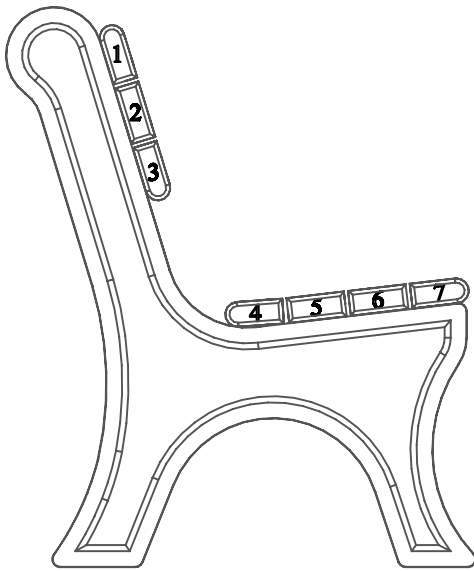
Before assembly, please make sure all fasteners are included.

46 - #12 x 3" Flat Head Phillips Screw



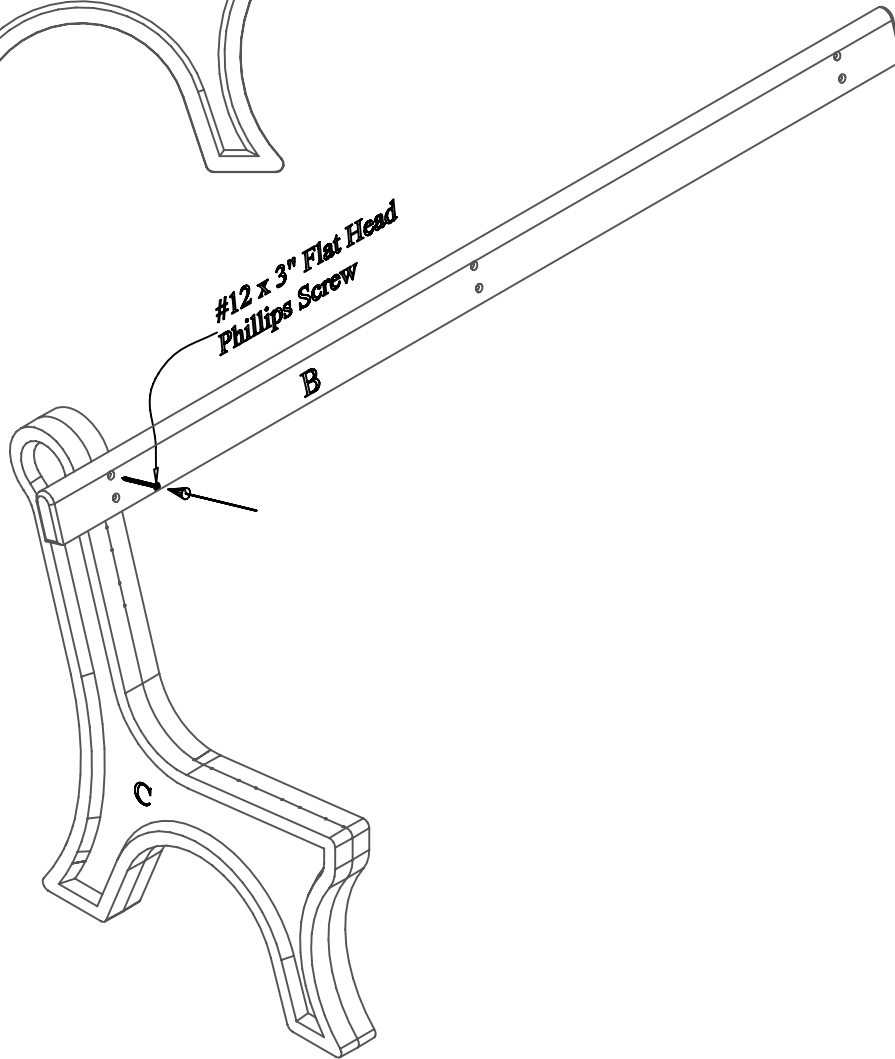
Also needed for this assembly will be the following materials:

1 - #3 Phillips Drive Bit



**Fig #1:**

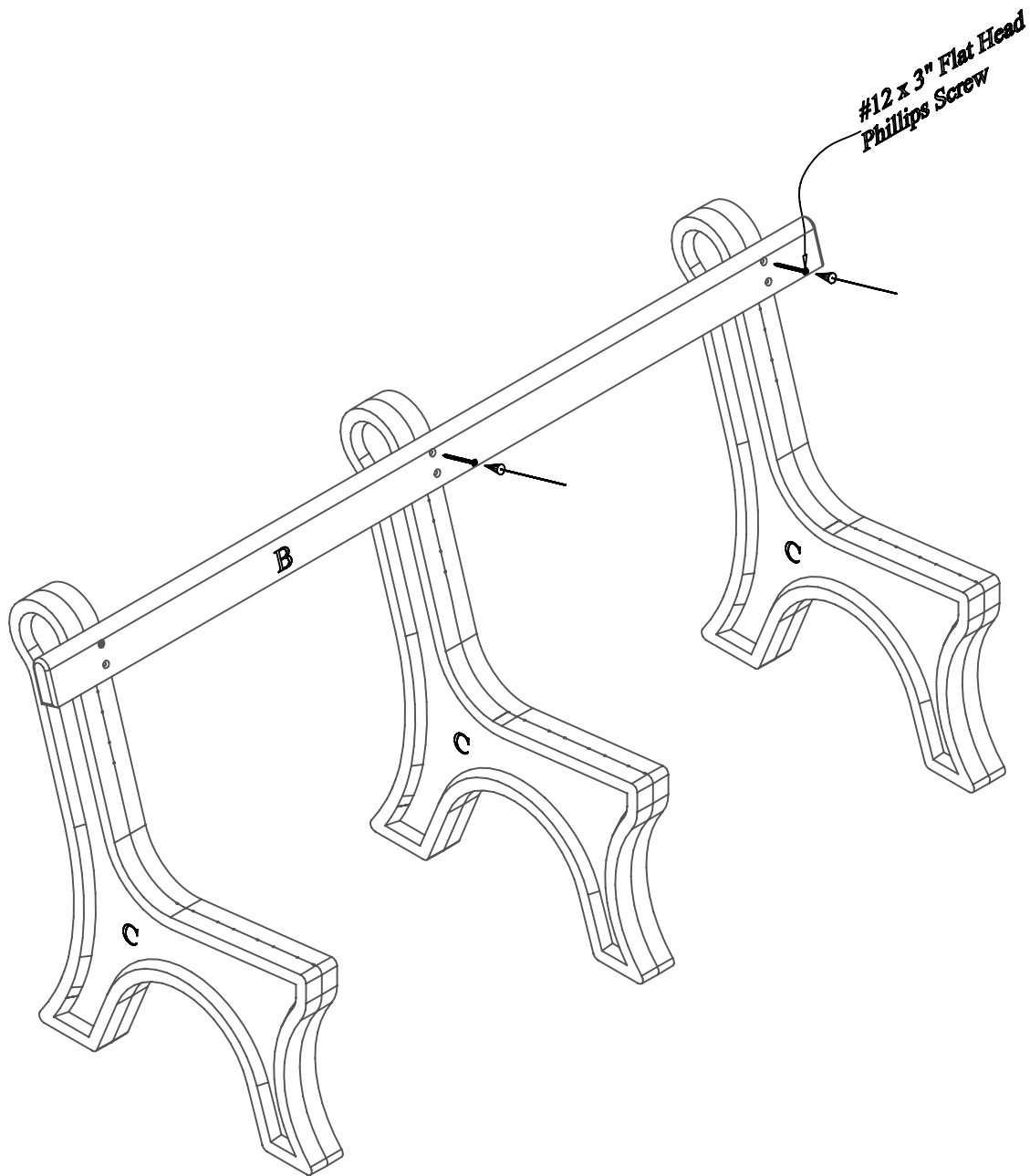
In order to make the assembly of this Park Classic Bench easier while going through the assembly process the board positions are numbered and will be referenced in later steps.



**Step #1:**

Stand (1) One bench end upright and place (1) One bull nose bench board as shown above in position 1 being sure to align the pre-drilled holes to the pilot holes in the bench end. After the holes are properly aligned, fasten with (1) One #12 x 3" Flat Head Phillips Screw in the top pre-drilled hole.

Note: Do not tighten screw completely. This will be done in a later step.



### Step #2:

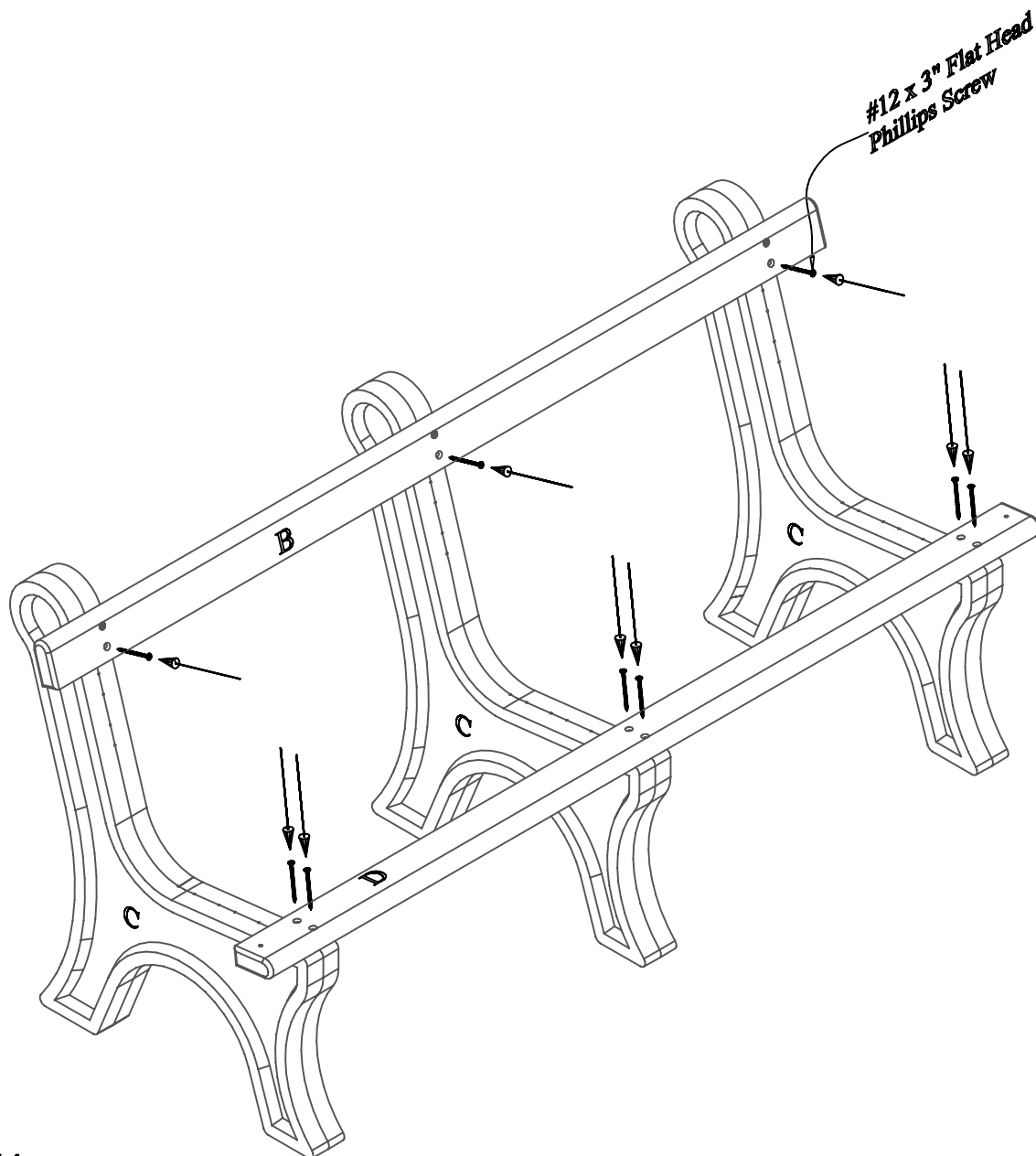
Stand the other (2) Two bench ends upright, one at a time, and place the bench board already attached to the first bench end, on position 1 being sure to align the pre-drilled holes to the pilot holes in the bench end. After the holes are properly aligned, fasten with (1) One #12 x 3" Flat Head Phillips Screw in the top pre-drilled hole.

Note: Do not tighten screws completely. This will be done in a later step.

### Step #3:

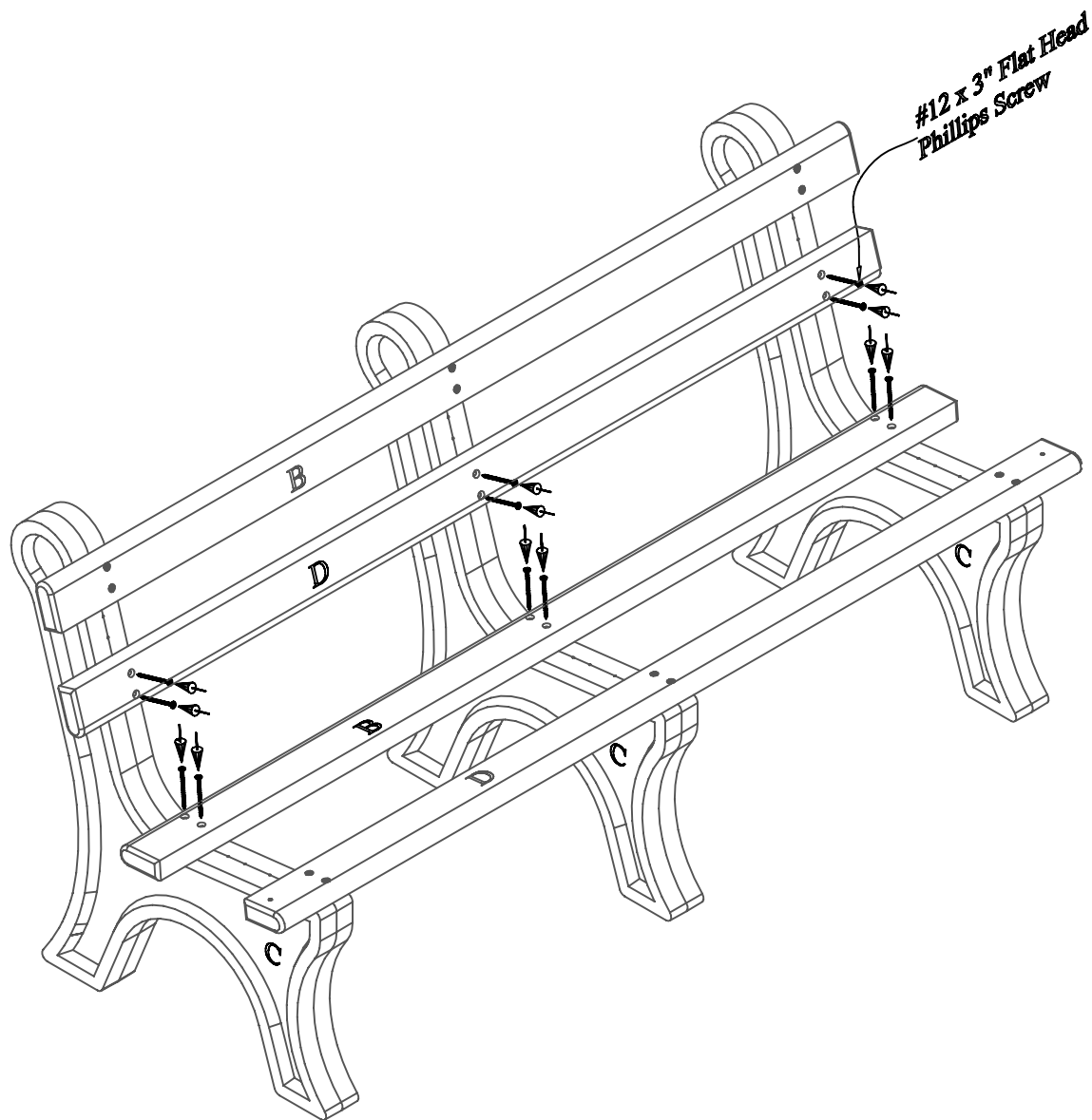
Align the bottom pre-drilled holes to the pilot holes in the bench end. After the holes are properly aligned, fasten with (1) One #12 x 3" Flat Head Phillips Screw per hole.

Note: Be sure to tighten screws completely after this step.



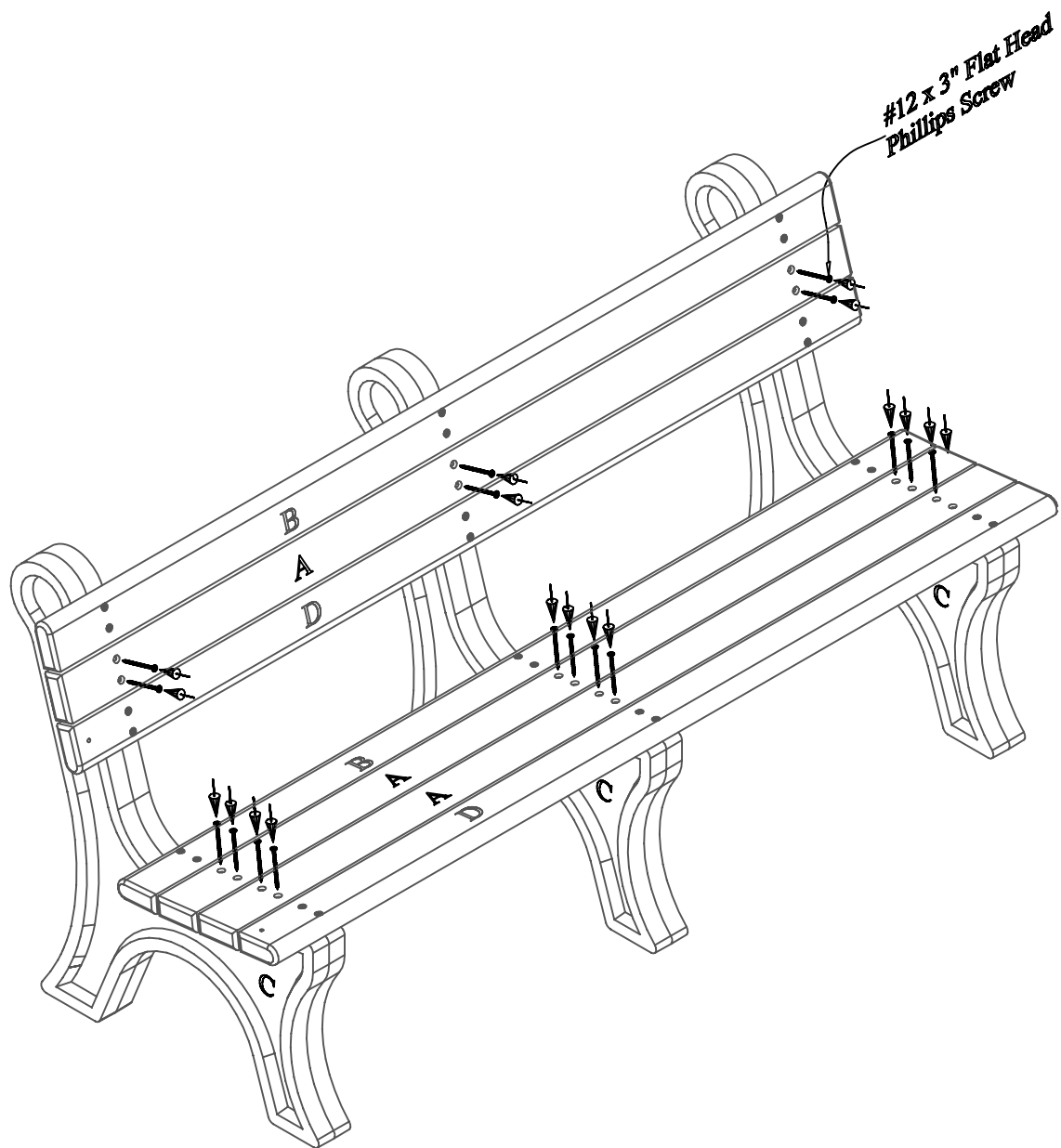
### Step #4:

Place a bull nose bench board w/ Arm holes on position 7 as shown above. Repeat Steps 1 - 3 to attach. Use (1) One #12 x 3" Flat Head Phillips Screw per hole to fasten.



**Step #5:**

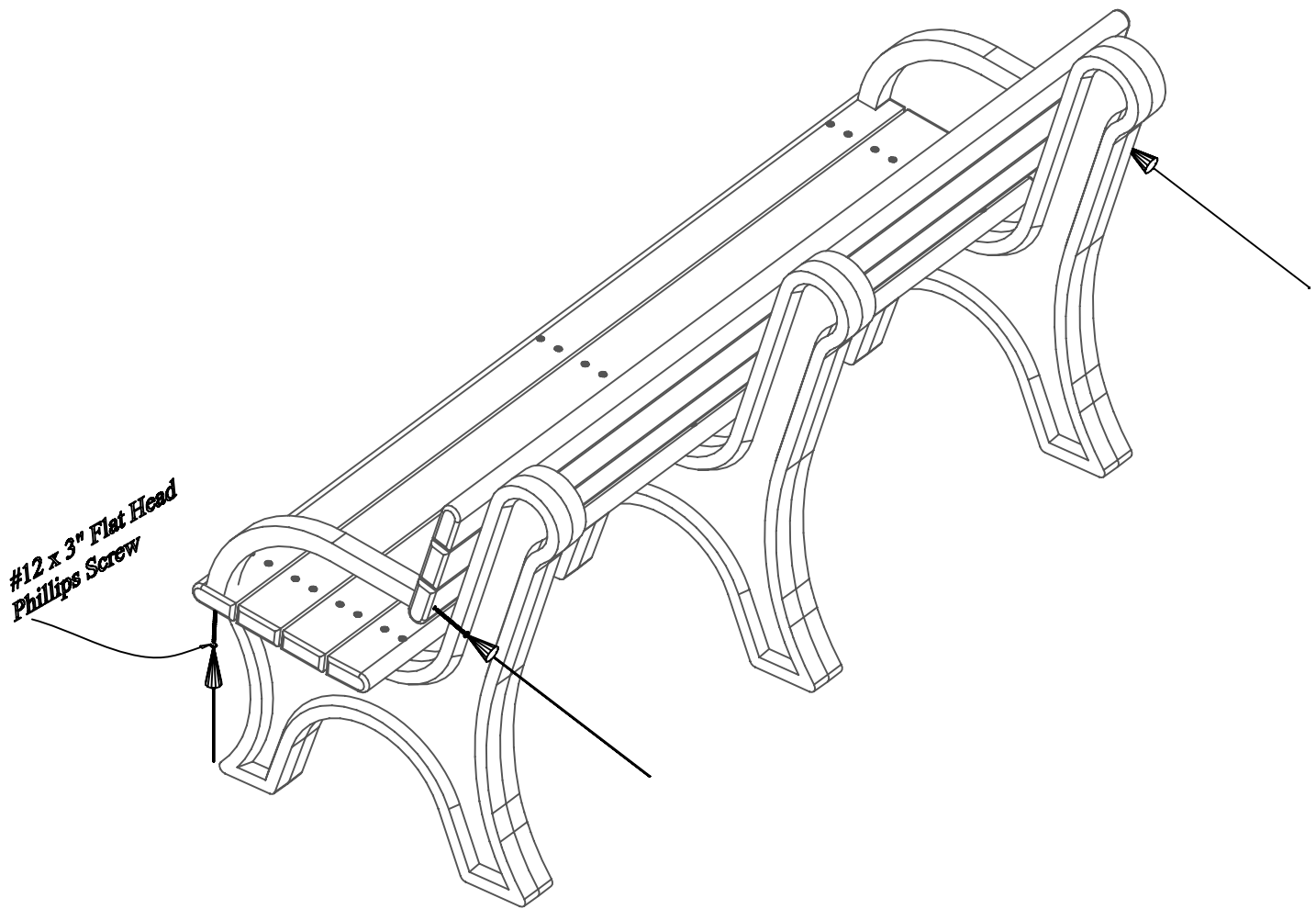
Repeat Steps 1 - 3 to attach (1) one bull nose bench board w/ arm holes on position 3 & (1) one bull nose bench board on position 4 as shown above. Use (1) One #12 x 3" Flat Head Phillips Screw per hole to fasten.



**Step #6:**

Repeat Steps 1 - 3 to attach bench boards on positions 2, 5 & 6. Use (1) One #12 x 3" Flat Head Phillips Screw per hole to fasten.





**Step #7:**

Align the pilot holes on the Arm to the pre-drilled holes on the bullnose bench boards w/ arm holes (C). After the holes are properly aligned, fasten with (1) One #12 x 3" Phillips head screw per hole to fasten.