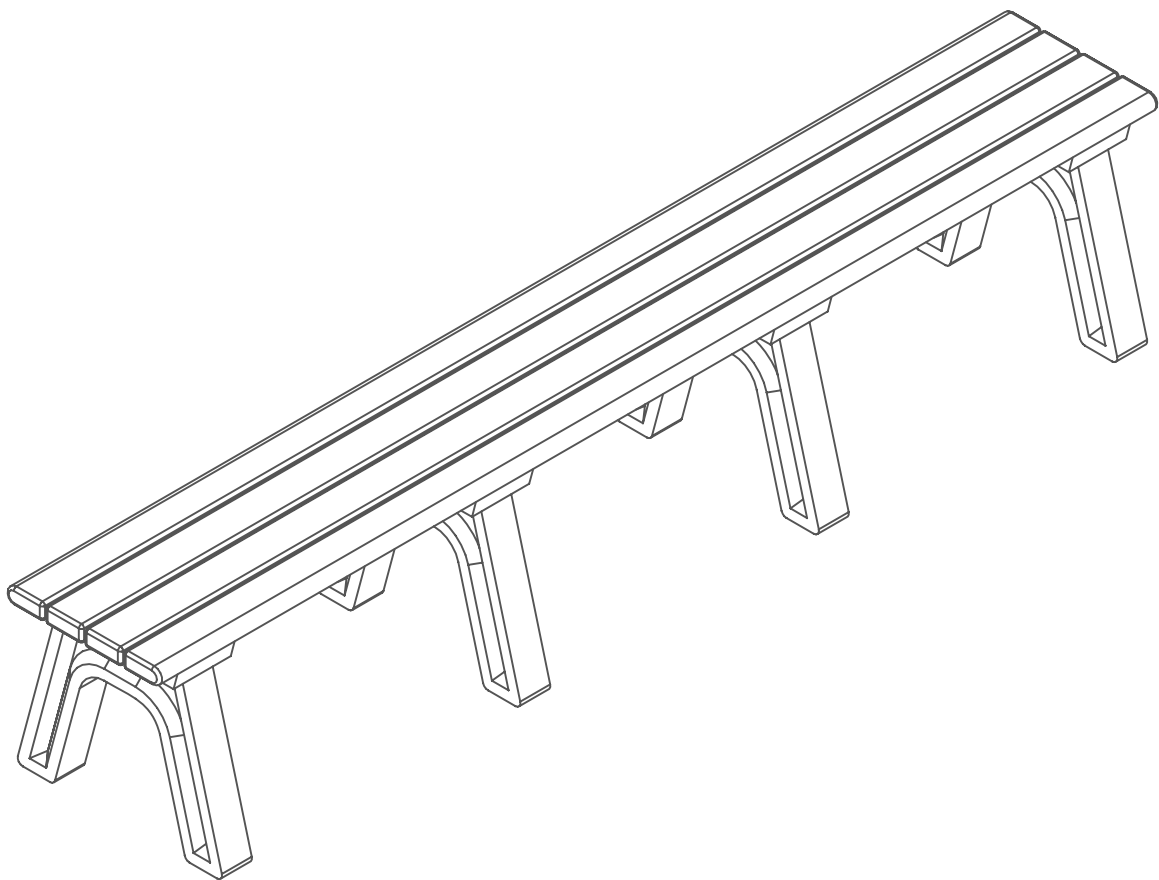


8 Foot Park Classic Flat Bench

For Fastener Pack
(FP-PC8F-CU-01)



Congratulations !!

You have just purchased the finest recycled plastic
park bench available. Enjoy !!!

Before assembly, please make sure all components are included.



(1) - One Fastener Pack
FP-PC8F-CU-01

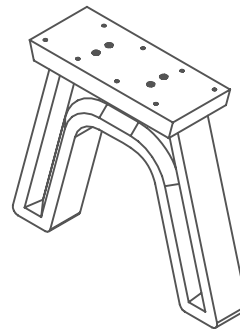
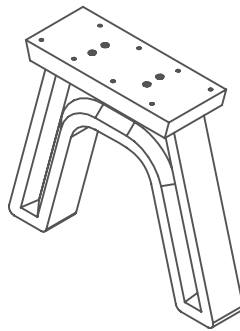
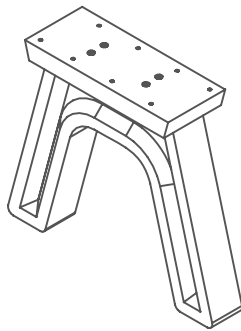
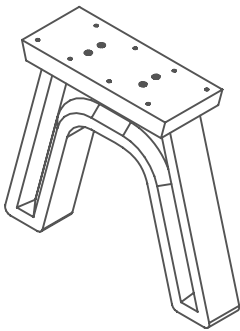
FP - Fastener Pack

C - Bench End

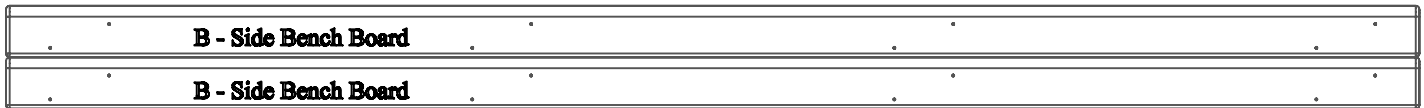
C - Bench End

C - Bench End

C - Bench End



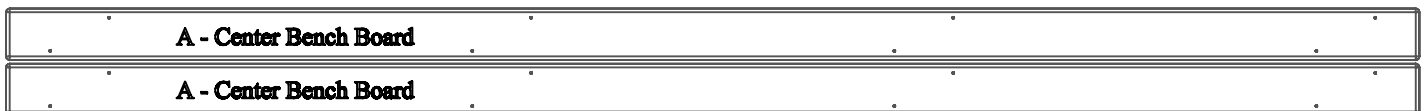
(4) - Four Bench Ends
BSA-FME-B-01



B - Side Bench Board

B - Side Bench Board

(2) - Two Side Bench Boards
BP-PC8F-A-01



A - Center Bench Board

A - Center Bench Board

(2) - Two Center Bench Boards
BP-DB8F-A-01

Before assembly, please make sure all fasteners are included.

32 - #12 x 2 1/2" Flat Head Phillips Screw

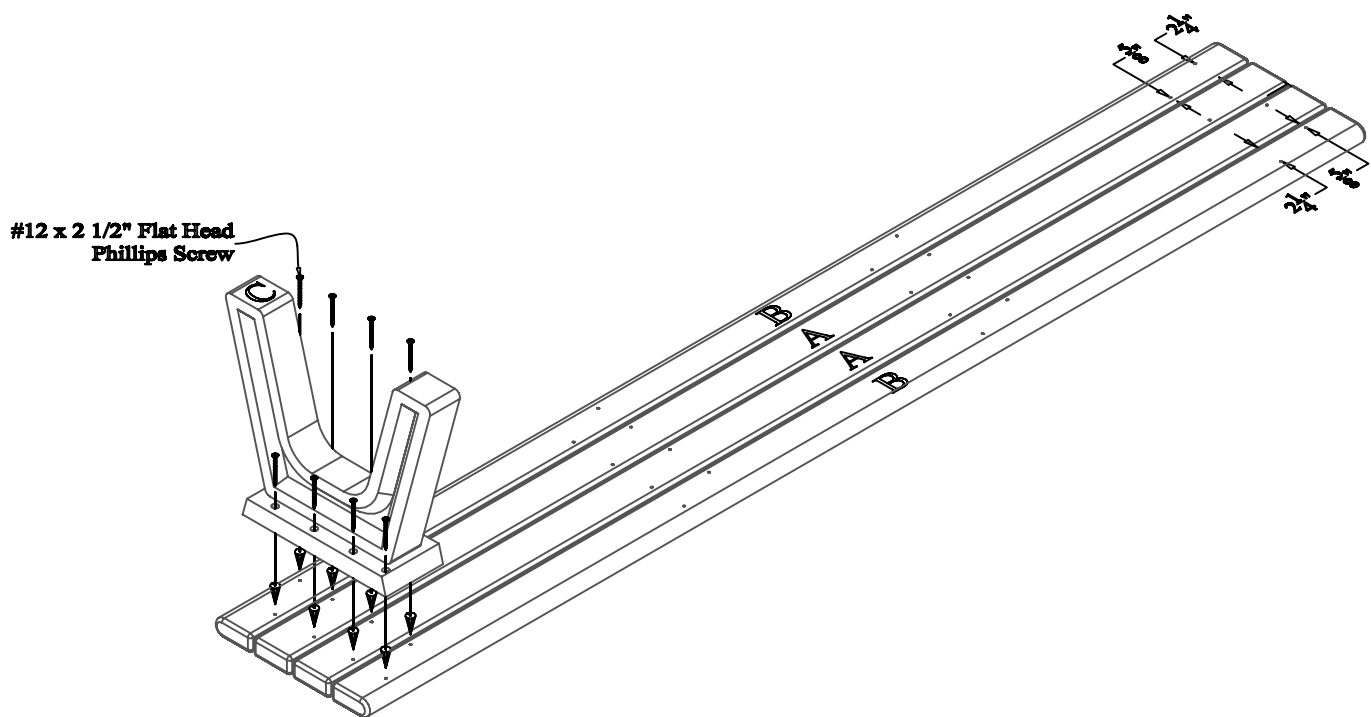


Also needed for this assembly will be the following materials:

1 - #3 Phillips Drive Bit

Step #1:

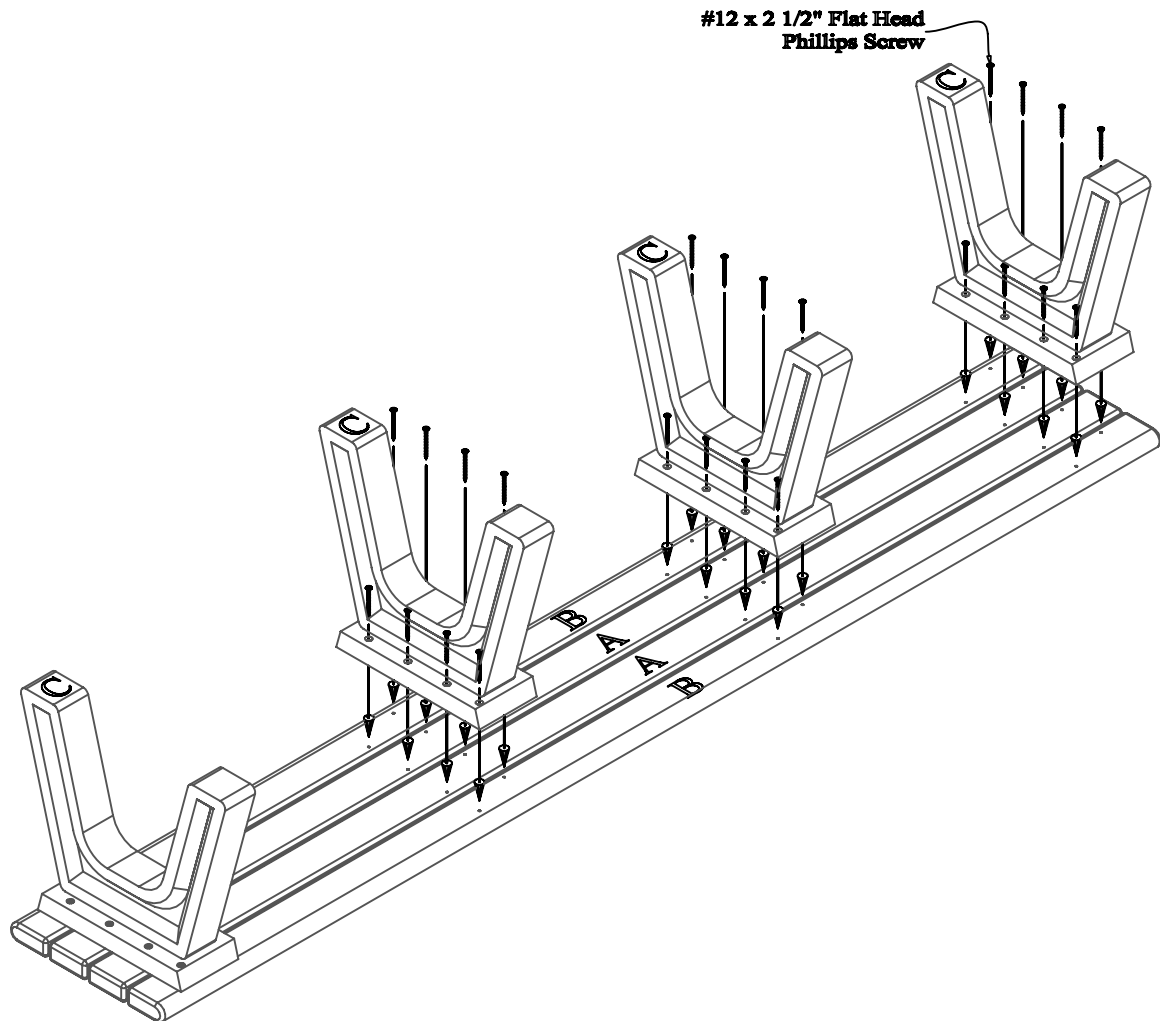
Place the Center Bench Boards on a level surface with the pilot holes facing up. On each side of the Center Bench Boards place (1) One Bull Nose Bench Board with the pilot holes closest to the Center Bench Board and facing up.



Step #2:

Place (1) One Bench End in position as shown above being sure to align the pre-drilled holes to the pilot holes in the bench boards. After the holes are properly aligned, fasten with (1) One #12 x 2 1/2" Flat Head Phillips Screw per hole to secure.

Note: Do not tighten screw completely. This will be done in a later step.



Step #3:

Place the last (3) Three Bench Ends in position as shown above being sure to align the pre-drilled holes to the pilot holes in the bench boards. After the holes are properly aligned, fasten with (1) One #12 x 2 1/2" Flat Head Phillips Screw per hole to secure.

Note: Be sure to tighten all screw completely after this step.