

The Open Hexagon Table

ASM-OHT • ASM-OHTHA

ASM-OHT

Brown Frame
Weather Wood Planks



The Open Hexagon is one of our most popular picnic tables. Built from standard sized 2"x 4", 2"x6" and 2"x10" planks made out of recycled plastic, the engineered design delivers structural strength with easy-access seating for 6. The Open Hexagon is also available in an accessible version that provides wheelchair access.



ASM-OHTHA

Green Frame
Cedar Planks

With one seat removed for wheelchair access, make this table a great community table.

See back of page for
details and measurements

TERRA BOUND
SOLUTIONS™



Proudly made
in the USA



Eco-Friendly Products



100% Recycled
Product



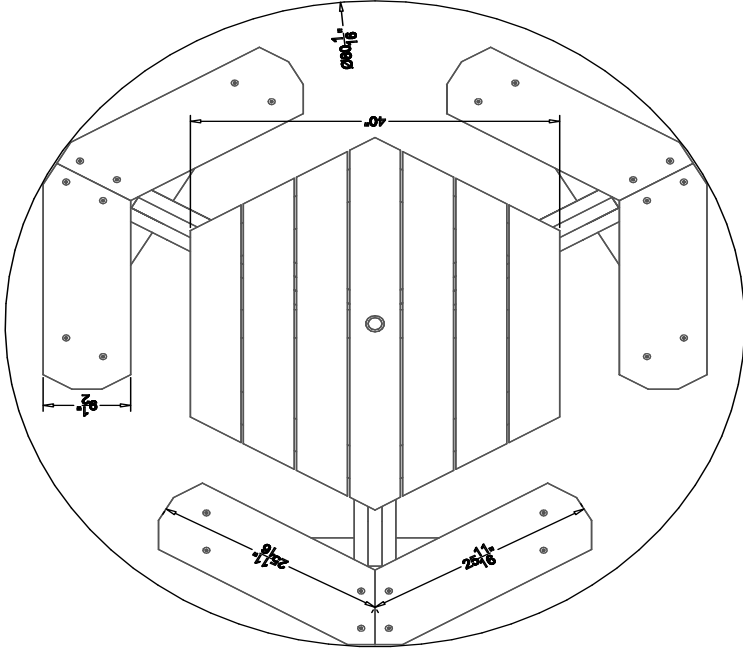
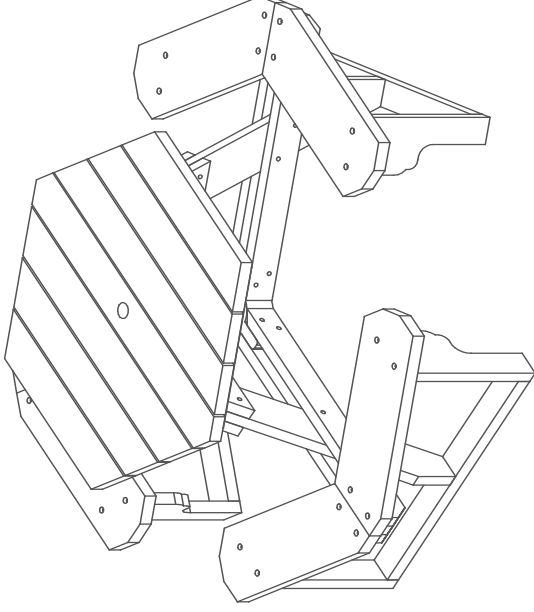
1-877-857-2915
terraboundsolutions.com

Open Hexagon Table

Seat Color Options



- Heavy duty/weather resistant/maintenance free!
- No need to stain or paint
- Resists fading, peeling and graffiti as the color is molded all the way through
- Can be surface mounted with brackets (sold separately)
- Stainless steel fasteners do not corrode nor rust

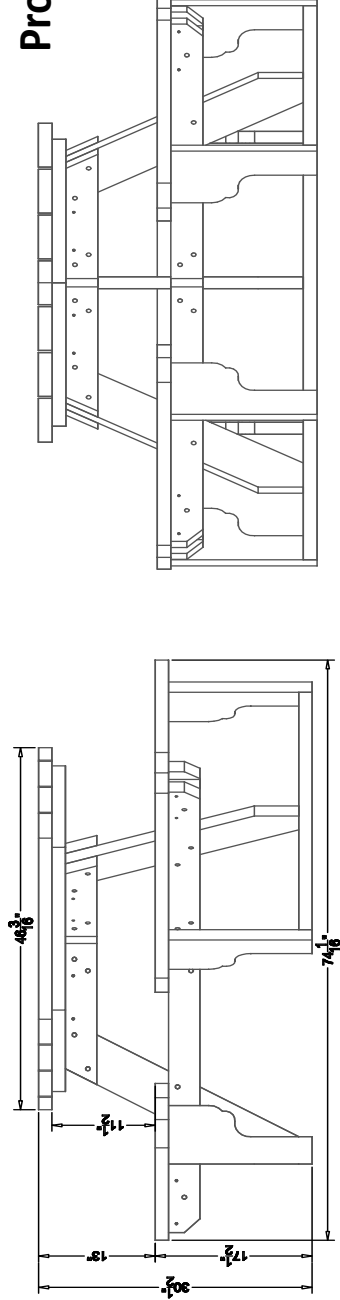


Weight Capacity

1,350 lbs

Product Weight

267 lbs



Frame Color Options

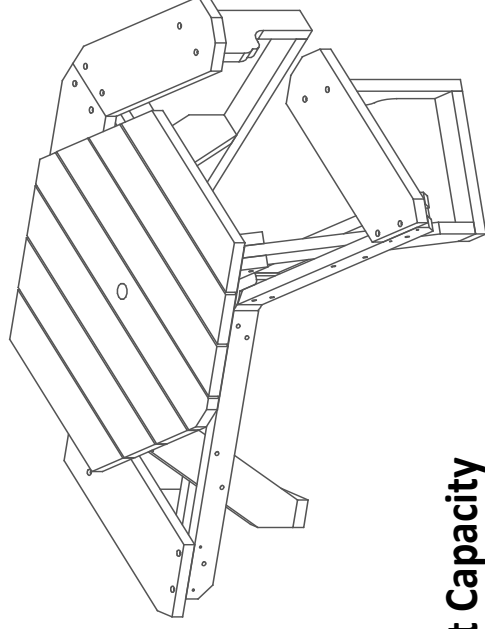
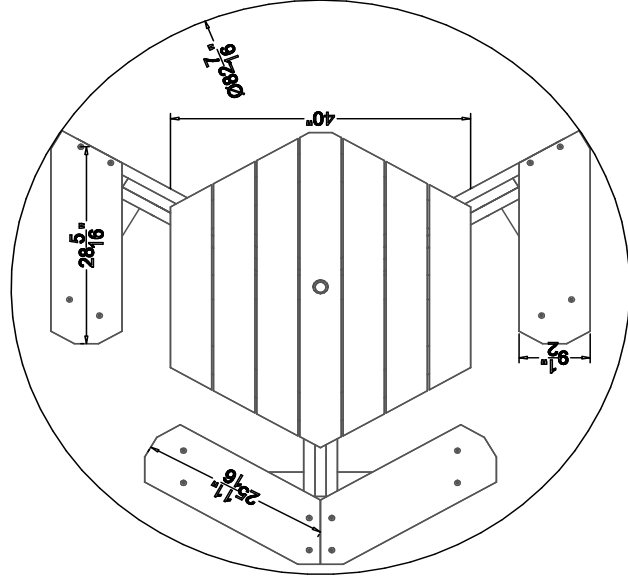


Open Hexagon Universal Access Picnic Table

Seat Color Options



- Heavy duty/weather resistant/maintenance free!
- No need to stain or paint
- Resists fading, peeling and graffiti as the color is molded all the way through
- Can be surface mounted with brackets (sold separately)
- Stainless steel fasteners do not corrode nor rust

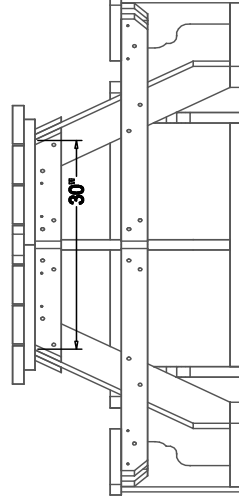
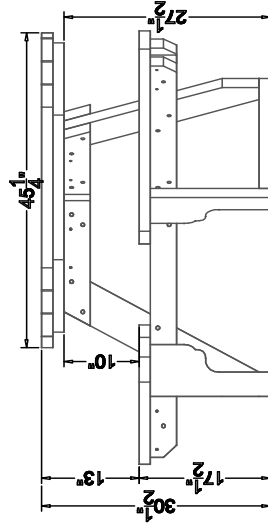


Weight Capacity

1,350 lbs

Product Weight

235 lbs



Frame Color Options

