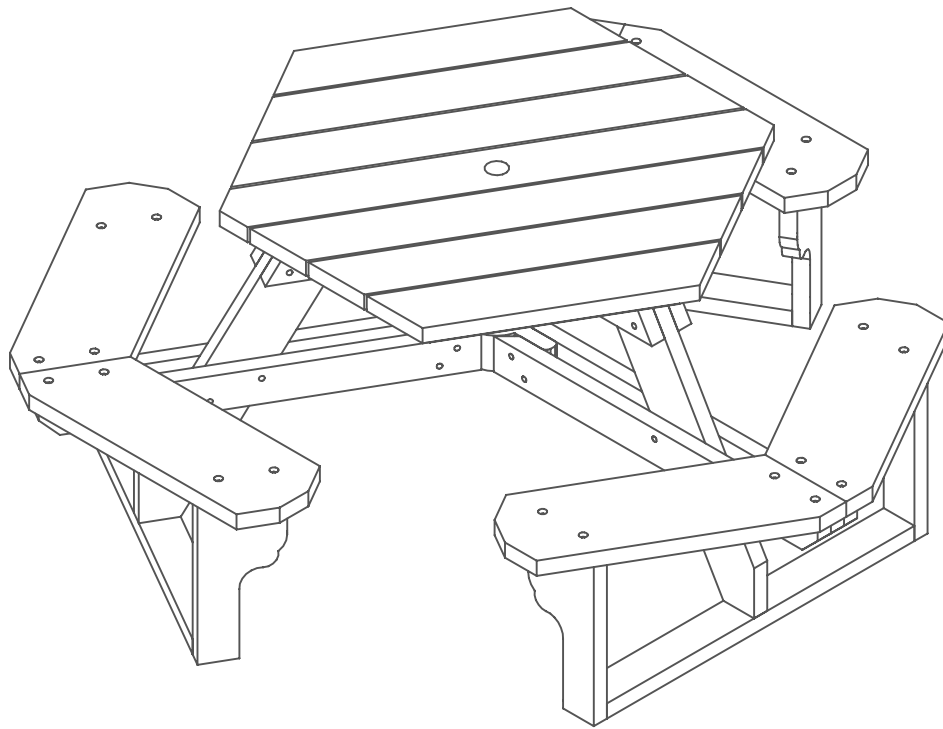


Hexagonal Picnic Table

For Fastener Pack
(FP-OHT-CU-02)

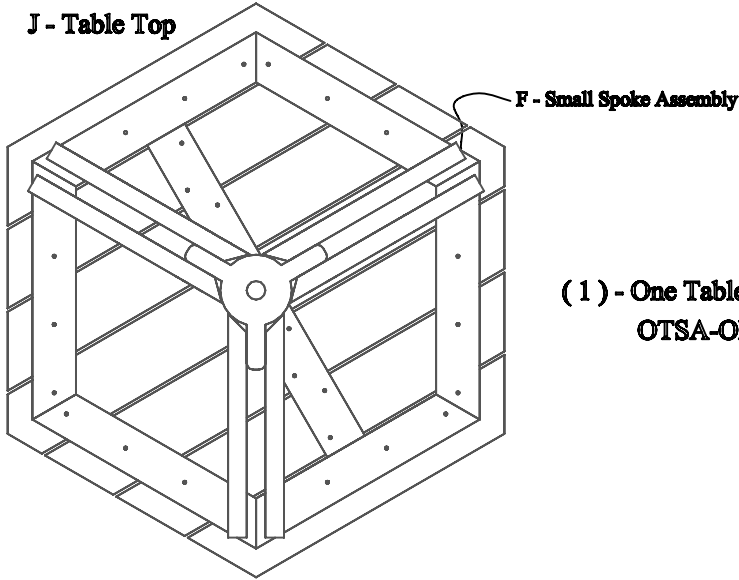


Congratulations !!

You have just purchased the finest recycled plastic picnic table available. Enjoy !!!

Before assembly, please make sure all components are included.

J - Table Top

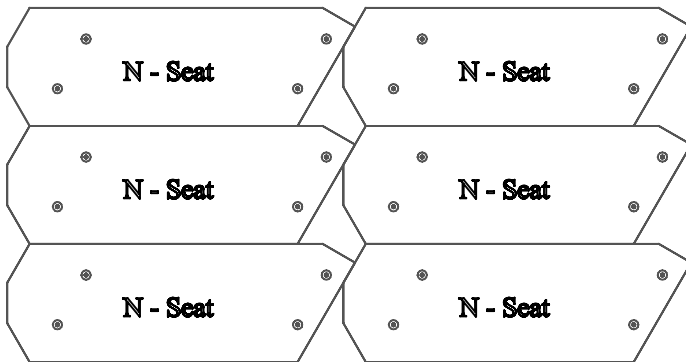


**(1) - One Table Top w/ Small Spoke Assembly
OTSA-OHT-A-02**

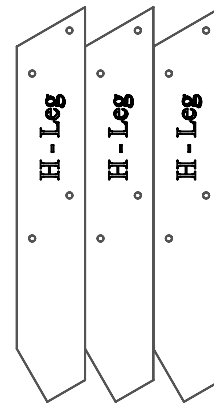


**(1) - One Fastener Pack
FP-OHT-CU-02**

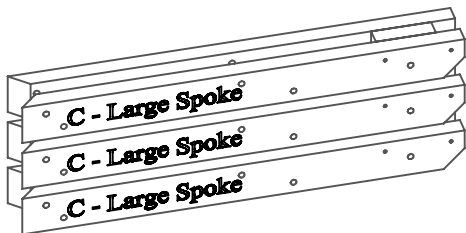
FP - Fastener Pack



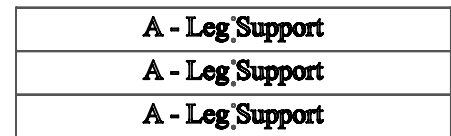
**(6) - Six Seats
OTP-HU-F-01**



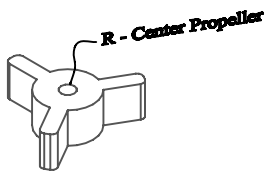
**(3) - Three Legs
OTP-HRA-G-01**



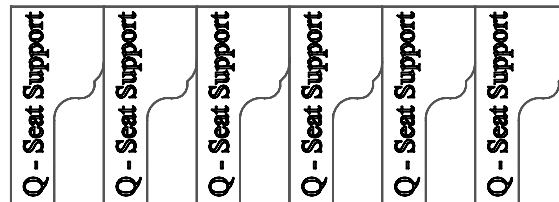
**(3) - Three Large Spokes
OTSA-HRA-A-02**



**(3) - Three Leg Supports
OTP-HRA-A-01**



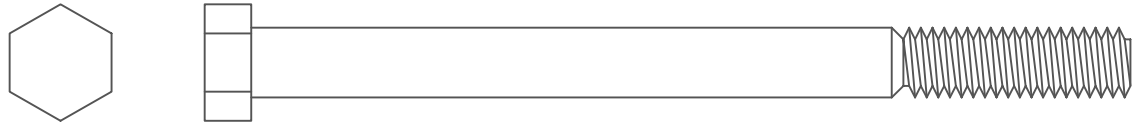
**(1) - One Center Propeller
PS-OTC-A-01**



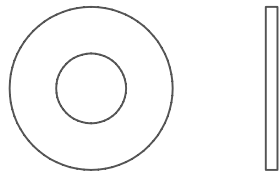
**(6) - Six Seat Supports
OTP-HRA-H-01**

Before assembly, please make sure all fasteners are included.

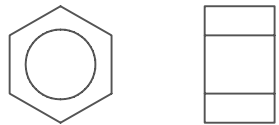
18 - 3/8" x 5" Hex Head Bolt



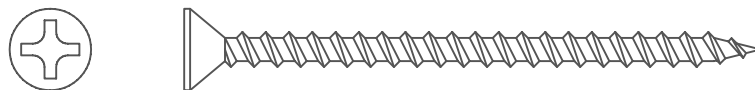
36 - 3/8" Flat Washer



18 - 3/8" Nylon Lock Nut



30 - #12 x 3" Flat Head Phillips Screw



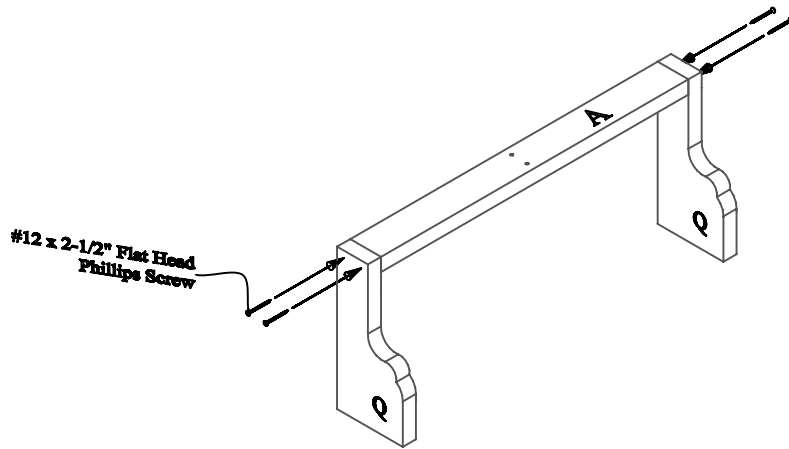
12 - #12 x 2 1/2" Flat Head Phillips Screw



Also needed for this assembly will be the following materials:

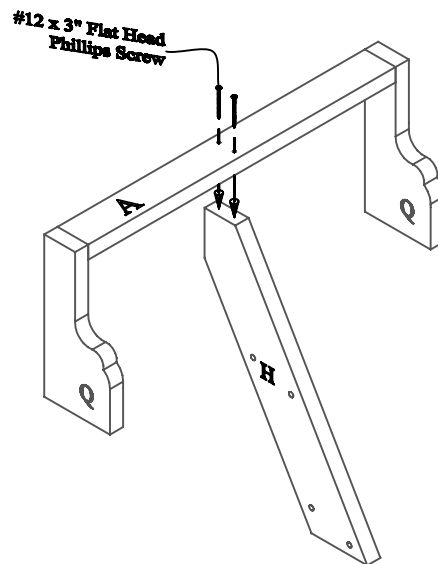
1 - #3 Phillips Drive Bit

2 - 9/16" Socket Wrench



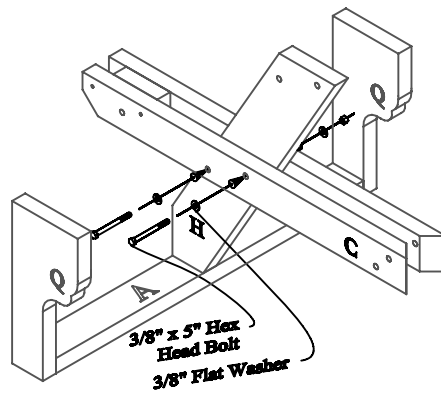
Step #1:

Fasten (2) Two seat supports onto each end of (1) One leg support. Be sure that each seat support when fastened are pointing in the same direction as shown above. Use (1) One #12 x 2 1/2" Flat Head Phillips Screw per hole to secure.



Step #2:

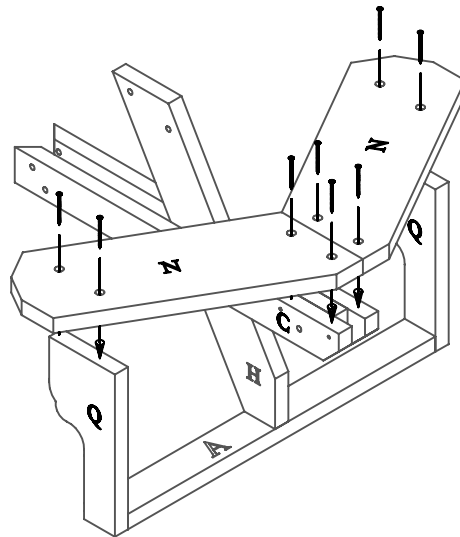
Fasten the seat support assembly to the leg as shown above. Use (1) One #12 x 3" Flat Head Phillips Screw per hole to secure.



Step #3:

Slide the large spoke assembly up to match the holes to the legs. Secure the large spoke assembly to the legs as shown above. Use (1) One 3/8" x 5" Hex Head Bolt and (1) One 3/8" Flat Washer along with (1) One 3/8" Flat Washer and (1) One 3/8" Nylon Lock Nut per hole to secure.

Do not tighten bolts completely. This will be done in a later step.

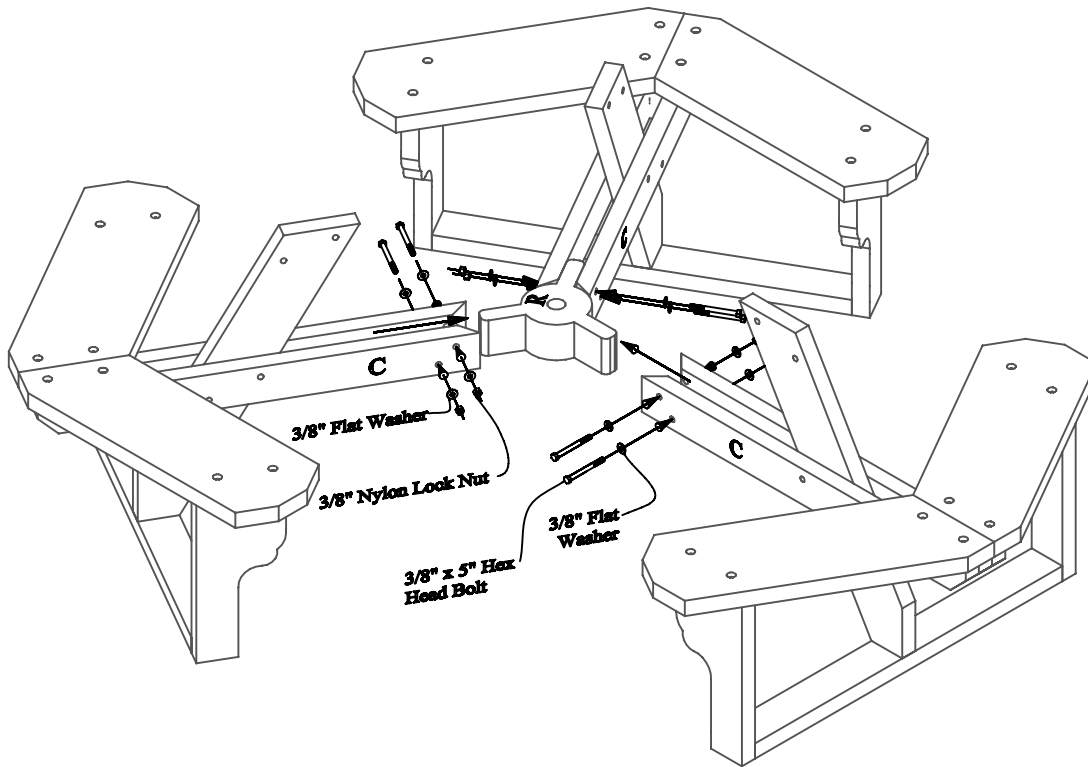


Step #4:

Fasten the seats to the large spoke assembly using the provided pilot holes and seat support assemblies as shown above. Be sure when installing the set of seats that the inner edges are flush and tight with each other. Use (1) One #12 x 3" Flat Head Phillips Screw per hole to secure.

Step #5:

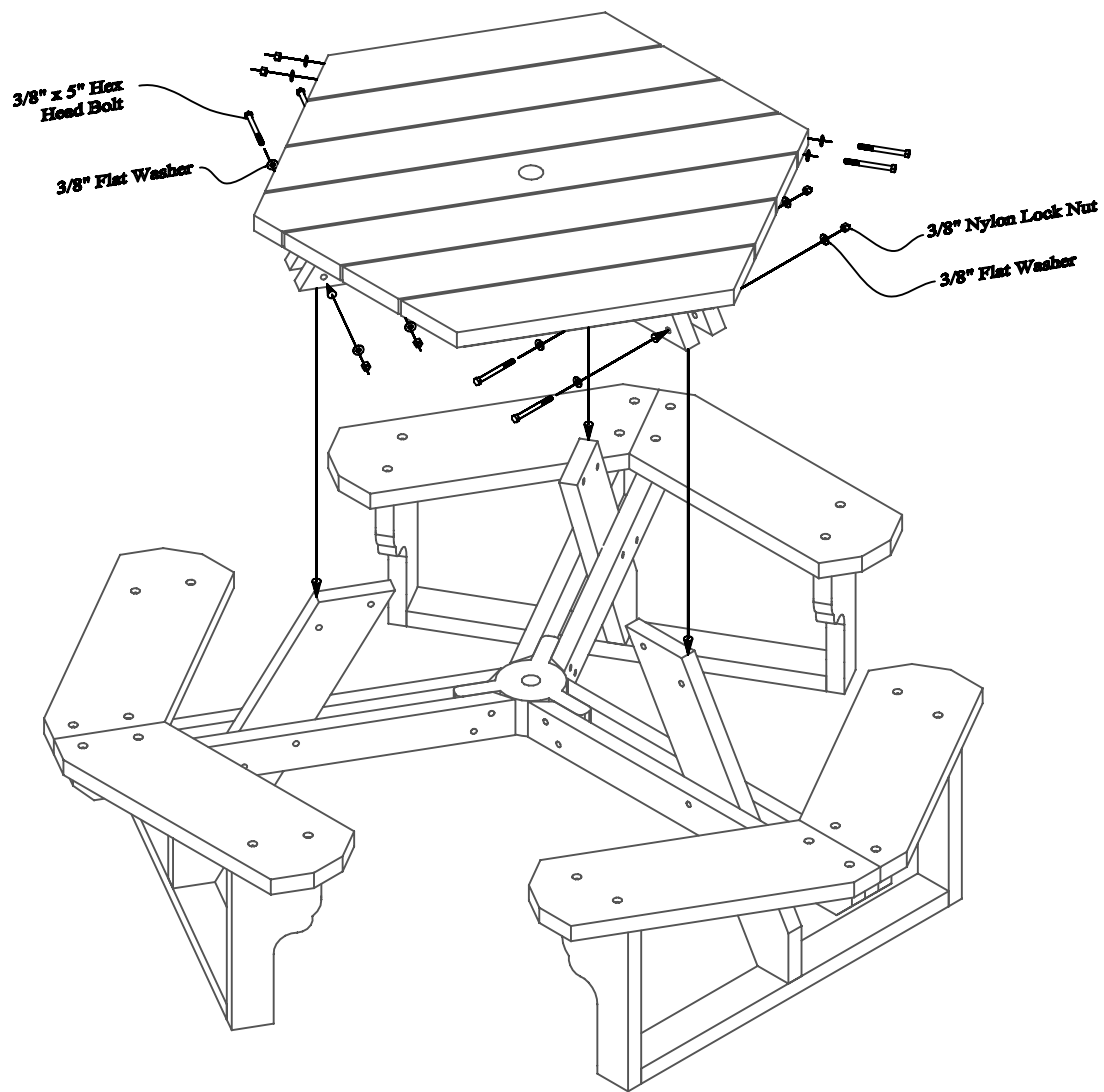
Repeat steps 1 thru 4, two times.



Step #6:

Assemble the leg/seat assemblies to the center propeller as shown above. Use (1) One 3/8" x 5" Hex Head Bolt and (1) One 3/8" Flat Washer along with (1) One 3/8" Flat Washer and (1) One 3/8" Nylon Lock Nut per hole to secure.

Do not tighten bolts completely. This will be done in a later step.



Step #7:

Place the table top assembly onto the leg/seat assemblies as shown above. Slide (1) One leg between the propellers of each spoke assembly. Secure the legs to the small spoke assembly. Use (1) One 3/8" x 5" Hex Head Bolt and (1) One 3/8" Flat Washer along with (1) One 3/8" Flat Washer and (1) One 3/8" Nylon Lock Nut per hole to secure.

Be sure to tighten all loose bolts after completing this step.

DEAR VALUED CUSTOMER,

THANK YOU FOR PURCHASING THIS PRODUCT. THIS PRODUCT IS MANUFACTURED USING RECYCLED MATERIALS AND MAY HAVE SLIGHT COLOR VARIATIONS, OCCASIONAL SPECKS OF COLOR OR IRREGULAR SURFACE PATTERNS. THESE ARE NORMAL CONDITIONS OF RECYCLED PLASTICS AND MAKE EACH PIECE OF FURNITURE UNIQUE. THESE CHARACTERISTICS DO NOT AFFECT THE STRENGTH, QUALITY OR PERFORMANCE OF THE PRODUCT.

THANK YOU AGAIN FOR PURCHASING THIS PRODUCT AND HELPING OUR ENVIRONMENT.