

TERRA BOUND

SOLUTIONS



Model # 75-36FT

TERRA BOUND SOLUTIONS

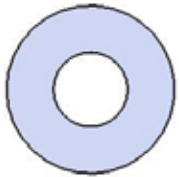
SAFETY WARNINGS & EQUIPMENT INSPECTION

- Owners and installers please note these safety warnings and make use of this checklist on a regular basis.
- Follow installation instructions when erecting equipment.
- Ground surfaces around equipment should be restored as needed. Concrete footings should never be exposed. Surface depth should comply with ASTM and CPSC specifications.
- Check for and repair damage caused by wear or vandalism, a major factor in injury causing situations.
- All protruding bolts should be covered or cut off and finished smooth. Sharp edges on pipes should be capped or removed. Check for bent, broken, or severely worn pipe, and replace.
- All equipment should be free of rust and repainted whenever necessary to deter rusting.
- We provide our customers with layout sheets and installation instructions. Please keep on file the specifications sheet that contains the listing of every part used.
- Never add components not intended for use with this product.
- Regular maintenance is necessary in this and all park and recreational equipment to insure the safety of the user.
- Note: Proper maintenance of equipment requires regular tightening of all bolts, nuts, and setscrews.
- Note: Regular checking of all parts, castings, etc. should be made. If a part is broken or worn, it should be replaced immediately.
- Check to be sure all fittings are tight and that bars and pipes do not move.
- Replace all worn S-hooks. S-hooks must be completely closed. Failure to close S-hooks can result in serious injury to the user. NEVER reuse S-hooks.
- Test for free movement of swing hanger and other moving attached parts.
- Check for worn chains and replace them.
- A soft resilient surface should be placed under all swings extending at least twice the height of the top rail both front and back.

HARDWARE

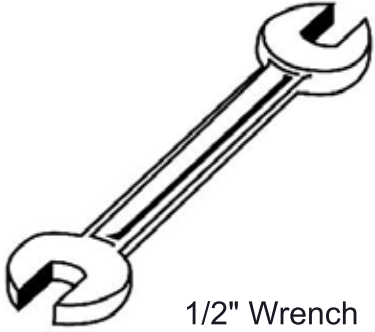


5/16" x 1"
Lag Bolt



5/16" Washer

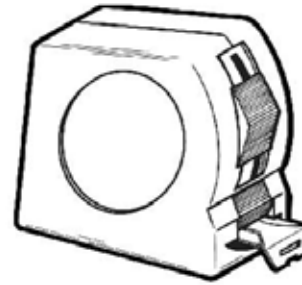
TOOLS REQUIRED



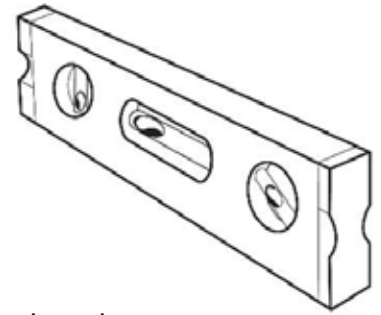
1/2" Wrench



1/2" Socket Wrench



Tape Measure



Level

ULTRA SITE PRODUCT SPECIFICATIONS

75-36 MADISON TRASH RECEPTACLE

Slats: Slats are made from 5/4" x 4" Ipe wood.(Nominal Size 1" x 3-1/2")

Frame: Rings are 12 gauge x 3" flat steel rolled to shape. Top and bottom plates are laser cut from 1/4" steel. All electrically MIG welded. Mounting Feet are formed from 7 gauge steel.

Receptacle Coating: Steel is sandblasted to near white condition. Coated with zinc rich epoxy primer and top coated with electrostatic powder coat, oven cured. Ipe wood is sealed on each end to prevent splitting and stained with a wood finish.

Receptacle Dimensions: 27-5/16" diameter x 35-5/8" high x 32 gallon capacity.

Hardware: Mounting hardware not included. Included hardware to be stainless steel.

IPE Wood Care and Maintenance to be applied twice a year.

Step 1.) Wash boards with a deck cleaner or IPE cleaner.

Step 2.) After boards are dry, Lightly sand and dust off boards. Before applying stain be sure wood is dry and free of sawdust or dirt.

Step 3.) Apply a new coat of stain per manufacturer's recommendations. We recommend using Penofin© Hardwood Formula.

FTR-55-08 FLAT TOP

Material: Top plate shall be fabricated from 18 gauge steel flat, spun to form.

Coating: Steel is sandblasted to near white condition. Coated with zinc rich epoxy primer and top coated with electrostatic powder coat, oven cured.

Receptacle Dimensions: Center opening shall be an 8" inside diameter. The overall dimensions shall be 26-3/4" diameter x 2" high.

PL-32

Trash Liner made from heavy duty plastic.

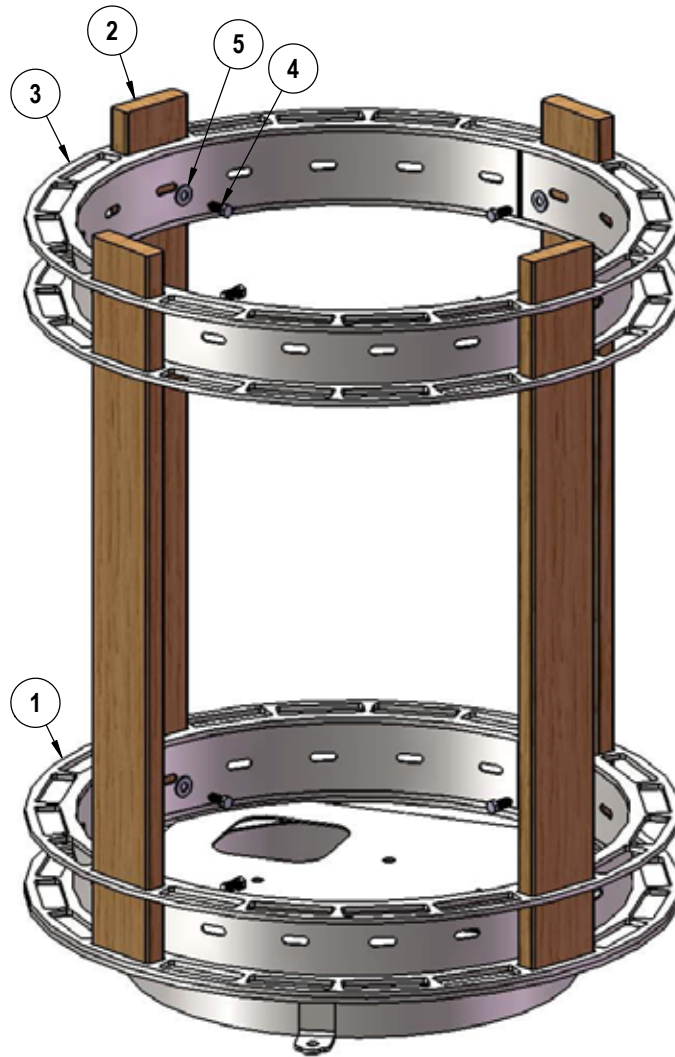
COMPONENTS



Optional Surface Mount Hardware:
 3/8" x 3-1/2" Concrete Expansion Anchor Bolts
 (Not Included)

ITEM NO.	PartNo	DESCRIPTION	Qty.
1	P-01-05-0230	Madison (75) Ring Assembly (Bottom)	1
2	01-01-0847	5/4" x 4" x 31.5" long ipe madison plank	20
3	P-01-05-0229	Madison (75) Ring Assembly (Top)	1
4	33-05-0067	5/16" x 1" lag bolt, SS	40
5	33-02-0007	5/16" SS Washer	40
6	PL-32	32 Gal. Liner	1
7	P-FTR-55-08	55 Gallon Rolled Flat Top with a 8" opening	1

STEP 1



Install the 4 Ipe Wood Planks to the Madison Rings like shown. Once these 4 are secured, the rest of the Ipe Wood Planks can be installed. Secure using the specified hardware.

WARNING: Overtightening of lag bolts can cause damage to lumber.

STEP 2



Place the Liner inside the newly assembled receptacle and place the Lid on top of the Ipe Wood Slats.

OVERALL DIMENSIONS

