

# TERRA BOUND SOLUTIONS™

-- BBLs-12 --  
(LITTLE SLAM BATTING CAGE)  
Installation Instructions



1-877-857-2915

[www.terraboundsolutions.com](http://www.terraboundsolutions.com)

**TERRABOUND SOLUTIONS**  
BBL5-12 LITTLE SLAM BATTING CAGE

**IMPORTANT NOTICE:**

- 1) BEFORE EACH USE CHECK EQUIPMENT FOR PROPER CONNECTING HARDWARE AND STRUCTURAL INTEGRITY. REPLACE DAMAGED OR MISSING HARDWARE IMMEDIATELY.
- 2) USE OF THIS EQUIPMENT OTHER THAN INTENDED, MAY BE HAZARDOUS.
- 3) ALTERATION OR MODIFICATION OF THIS EQUIPMENT MAY BE HAZARDOUS AND RESULT IN INJURY. FOR REPAIR OR REPLACEMENT, CONTACT YOUR DEALER OR JAYPRO SPORTS.

**Precautions:**

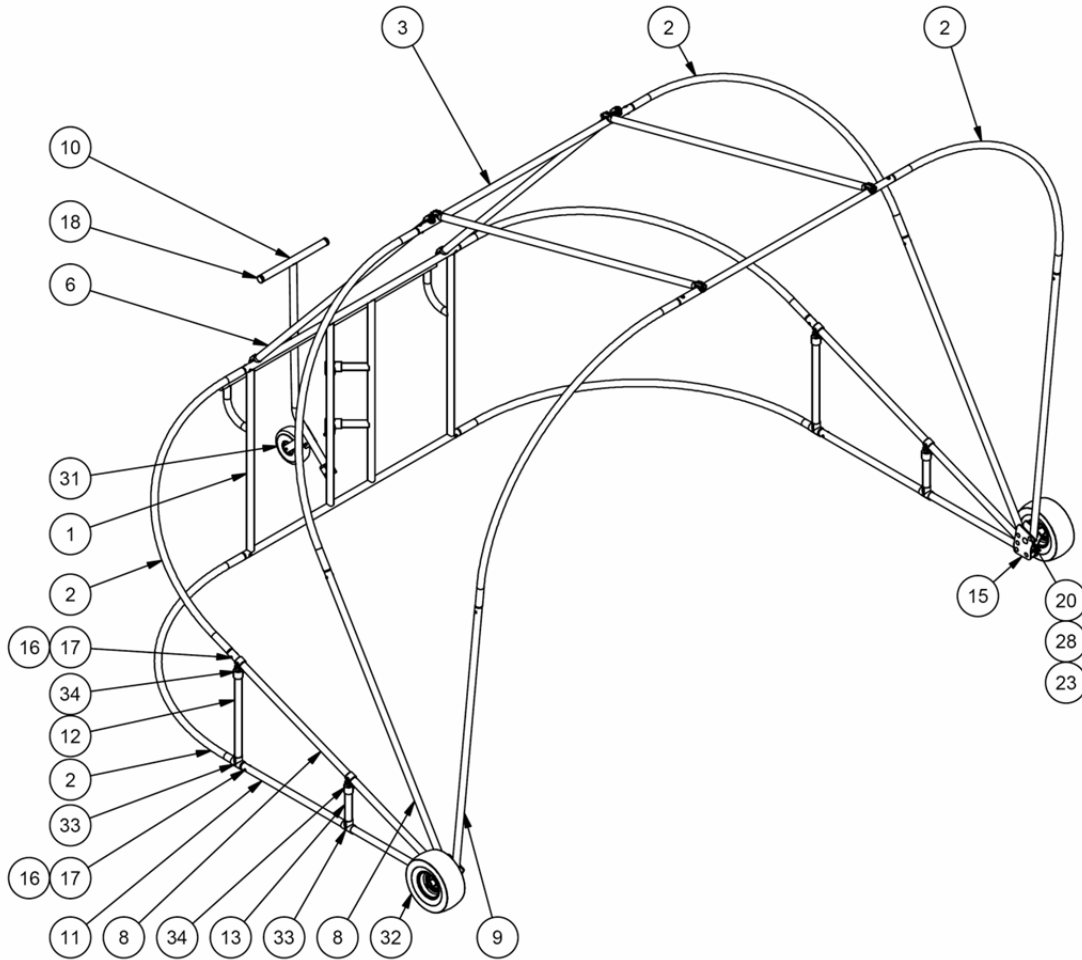
- FOLLOW ALL INSTRUCTIONS CLOSELY. DON'T SKIP ANY STEPS, OR OMIT ANY HARDWARE.
- SELECT A CLEAR, FLAT AREA FOR ASSEMBLY.
- ALWAYS BE CAREFUL WHEN USING POWER TOOLS – FOLLOW TOOL MANUFACTURER'S INSTRUCTIONS AND SAFETY PRECAUTIONS.
- ALWAYS WEAR APPROPRIATE PROTECTIVE GEAR (GOGGLES, GLOVES, STEEL-TOED SAFETY SHOES, ETC.).

**LIST OF RECOMMENDED TOOLS & SUPPLIES:**

1. POWER DRILL WITH 1/8" DIAMETER DRILL BIT(S)
2. BOX WRENCHES, ADJUSTABLE WRENCHES, OR SOCKET SET
3. RUBBER Mallet AND/OR BLOCK OF WOOD
4. LEVEL
5. PHILLIPS SCREWDRIVER (OR PHILLIPS BITS FOR DRILL)
6. RAGS, GREEN SCRUBBING PADS, CLEANING SOLUTION
7. ASSEMBLE ALL TOOLS REQUIRED (PER ABOVE LIST)
8. UNPACK ALL ITEMS, MAKE SURE EVERYTHING IS RECEIVED (PER ABOVE LIST). PICK A FLAT AREA FOR ASSEMBLY – YOU WILL NEED AT LEAST 18'X18' FOR FINAL ASSEMBLY, WITH AN ADDITIONAL AREA EQUIVALENT IN SIZE FOR TEMPORARY ASSEMBLY OF CAGE SECTIONS.

# BBLS-12 QUICK REFERENCE

( SEE EXPLODED VIEWS OF DIFFERENT SECTIONS FOR HARDWARE CALLOUTS )



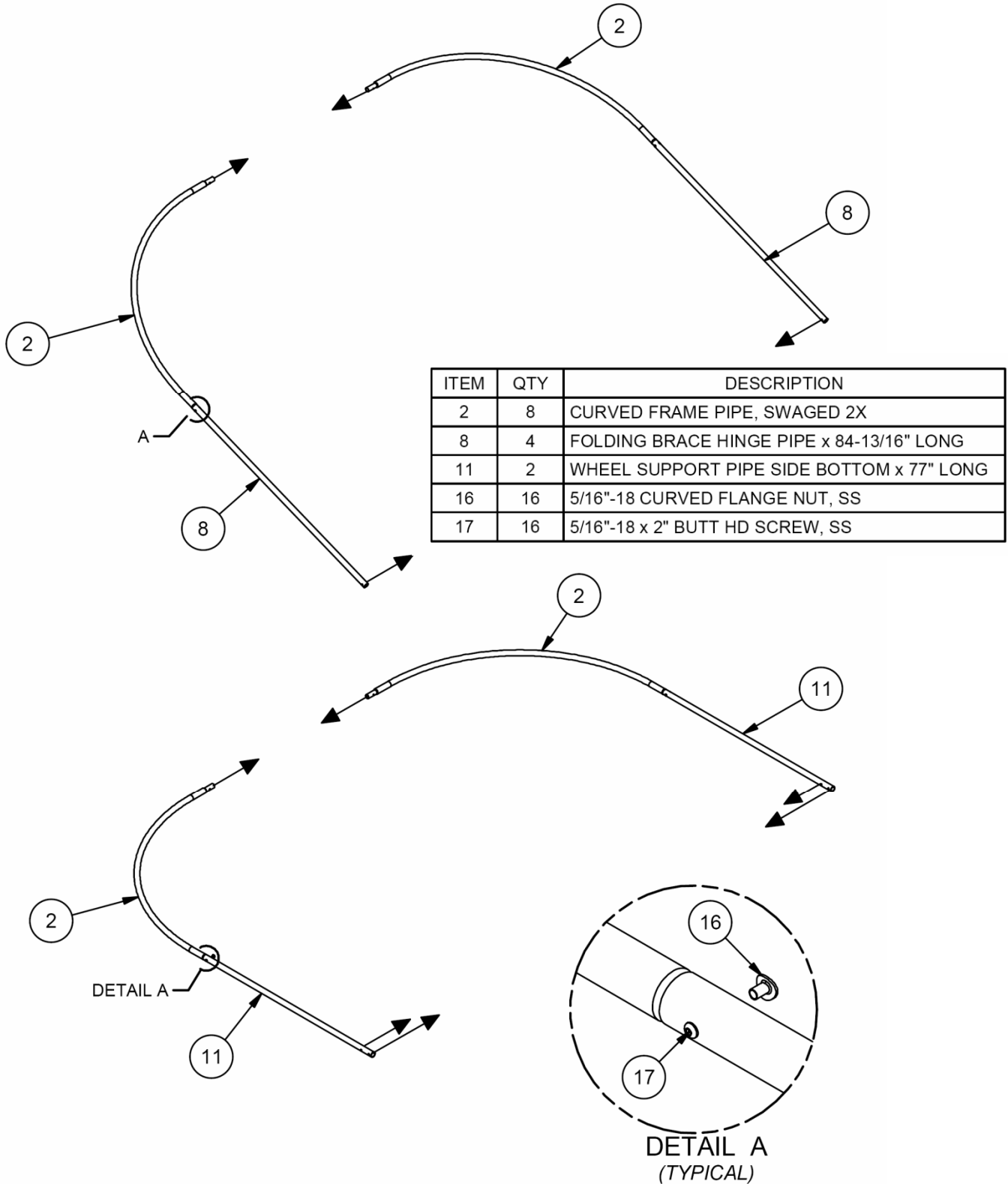
ITEM	QTY	DESCRIPTION	ITEM	QTY	DESCRIPTION
1	1	BBGS-18 REAR WELDED SECTION	20	10	1/2"-13 x 3 1/2" CARRIAGE BOLT, ZP
2	8	CURVED FRAME PIPE, SWAGED 2X	21	2	3/4"-10 x 10" CARRIAGE BOLT, ZP
3	2	UPPER FRAME HORIZONTAL PIPE x 78" LONG	22	4	3/8"-16 HEX HD LOCKNUT, ZP
4	2	1" OD x 3/4" ID x 1" LONG SLEEVE	23	11	1/2"-13 THIN NYLON LOCK NUT, ZP
5	2	1" OD x 3/4" ID x 2" LONG SLEEVE	24	2	3/4"-10 STOVER LOCKNUT ZINC PLATE
6	4	STRUT ASSY LITTLE SLAM	25	4	3/8"-16 x 1" HEX HD CAP SCREW, ZP
7	1	REAR PIPE x 40 " LONG	26	1	1/2"-13 x 3" HEX HD CAP SC, ZP
8	4	FOLDING BRACE HINGE PIPE x 84-13/16" LONG	27	1	3/8"-16 x 3/4" HEX HD CAP SCREW, ZP
9	2	FOLDING BRACE HINGE PIPE x 89" LONG	28	30	WASHER - PLAIN - 1/2"
10	1	REAR WHEEL HANDLE	29	4	3/8" SAE FLAT WASHER, ZP
11	2	WHEEL SUPPORT PIPE SIDE BOTTOM x 77" LONG	30	6	3/4" SAE FLAT WASHER, ZP
12	2	LITTLE SLAM SIDE PIPE x 27" LONG	31	1	10" x 2-3/4" FIXED CASTER
13	2	LITTLE SLAM SIDE PIPE x 12" LONG	32	2	WHEEL 16" PNEUMATIC
14	1	1.939" ID COLLAR 5/16-18 SET	33	4	1.90" TEE HUB
15	4	LITTLE SLAM WHEEL PLATE	34	4	ADJUSTABLE TEE
16	16	5/16"-18 CURVED FLANGE NUT, SS	35	1	2" x 60 YD BLACK GAFFERS TAPE
17	16	5/16"-18 x 2" BUTT HD SCREW, SS	36	1	250 FT OF BLACK LINE ROPE
18	2	ROUND RIB INSERT TOP CAP FOR 1.90 PIPE	37	1	LITTLE SLAM NET WITH BAFFLE
19	4	2" ROUND CAP	38	N/A	6' SECTIONS (AS DELIVERED) FM0028

*Note: It is critical the area you select be as flat as possible, as there are steps during assembly that call for alignment of holes using a level.*

*Note: Assembly requires two people.*

## Assemble Framework:

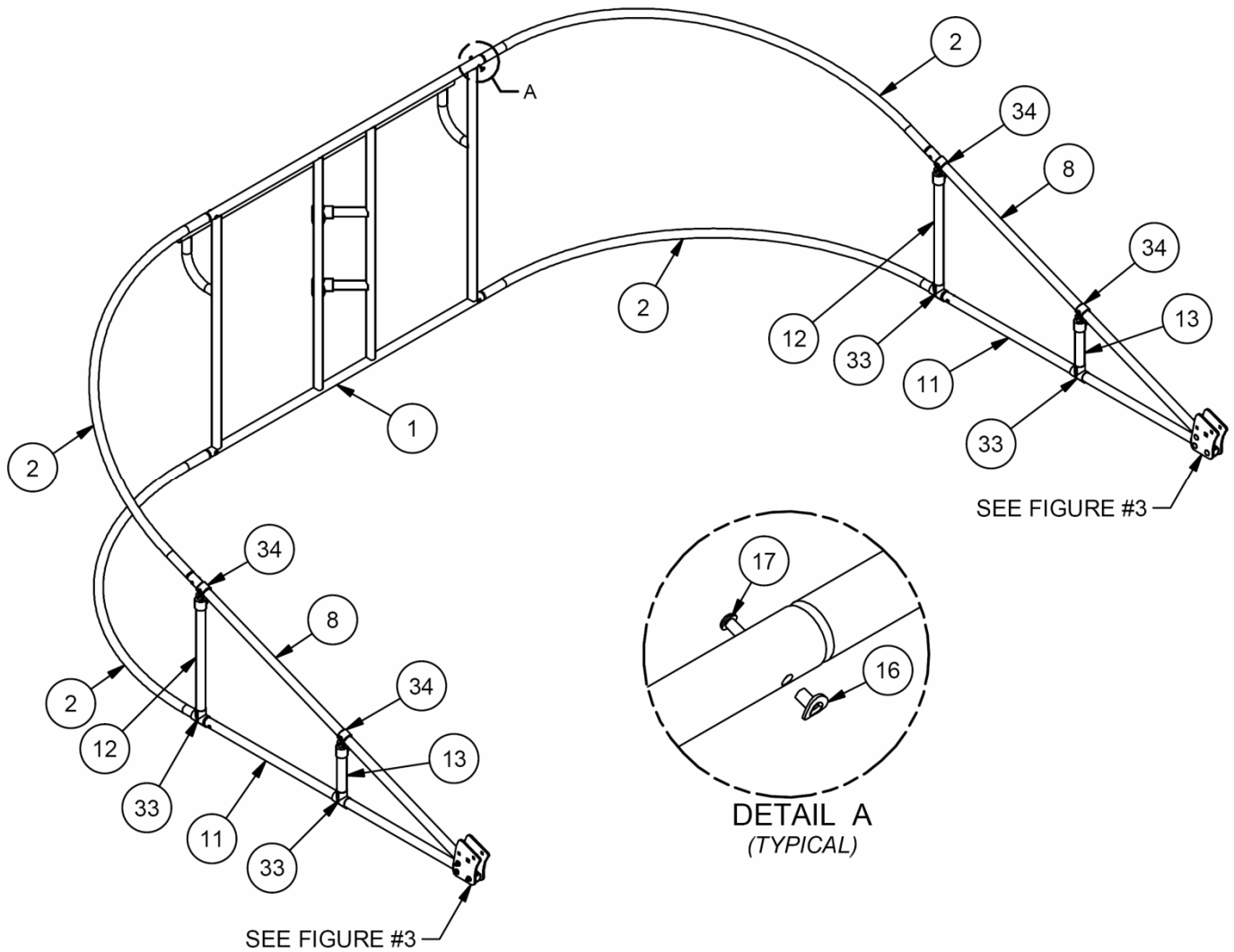
1. Connect curved pipe (2) to pipe 77" long (11) w/ curved nut & button screw & connect curved pipe (2) to pipe 84-13/16" long (8) w/ curved nut & button screw.



[BBL-12] FIGURE #1

2. Connect curved pipe (2) to rear welded section (1) w/ curved nut & button screw.  
*Note: Slide on collar (33) to pipe (11) & collar (34) to pipe (8).*

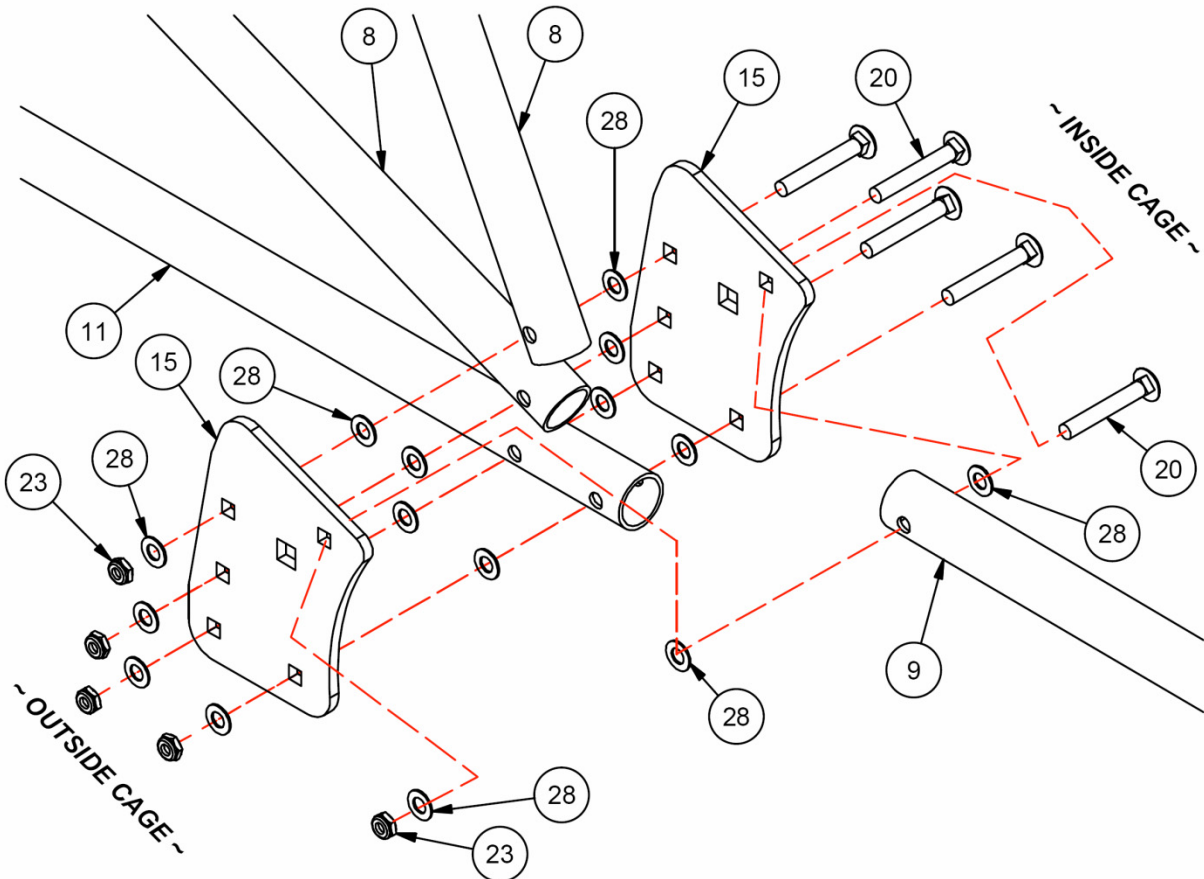
ITEM	QTY	DESCRIPTION
1	1	BBGS-18 REAR WELDED SECTION
2	8	CURVED FRAME PIPE, SWAGED 2X
8	4	FOLDING BRACE HINGE PIPE x 84-13/16" LONG
11	2	WHEEL SUPPORT PIPE SIDE BOTTOM x 77" LONG
12	2	LITTLE SLAM SIDE PIPE x 27" LONG
13	2	LITTLE SLAM SIDE PIPE x 12" LONG
16	16	5/16"-18 CURVED FLANGE NUT, SS
17	16	5/16"-18 x 2" BUTT HD SCREW, SS
33	4	1.90" TEE HUB
34	4	ADJUSTABLE TEE



[BBL-12] FIGURE #2

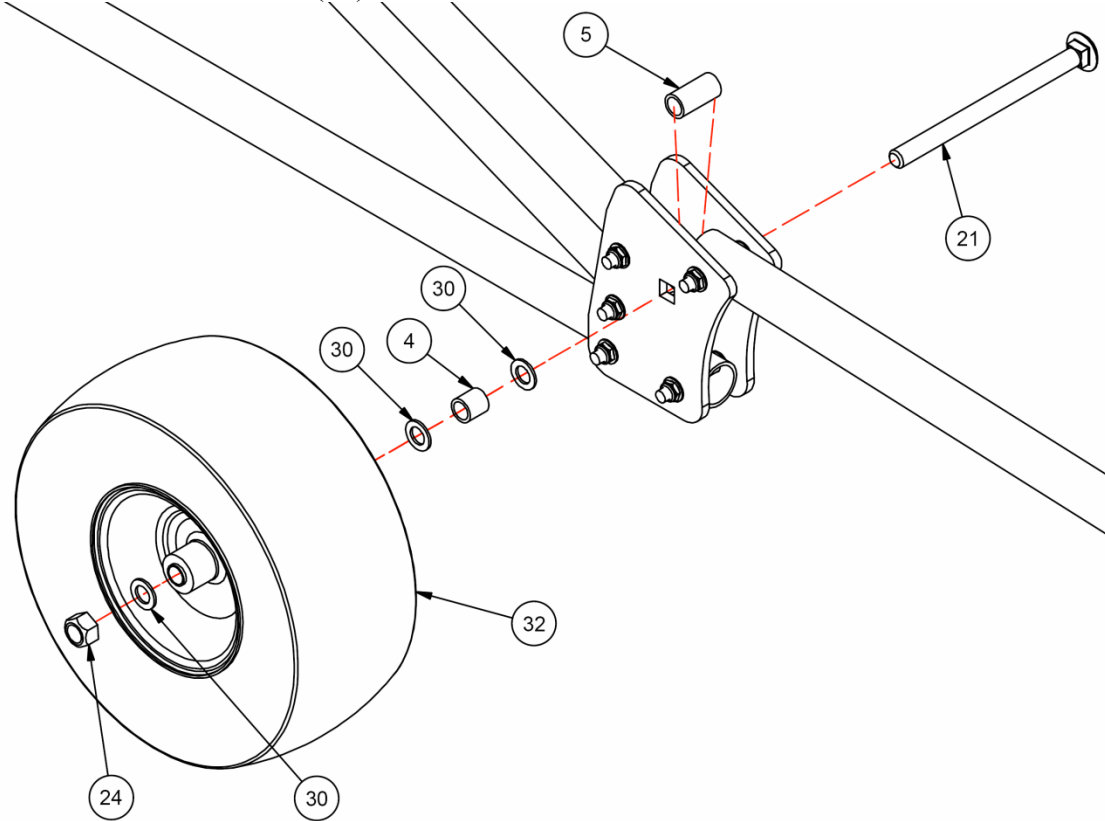
3. Assemble pipes (8), (9), (11) & plate (15) w/ 1/2" hardware as shown.  
*Note: DO NOT OVER TIGHTEN.*

ITEM	QTY	DESCRIPTION
4	2	1" OD x 3/4" ID x 1" LONG SLEEVE
5	2	1" OD x 3/4" ID x 2" LONG SLEEVE
8	4	FOLDING BRACE HINGE PIPE x 84-13/16" LONG
9	2	FOLDING BRACE HINGE PIPE x 89" LONG
11	2	WHEEL SUPPORT PIPE SIDE BOTTOM x 77" LONG
15	4	LITTLE SLAM WHEEL PLATE
20	10	1/2"-13 x 3 1/2" CARRIAGE BOLT, ZP
21	2	3/4"-10 x 10" CARRIAGE BOLT, ZP
23	11	1/2"-13 THIN NYLON LOCK NUT, ZP
24	2	3/4-10 STOVER LOCKNUT ZINC PLATE
28	30	WASHER - PLAIN - 1/2"
30	6	3/4" SAE FLAT WASHER, ZP
32	2	WHEEL 16" PNEUMATIC



[BLS-12] FIGURE #3

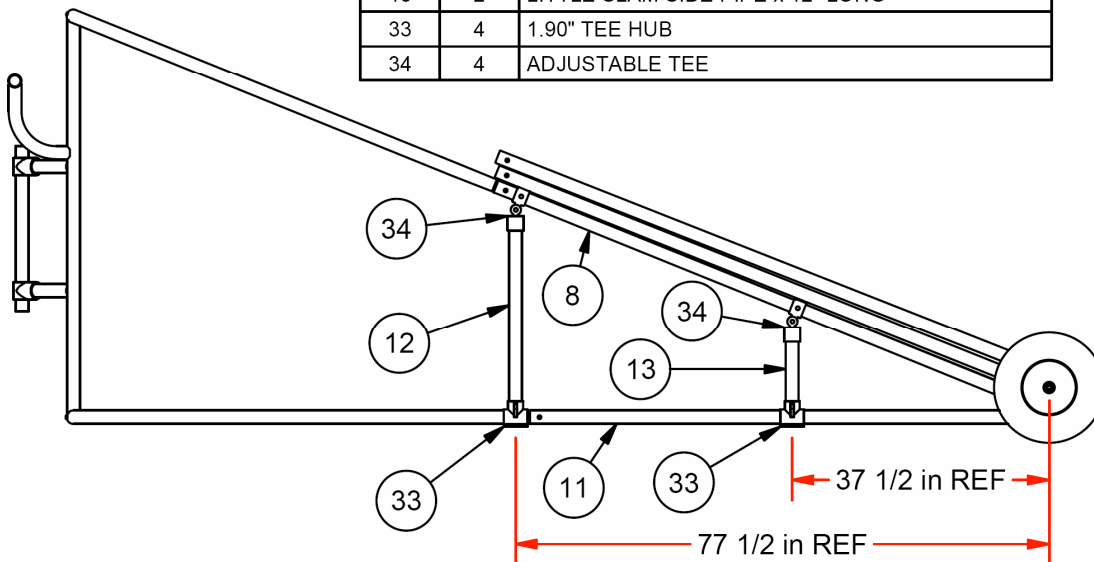
4. Assemble wheel (32) w/ 1/2" hardware as shown.



[BBL-12] FIGURE #4

5. Assemble pipes (12) & (13) to collars (33) & (34), tighten all set screws w/ Allen wrench provided.

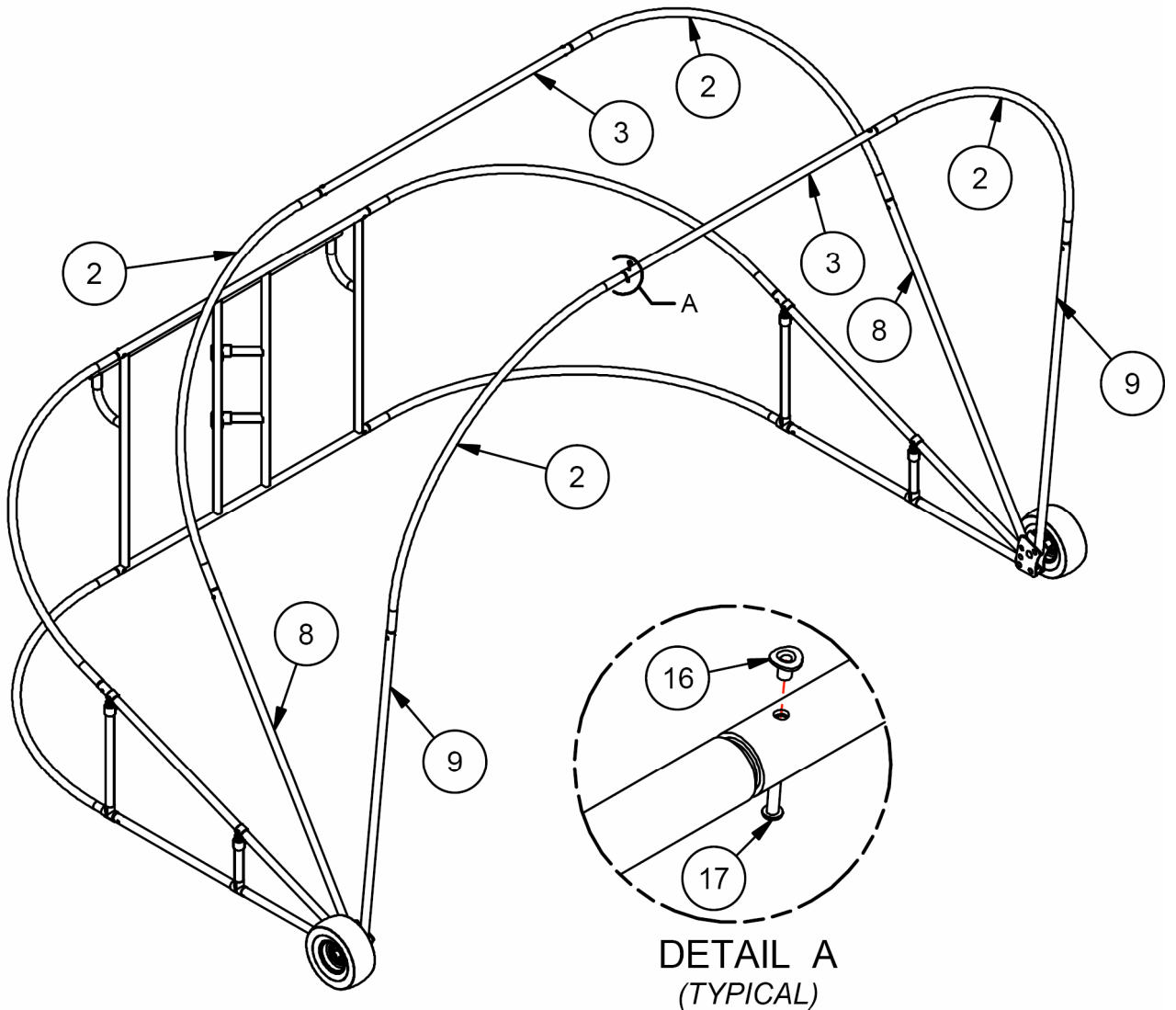
ITEM	QTY	DESCRIPTION
8	4	FOLDING BRACE HINGE PIPE x 84-13/16" LONG
11	2	WHEEL SUPPORT PIPE SIDE BOTTOM x 77" LONG
12	2	LITTLE SLAM SIDE PIPE x 27" LONG
13	2	LITTLE SLAM SIDE PIPE x 12" LONG
33	4	1.90" TEE HUB
34	4	ADJUSTABLE TEE



[BBL-12] FIGURE #5

6. Assemble all parts as shown.  
*Note: Do not over tighten hardware.*
7. Assemble curved pipe (2) to 84-13/16" long pipe (8).
8. Assemble curved pipe (2) to 89" long pipe (9).
9. Assemble straight pipe (3) to curved pipe (2).

ITEM	QTY	DESCRIPTION
2	8	CURVED FRAME PIPE, SWAGED 2X
3	2	UPPER FRAME HORIZONTAL PIPE x 78" LONG
8	4	FOLDING BRACE HINGE PIPE x 84-13/16" LONG
9	2	FOLDING BRACE HINGE PIPE x 89" LONG
16	16	5/16"-18 CURVED FLANGE NUT, SS
17	16	5/16"-18 x 2" BUTT HD SCREW, SS

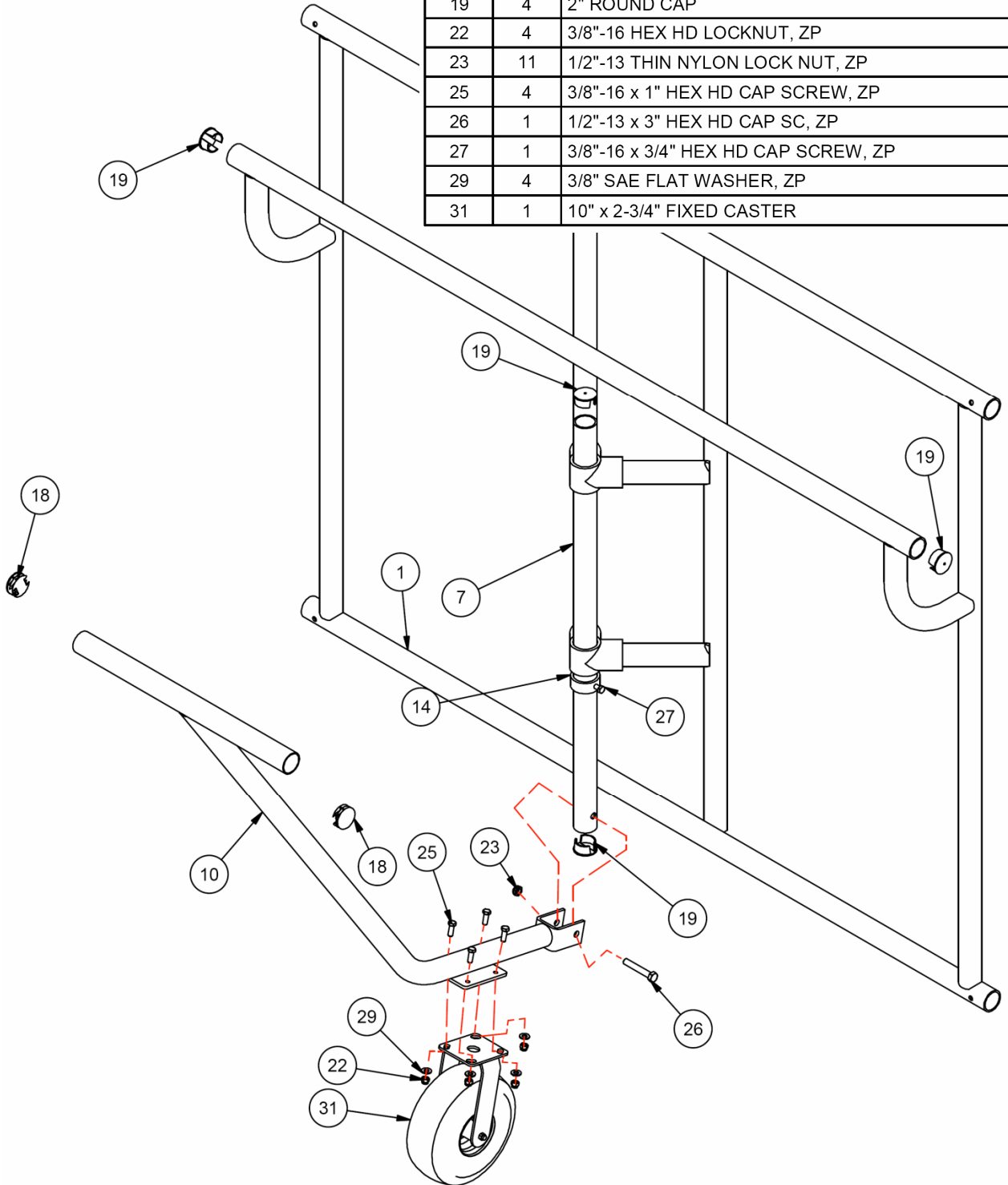


[BBL-12] FIGURE #6



10. Assemble all parts as shown.

ITEM	QTY	DESCRIPTION
1	1	BBGS-18 REAR WELDED SECTION
7	1	REAR PIPE x 40" LONG
10	1	REAR WHEEL HANDLE
14	1	1.939" ID COLLAR 5/16-18 SET
18	2	ROUND RIB INSERT TOP CAP FOR 1.90 PIPE
19	4	2" ROUND CAP
22	4	3/8"-16 HEX HD LOCKNUT, ZP
23	11	1/2"-13 THIN NYLON LOCK NUT, ZP
25	4	3/8"-16 x 1" HEX HD CAP SCREW, ZP
26	1	1/2"-13 x 3" HEX HD CAP SC, ZP
27	1	3/8"-16 x 3/4" HEX HD CAP SCREW, ZP
29	4	3/8" SAE FLAT WASHER, ZP
31	1	10" x 2-3/4" FIXED CASTER



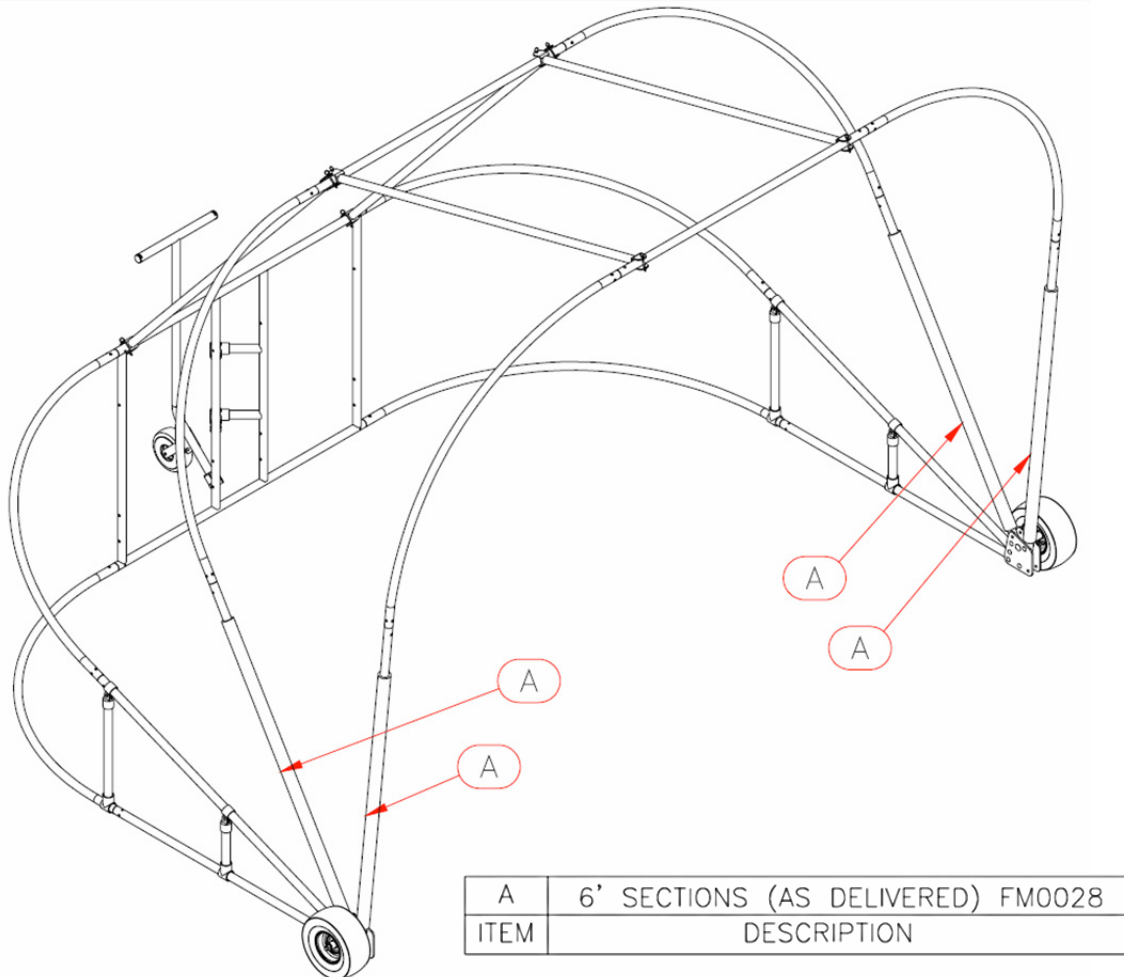
[BLS-12] FIGURE #7

After the frame is fully assembled check all hardware to make sure it is tightened and all joints are secured. Raise the upper frame arches into position, using the strut pipes, and check for alignment. (See setup instructions)

Before installing the net and padding wipe frame clean with a clean rag or scrubbing pad.

**Attach padding:**

1. Apply foam padding as shown, secure with black gaffers tape.



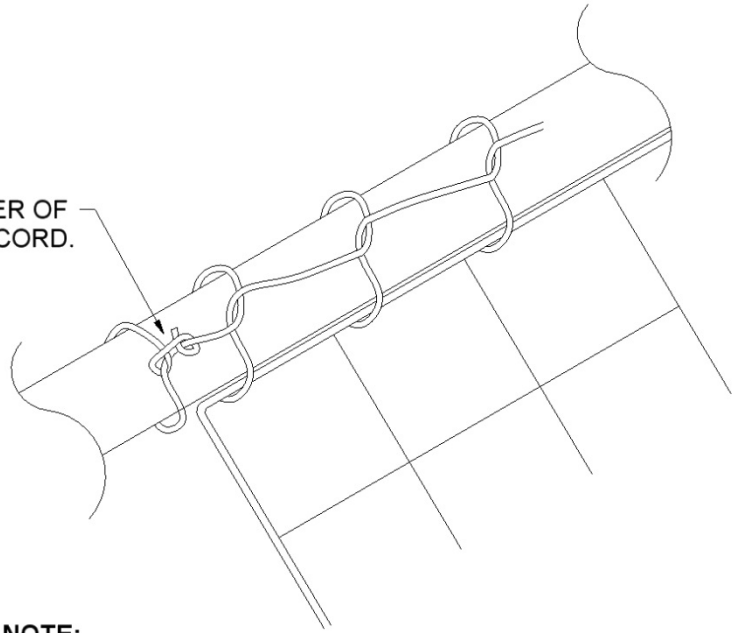
[BBLs-12] FIGURE #8

## **Attach net:**

Description: The outer perimeter of the net is to be fully laced to both the front arch and the top member of the lower frame. (See detail showing how to lace if unfamiliar with lacing). The net will be suspended off the center two arches, by about 6”.

1. Cut a couple dozen 18” long cords from the roll of 1/8” black cord.
2. Remove the net and spread it out in front of the cage.
3. Locate the tags that call out the FRONT CORNERS, FRONT TOP and MIDDLE BACK.
4. With the frame in the folded position, take the section labeled FRONT TOP and position it in the center of the top center crossbar. Using one of the temporary cords tie off the net to the crossbar. Using additional cord pieces, tie off the leading edge of the net every couple of feet to either side of the center. Continue tying off the net, working towards the front.
5. When done, verify that the net is truly centered and the labels, LEFT FRONT CORNER and RIGHT FRONT CORNER (*when looking into the cage*), are in the proper corners. Note: If the labels are reversed it means the net is upside down and the baffle will end up on the wrong side (outside) of the cage – reverse the net if needed.
6. Shift the net, from side to side, as needed to center it.
7. Once the net is properly centered, go back to the TOP FRONT center point and lace the leading edge of net securely to the front arch. Starting from the center, lace to one side and then the other.
8. After the net is fully laced to the front arch – from the rear of the cage, carefully raise the front arch section using two struts.
9. Locate the next reinforced section of the net (about 8’ back from the front edge) and loosely tie it in place to the 2<sup>nd</sup> arch using the temporary positioning cords. Again, start at the middle and work to either side, tying off every couple of feet. The net should hang at least 6” away from the tubing to lessen any potential ricochet.
10. Raise the 2<sup>nd</sup> arch, using two strut and repeat step 9 for the third arch. When complete raise the third arch into position.
11. Starting at the center, tie off (every couple of ft) the net to the top member of the lower frame. Center the net, from side to side as needed, and then fully lace the back and bottom edge of the net to the top member of the lower frame.
12. Adjust the length and position of the cords on the 2<sup>nd</sup> and 3<sup>rd</sup> arches, so the net is properly positioned. Securely tie each cord. This can be done using a stepladder, with the frame in the raised position, or by lowering the frame and adjusting one section at a time.

TIE OFF ONE CORNER OF THE NET WITH LACING CORD.



**PLEASE NOTE:**

- THE TYPE OF MATERIAL AND SIZE OF THE MESH WILL DETERMINE THE APPROPRIATE LACING DIMENSION.
- ALWAYS LACE CLOSE ENOUGH TO PREVENT THE PLAYING BALL FROM PASSING THROUGH ANY GAPS.
- USE HALF HITCH TYPE KNOTS ALONG THE LENGTH OF YOUR FRAME.
- DRAW EACH KNOT TIGHT BEFORE CONTINUING.

**Attach skirt:**

1. Fully raise the upper portion of the cage.
2. Attach the vinyl skirt to the top and bottom pipes of the lower frame, using the zip ties or black cord rope cut at 18" long.
3. For best results, start at the center and work out to the front corners.

## SET-UP AND TRANSPORT

### Raising and Lowering the Upper Cage:

*NOTE: At least two people are required for the following steps.*

**Caution:** Keep body parts clear of pinch points between pipes and fittings.

1. Two struts are required to raise and support each arch. The raising of each arch must be done in tandem, with equal pressure and extension.
2. Attach one end of two struts to top front frame horizontal pipe, secure in place with a quick release pin or locking claw. Space these apart so that one of the struts is attached at each end of the horizontal frame pipe.
3. Push up and forward on each of the struts attached in the previous step; front section of frame should be moving easily and without binding while raising struts.  
**Caution:** Watch for any binding of frame and/or netting while doing this, stop immediately if anything is caught on frame hardware. Take extreme care while doing these steps to prevent frame and/or net damage.
4. Place bottom end of struts onto next folding frame section, and secure in place with quick release pins or locking claw.
5. Take two more struts and place inboard of the previous two struts on the second frame folding section horizontal pipe. Secure using quick release pins or locking claw.
6. Push up and forward on each of the struts from the previous step; front and second sections of frame should be moving up and forward easily without binding while raising struts.
7. Repeat for the next frame section.
8. Attach the final two struts and move the entire upper frame into position. The entire front of cage may now begin to pull forward due to gravity at this point, and will come to rest on the ground.
9. Place the bottom clamp onto top pipe of the lower frame, and secure in place with quick release pins or locking claw. Some effort may be required to seat these last two fittings in place, depending on net tension and the ground formation in your assembly working area.
10. To disassemble, or 'fold', unit – reverse above steps. Use caution when lowering the frame sections to avoid injury.

After each use inspect all fittings, hardware, pipes, and net for integrity and tightness. Any damage or loose hardware may result in unsatisfactory performance or failure, Contact factory or dealer for replacement parts.

## **TRANSPORTING CAGE:**

- Cage can be transported by going forward or backward. Transporting the cage should be done with 2 or 3 people.

**Note: Cage should only be transported in the fully folded position. Never move cage when fully raised.**

1. To transport the cage fully lower the upper frame. Gather the net and baffle and secure it to the rear frame using some bungee cords.
2. Lift the rear of the cage by lowering or raising the handle. With one operator steering and keeping the rear frame raised, two others are required to push against the cage in the two corners.

## **MAINTENANCE INSTRUCTIONS**

- Conduct a thorough inspection of the cage annually looking for loose bolts and nuts. Due to normal vibration during play, fasteners may work themselves loose. Tighten adequately on a regular basis to prevent injury.
- Apply a small amount of lithium grease to any moving parts, especially axles and wheels. If wheels have zirk fittings, you may inject grease into wheel bearings using a commercially available grease gun.
- Inspect net and padding for wear; contact factory to arrange for replacements or servicing.
- Paint retouching – any commercially available rust-preventive paint is acceptable for touching up chipped paint and areas of rust. Follow paint manufacturer's suggestions for proper application of paint & primer. (All steel parts provided are either galvanized and/or powder coated for extra protection, but priming and painting should be adequate for proper maintenance of equipment after it leaves the factory.)
- Storage: Unit can be stored outside, but if possible protected from the elements. Batting cage is designed with climatized and weather resistant materials, but will age over time. Aging is accelerated if exposed to the weather, especially in Northern regions where freezing is expected during winter months. If possible, as part of seasonal storage, store indoors (net can be removed if desired to extend the life of this item; see catalog or call number listed above if replacement net is needed).