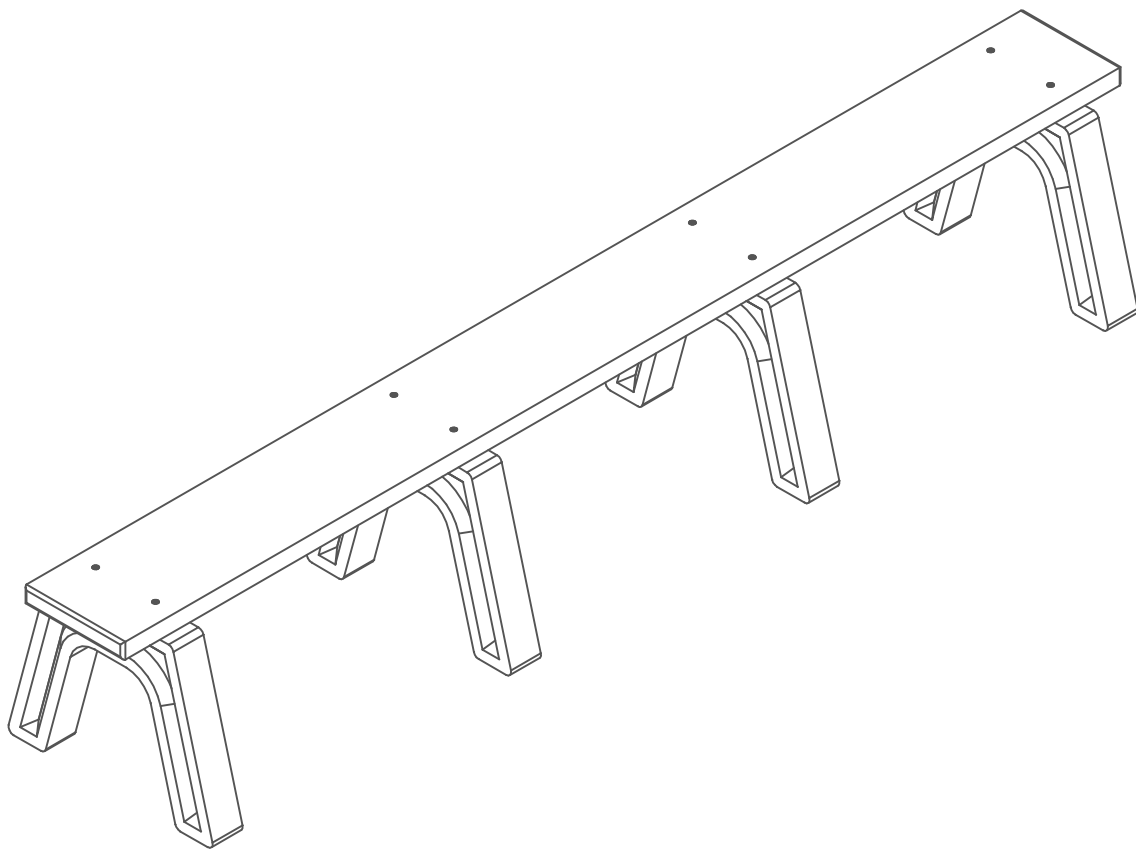


# 8 Foot Landmark Flat Park Bench

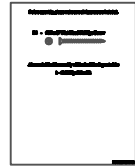
For Fastener Pack  
(FP-LB8F-CU-01)



Congratulations !!

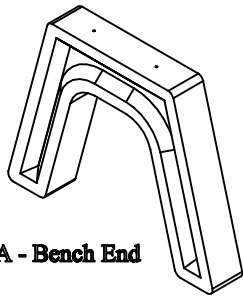
You have just purchased the finest recycled plastic  
park bench available. Enjoy !!!

Before assembly, please make sure all components are included.

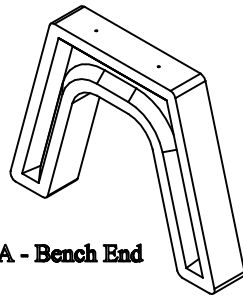


( 1 ) - One Fastener Pack  
FP-LB8F-CU-01

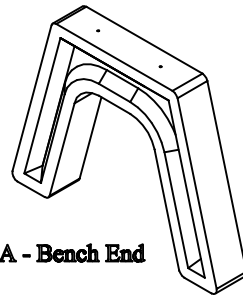
**FP - Fastener Pack**



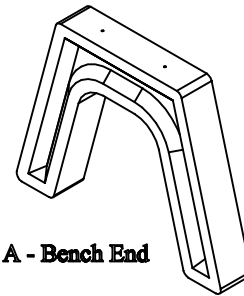
**A - Bench End**



**A - Bench End**



**A - Bench End**



**A - Bench End**

( 4 ) - Four Bench Ends  
PS-SFBE-L-01



**B - Bench Board**

( 1 ) - One Bench Board  
BP-LB8B-A-01

Before assembly, please make sure all fasteners are included.

8 - #12 x 3" Flat Head Phillips Screw

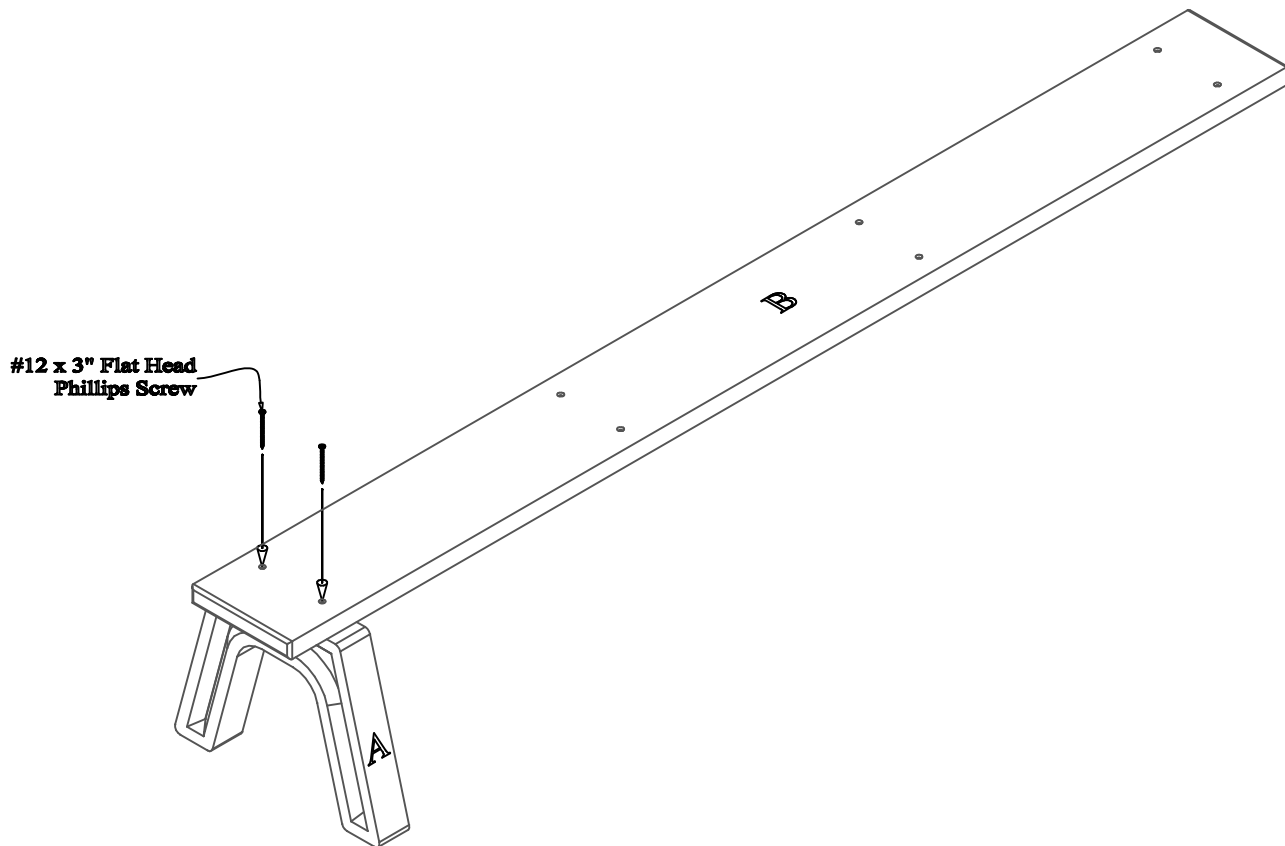


Also needed for this assembly will be the following materials:

1 - #3 Phillips Drive Bit

**\*IMPORTANT NOTICE\*:**

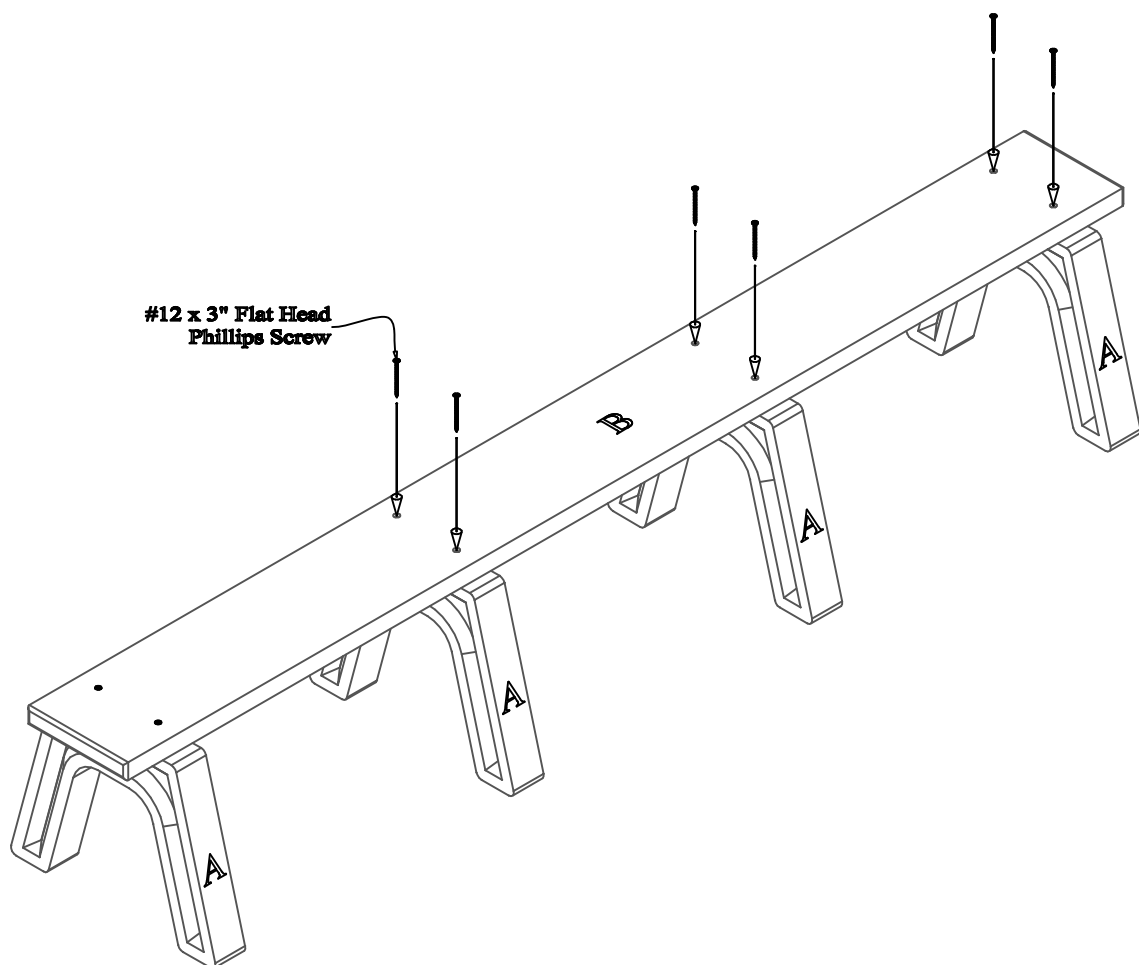
- \* DO NOT OVER-TIGHTEN SCREWS.
- \* USE A DRILL WITH ADJUSTABLE TORQUE FOR BEST RESULTS.
- \* OVER-TIGHTENING WILL RESULT IN STRIPPING OUT THE PILOT HOLE, AND SCREW WILL "SINK" INTO THE PLASTIC WHICH MAY CAUSE A STRESS FRACTURE.



**Step #1:**

Place (1) One Bench End in position as shown above being sure to align the pilot holes to the pre-drilled holes in the bench board. After the holes are properly aligned, fasten with (1) One #12 x 3" Flat Head Phillips Screw per hole to secure.

Note: Do not tighten screw completely. This will be done in a later step.



## Step #2:

Repeat step #1 for the remaining (3) Three Bench Ends in the positions shown above being sure to align the pilot holes to the pre-drilled holes in the bench boards. After the holes are properly aligned, fasten with (1) One #12 x 3" Flat Head Phillips Screw per hole to secure.

Note: Be sure to tighten all screw completely after this step.

**DO NOT OVER-TIGHTEN SCREWS**

DEAR VALUED CUSTOMER,

THANK YOU FOR PURCHASING THIS PRODUCT. THIS PRODUCT IS MANUFACTURED USING RECYCLED MATERIALS AND MAY HAVE SLIGHT COLOR VARIATIONS, OCCASIONAL SPECKS OF COLOR OR IRREGULAR SURFACE PATTERNS. THESE ARE NORMAL CONDITIONS OF RECYCLED PLASTICS AND MAKE EACH PIECE OF FURNITURE UNIQUE. THESE CHARACTERISTICS DO NOT AFFECT THE STRENGTH, QUALITY OR PERFORMANCE OF THE PRODUCT.

THANK YOU AGAIN FOR PURCHASING THIS PRODUCT AND HELPING OUR ENVIRONMENT.