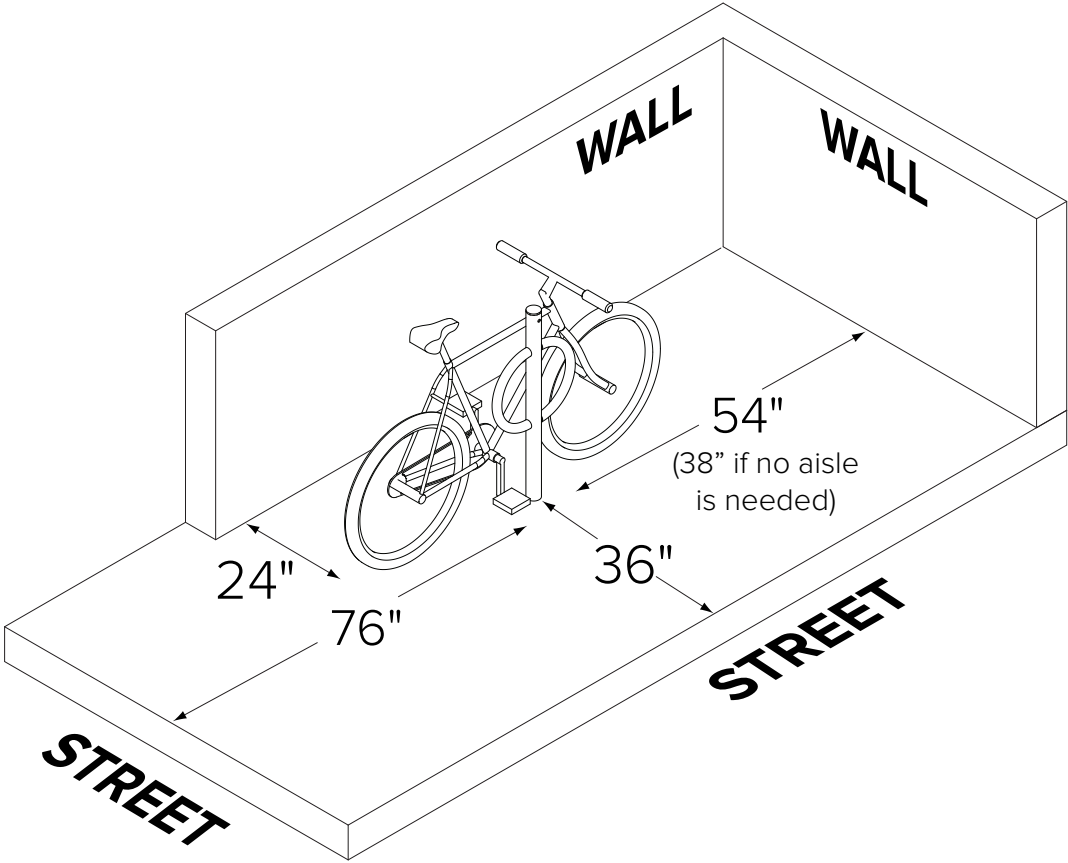


**ICON HITCH™**  
Setbacks

---



# ICON HITCH™

## Installation Instructions – Surface Mount

---

### TOOLS NEEDED

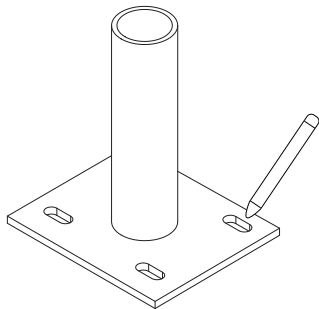
Tape Measure  
Marker or Pencil  
Masonry Drill Bit  
Drill (Hammer drill recommended)  
Hammer  
Wrench 9/16"  
Level  
Washers (for leveling if necessary)

### RECOMMENDED BASE MATERIAL

Solid concrete is the best base material for installation. To ensure the proper anchors are shipped with your rack, ask your Dero Rack representative which anchor is appropriate for your application. Be sure nothing is underneath the base material that could be damaged by drilling.

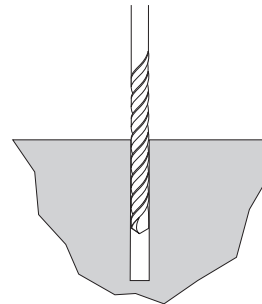
---

**1**



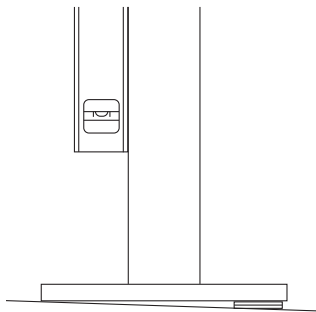
Place the rack in the desired location. Use a marker or pencil to outline the holes of the flange onto the base material.

**2**



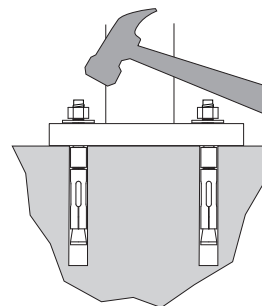
Drill 3/8" diameter holes 3" deep into surface. Make sure the holes are at least 3" away from any cracks in the base material.

**3**



Place rack (and washers to level rack if necessary) over holes.

**4**



Thread nuts onto anchors, leaving approximately 1/4" of the anchor protruding, and tap into surface. Tighten nuts down to secure rack.

**TERRA BOUND**  
**SOLUTIONS™**

20020 Hickory Twig Way | Spring, TX 77388 | Toll Free: 1-877-857-2915