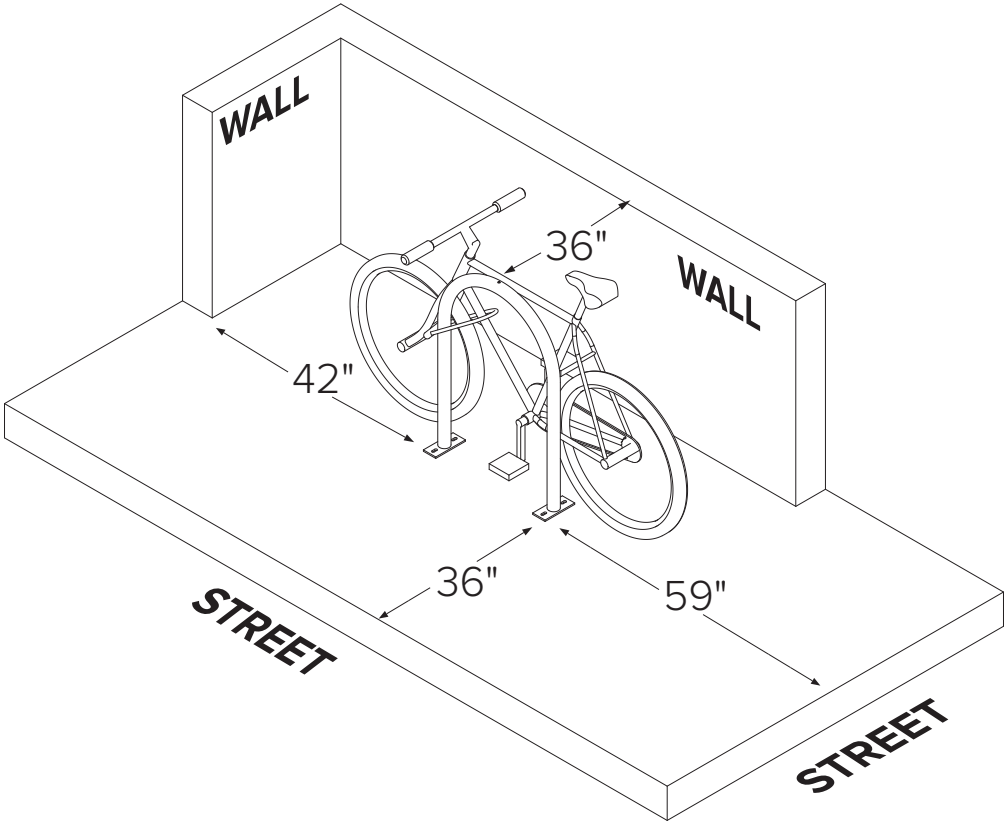


# HOOP RACK

## Setbacks

---



# HOOP RACK

## Installation Instructions – Surface Mount

---

### TOOLS NEEDED

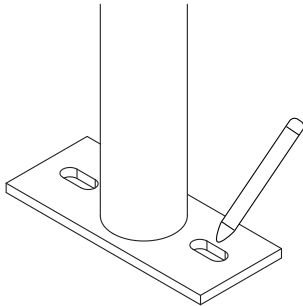
Tape Measure  
Marker or Pencil  
Masonry Drill Bit  
Drill (Hammer drill recommended)  
Hammer  
Wrench 9/16"  
Level

### RECOMMENDED BASE MATERIAL

Solid concrete is the best base material for installation. To ensure the proper anchors are shipped with your rack, ask your Dero Rack representative which anchor is appropriate for your application. Be sure nothing is underneath the base material that could be damaged by drilling.

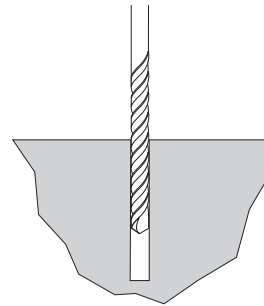
---

**1**



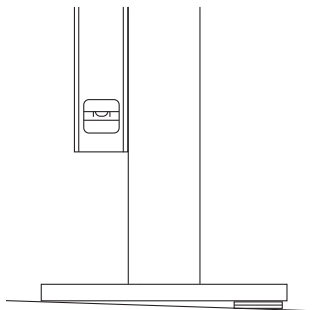
Place the rack in the desired location. Use a marker or pencil to outline the holes of the flange onto the base material.

**2**



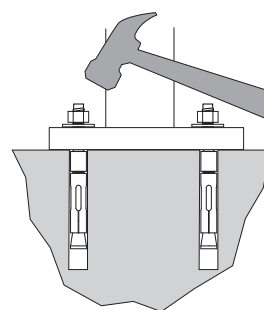
Drill 3/8" diameter holes 3" deep into surface. Make sure the holes are at least 3" away from any cracks in the base material.

**3**



Place rack (and washers to level rack if necessary) over holes.

**4**



Thread nuts onto anchors, leaving approximately 1/4" of the anchor protruding, and tap into surface. Tighten nuts down to secure rack.

**TERRA BOUND**  
SOLUTIONS™

# HOOP RACK

## Installation Instructions – In Ground Mount

### TOOLS NEEDED

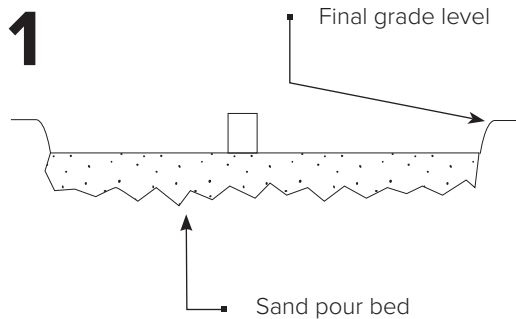
Level  
Cement mixing tub  
Shovel  
Trowel

Hole coring machine with 4" bit  
Access to water hose  
Materials to build brace (see "Install Tip" at bottom of page)

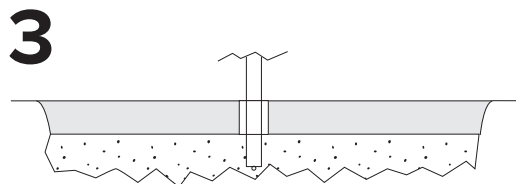
### INSTALLING INTO EXISTING SIDEWALK

Core holes no less than 3" diameter (4" recommended) and 10" deep into sidewalk. Fill holes with Por-Rok or epoxy grout. Place rack into holes, making sure the rack is level. 33"-36" of the rack should remain above the surface. If the rack is less than 33" high, it will not support the bike adequately. Make sure the rack is level and held in place until the grout has set.

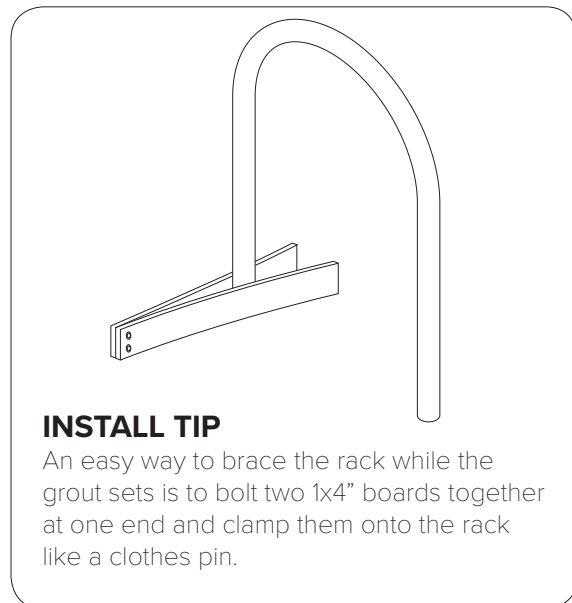
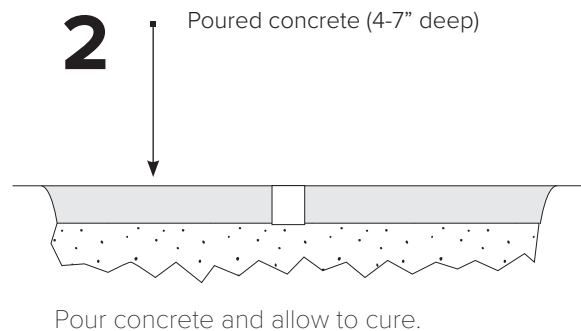
### INSTALLING INTO A NEW SIDEWALK



Place corrosion resistant sleeve (min. 3" inside diameter) in sand pour bed in exact location where rack will be installed. Make sure top of sleeve is at same level as desired finished concrete surface. Fill sleeve with sand to keep it in place and prevent it from filling with concrete.



After appropriate cure time, dig out sand from sleeves and insert racks, making sure they are level and at the appropriate height. Pour in Por-Rok or epoxy grout and allow to set.



**TERRA BOUND**  
SOLUTIONS™

# HOOP RACK

## Rail Mounted Options

### RAIL MOUNTED HOOPS

Rail mounted Hoop Racks are standard foot mounted Hoop Racks attached with bolts to a rail as in the diagram at left. Rail mounted racks provide more flexibility than other mounting options while providing the same degree of security.

Rail mounted Hoop Racks can be left freestanding, or they can be anchored to the ground using several anchors. This option allows for easier snow removal and sweeping. Installation of Rail mounted Hoops is also much less expensive than embedding the racks into the ground.

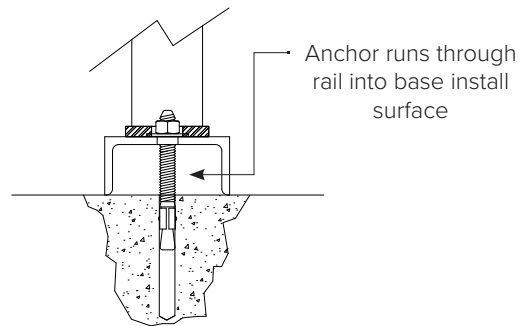
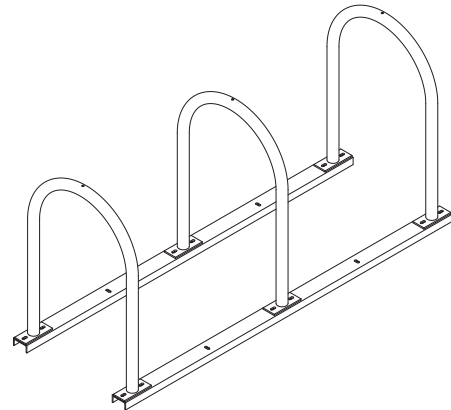
\* Note: Though racks may be painted, the rails will remain with only a galvanized finish

### ADVANTAGES:

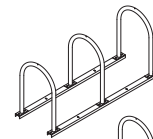
- Easier and inexpensive installation
- Can be left freestanding or anchored to the ground
- Easier to remove for sweeping and snow removal

### APPLICATIONS:

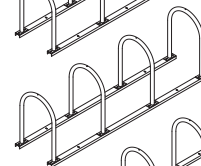
- Installation to pavers
- Asphalt Installations
- Ground, dirt, or mulch
- Situations where the rack needs to be moved occasionally



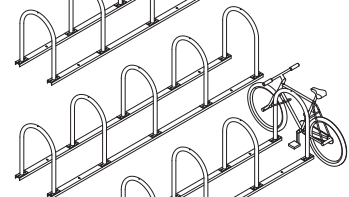
3 Unit Rack  
69" Long  
Parks 6 Bikes



4 Unit Rack  
100.5" Long  
Parks 8 Bikes



5 Unit Rack  
132" Long  
Parks 10 Bikes



6 Unit Rack  
163.5" Long  
Parks 12 Bikes



**TERRA BOUND**  
SOLUTIONS™

# HOOP RACK

## Installation Instructions – Rail Mount

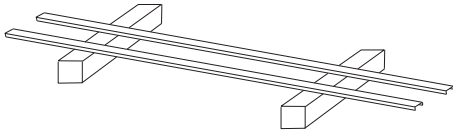
### TOOLS NEEDED

9/16" Socket set  
Two 4"x4"x28" (or larger) blocks  
4 bolts, nuts and washers for every Hoop (included with rack). If using a tamper resistant nuts, install two tamper resistant nuts with each Hoop.

### ANCHORING THE RAILS

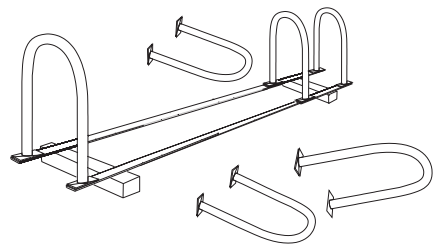
To anchor the rails to concrete, place 3.75" wedge anchor through holes in the rail into the concrete. Secure with nut.

1



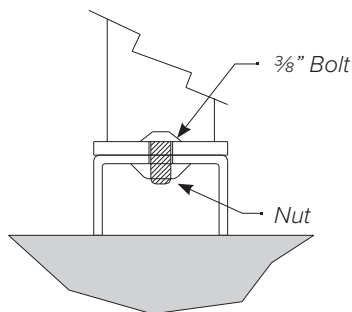
Lay out the two channel beams where the rack will be placed. Place the two beams on top of the two blocks of wood so that the open part of the channel faces the ground.

2



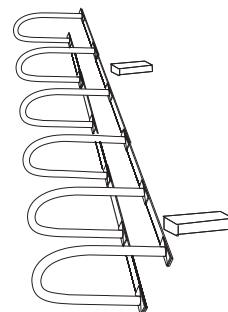
Place Hoop Racks on beams so holes in rack flanges line up with beam slots

3



Put bolts through Hoop Rack flange holes and beams so bolt head faces up. HAND tighten the nuts using new flange nuts.

4



Once nuts are on, tip assembled rack over and use a 9/16" socket to tighten nuts. Before fully tightening nuts, make sure the racks are straight on beams. If using tamper resistant nuts, use access tool to tighten nuts. Do not overtighten the tamper resistant nuts. Tip rack upright.

