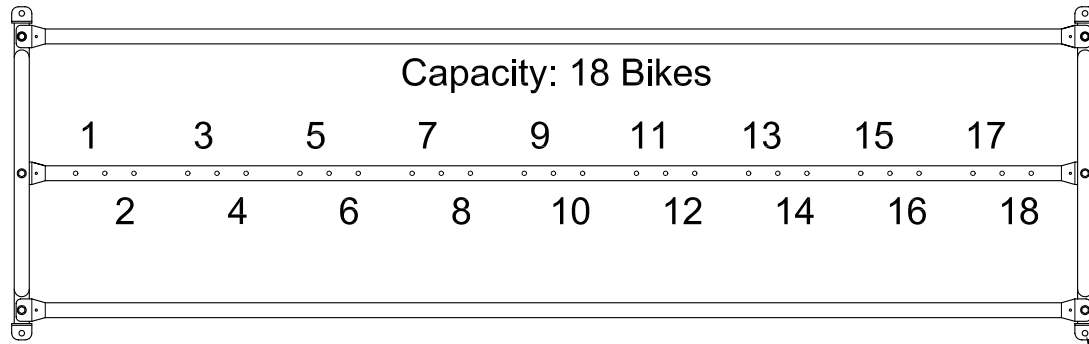


# ASSEMBLY INSTRUCTIONS

## And Specifications

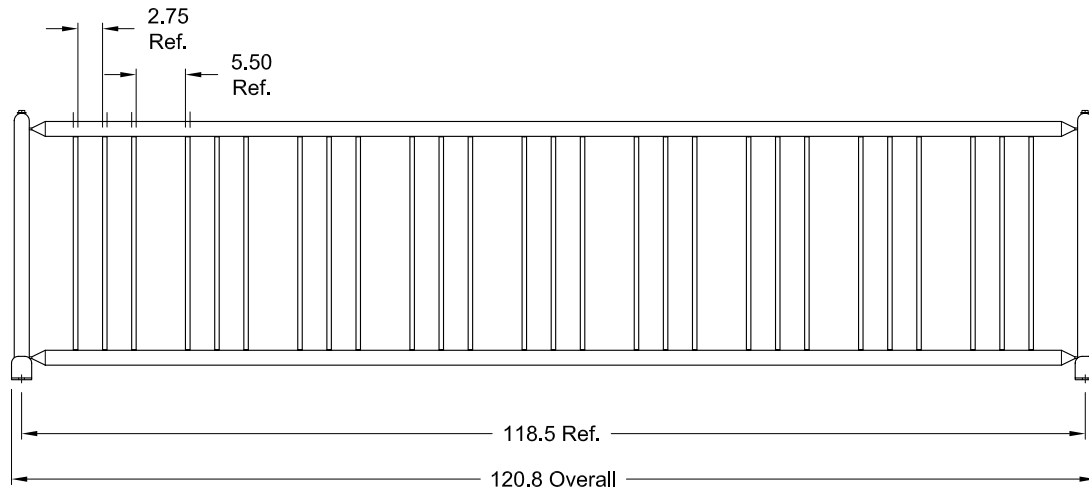


### Material Specifications:

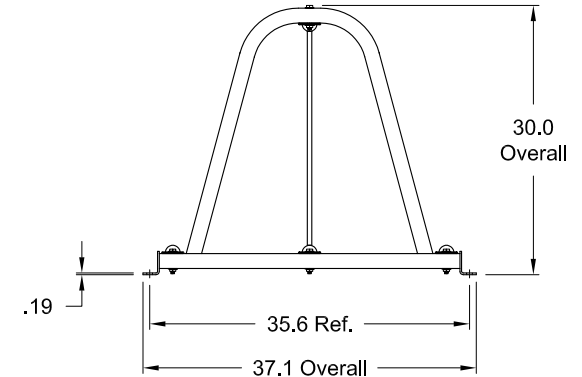
1-5/8" O.D. Steel Tube  
 1/2" O.D. Solid Steel Rod  
 Stainless Steel Hardware

### Coating:

Polyester Powder Finish  
 (Hot Dipped Galvanizing also available)



5/8" Dia. Holes for  
 Anchor Bolts  
 (Not Included)



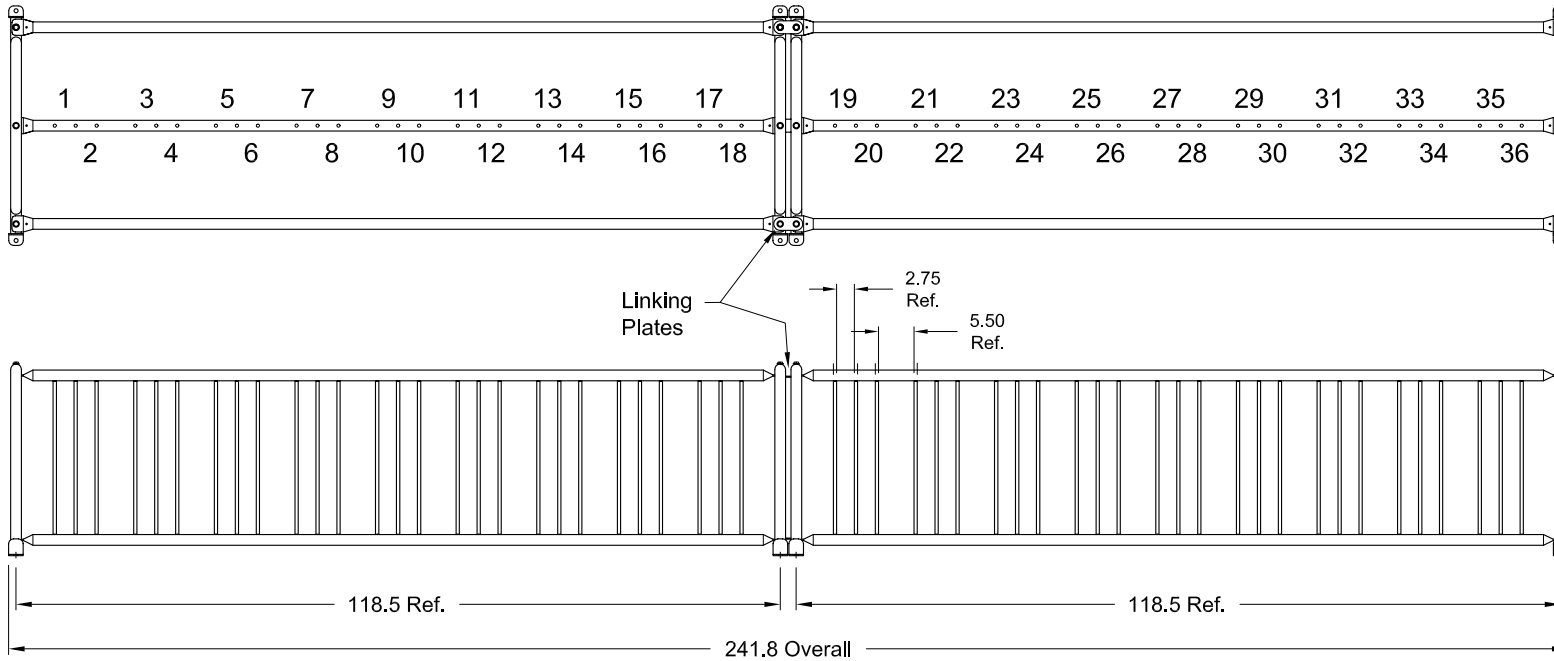
**BIKE RACK ASSEMBLY, GRID TYPE, 18 BIKE, 10 FT**  
**MODEL: BRG18-P (Painted Frame)**

ITEM NO.	DESCRIPTION	PART NO.	QTY.
1	BIKE RACK FRAME, Grid Style	-	2
2	BRACE F/ SURF. MNT. TRAD 18 BIKE RACK	51050600	2
3	LADDER F/ Grid Style 18 BIKE RACK	-	1
4	3/8-16 x 2.50 HHCS, SS	200000878	8
5	3/8 Flat Washer, SS	-	4
6	HEX NUT, 3/8-16 SS	200009776	8
7	WASHER, LOCK, 3/8 SS	-	8

# ASSEMBLY INSTRUCTIONS

## And Specifications

Capacity: 36 Bikes



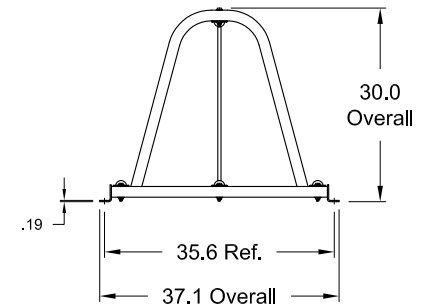
### Material Specifications:

1-5/8" O.D. Steel Tube  
 1/2" O.D. Solid Steel Rod  
 Stainless Steel Hardware

### Coating:

Polyester Powder Finish  
 (Hot Dipped Galvanizing also available)

5/8" Dia. Holes for  
 Anchor Bolts  
 (Not Included)



## BIKE RACK ASSEMBLY, GRID TYPE, 36 BIKE, 20 ft.

MODEL: BRG36-P (Painted Frame)

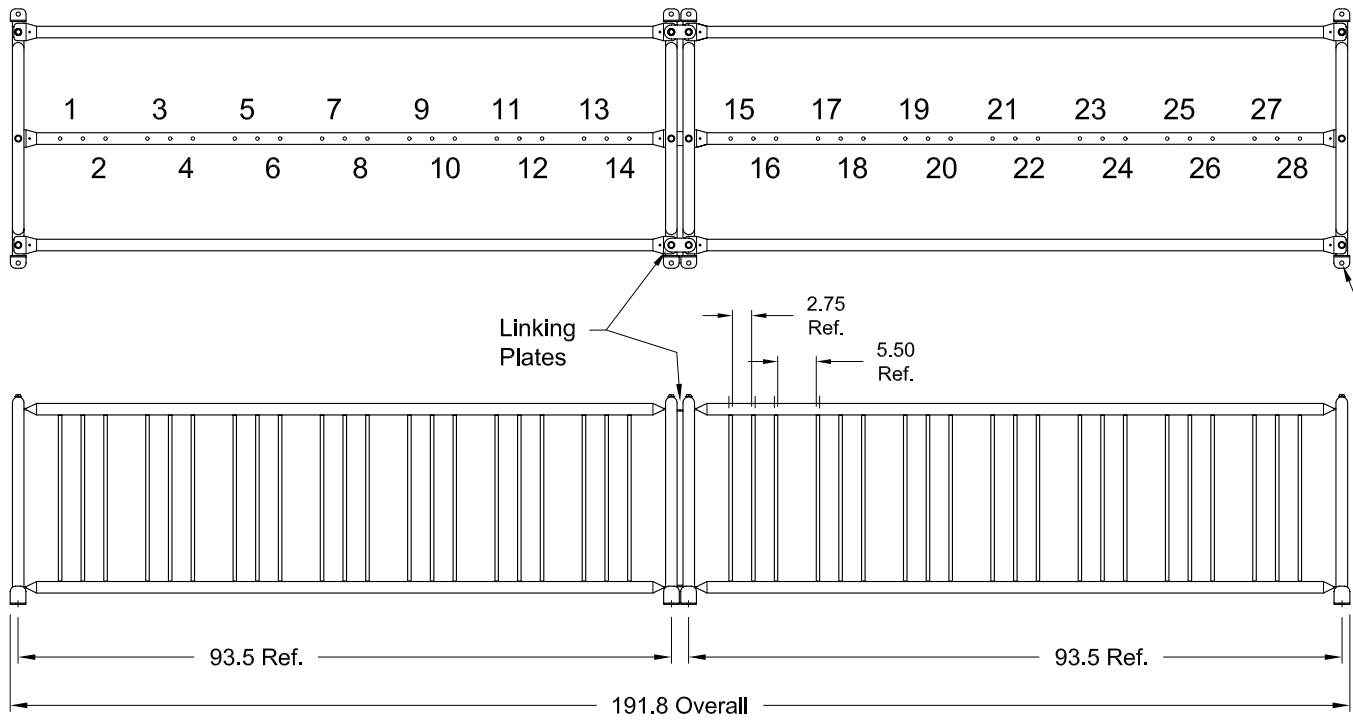
MODEL: BRG36-G (Hot Dipped Galvanized Frame)

ITEM NO.	DESCRIPTION	PART NO.	QTY.
1	BIKE RACK FRAME, Grid Style	-	4
2	BRACE F/ SURF. MNT. TRAD 18 BIKE RACK	51050600	4
3	LADDER F/ Grid Style 18 BIKE RACK	-	2
4	3/8-16 x 2.50 HHCS, SS	200000878	16
5	3/8 Flat Washer, SS	-	8
6	HEX NUT, 3/8-16 SS	200009776	16
7	WASHER, LOCK, 3/8 SS	-	16
8	LINKING PLATE	-	3

# ASSEMBLY INSTRUCTIONS

## And Specifications

Capacity: 28 Bikes

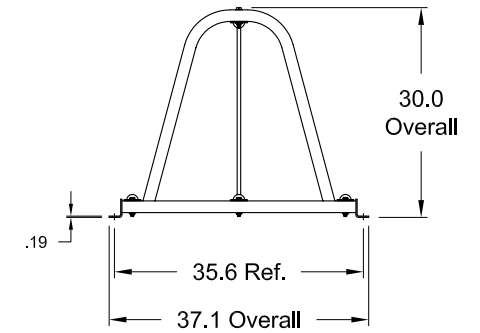


### Material Specifications:

1-5/8" O.D. Steel Tube  
 1/2" O.D. Solid Steel Rod  
 Stainless Steel Hardware

### Coating:

Polyester Powder Finish  
 (Hot Dipped Galvanizing also available)



## BIKE RACK ASSEMBLY, GRID TYPE, 28 BIKE, 16 ft.

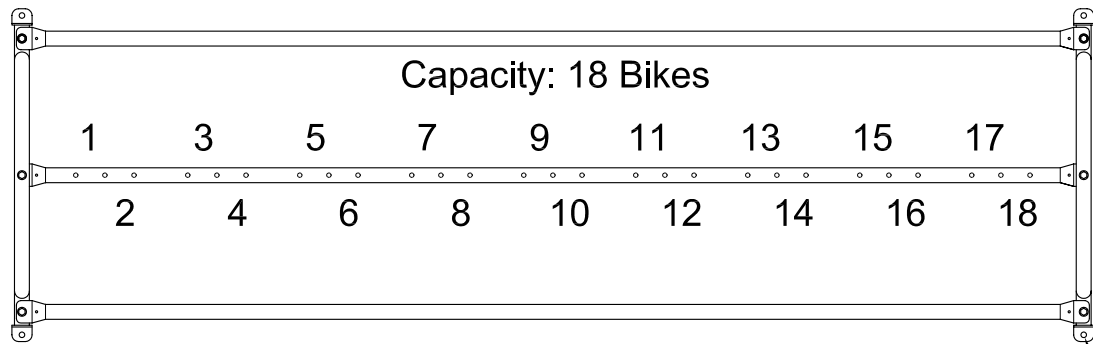
MODEL: BRG28-P (Painted Frame)

MODEL: BRG28-G (Hot Dipped Galvanized Frame)

ITEM NO.	DESCRIPTION	PART NO.	QTY.
1	BIKE RACK FRAME, Grid Style	-	4
2	BRACE F/ SURF. MNT. TRAD 14 BIKE RACK	51050600	4
3	LADDER F/ Grid Style 14 BIKE RACK	-	2
4	3/8-16 x 2.50 HHCS, SS	200000878	16
5	3/8 Flat Washer, SS	-	8
6	HEX NUT, 3/8-16 SS	200009776	16
7	WASHER, LOCK, 3/8 SS	-	16
8	LINKING PLATE	-	3

# ASSEMBLY INSTRUCTIONS

## And Specifications

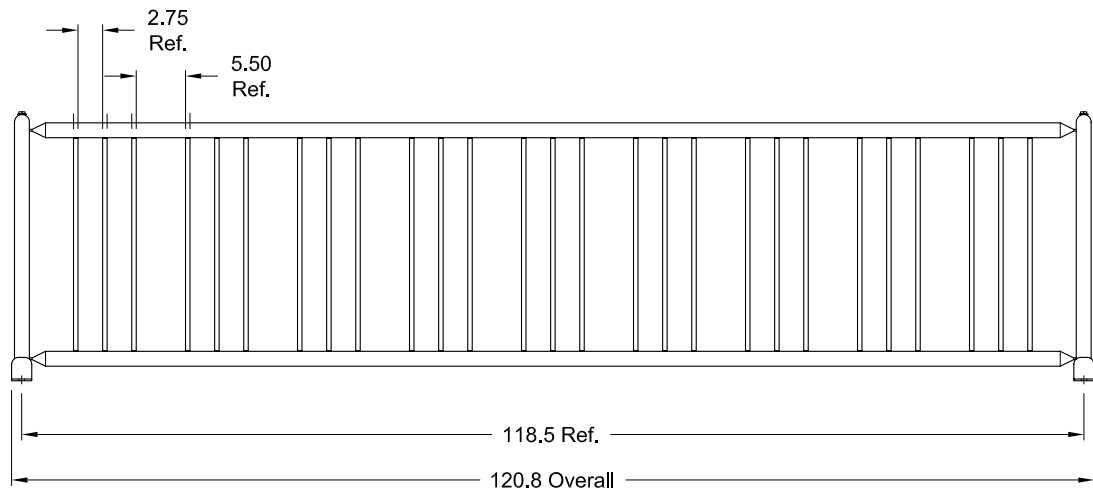


### Material Specifications:

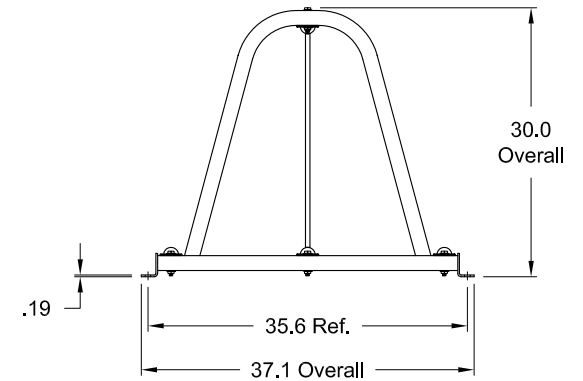
1-5/8" O.D. Steel Tube  
1/2" O.D. Solid Steel Rod  
Stainless Steel Hardware

### Coating:

Polyester Powder Finish  
(Hot Dipped Galvanizing also available)



5/8" Dia. Holes for  
Anchor Bolts  
(Not Included)



BIKE RACK ASSEMBLY, GRID TYPE, 18 BIKE, 10 ft.

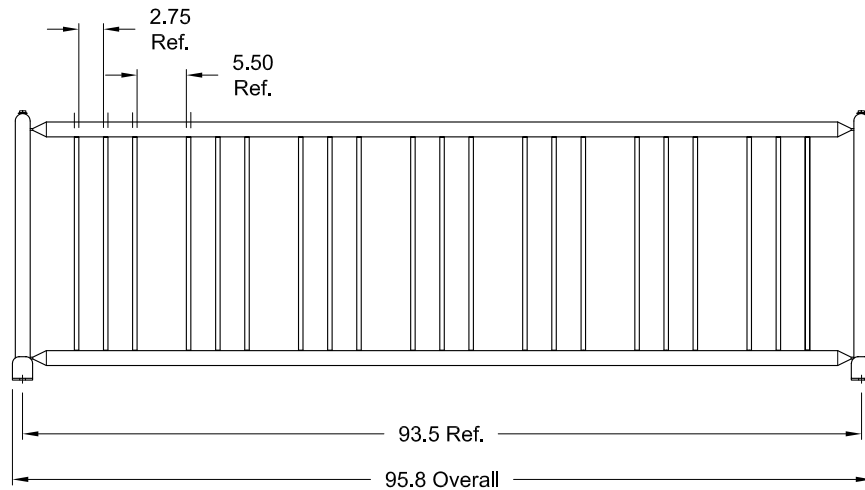
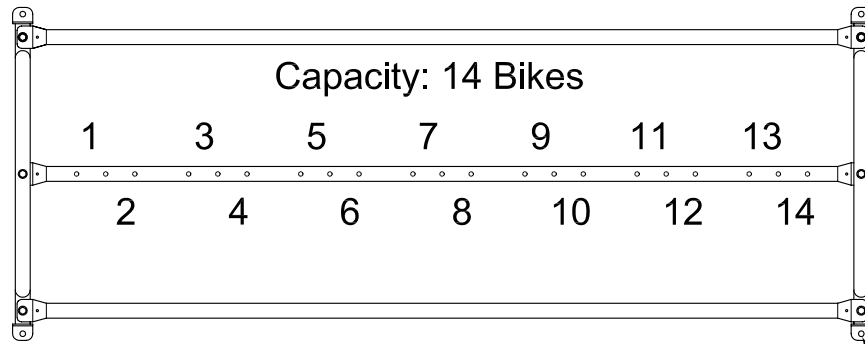
MODEL: BRG18-P (Painted Frame)

MODEL: BRG18-G (Hot Dipped Galvanized Frame)

ITEM NO.	DESCRIPTION	PART NO.	QTY.
1	BIKE RACK FRAME, Grid Style	-	2
2	BRACE F/ SURF. MNT. TRAD 18 BIKE RACK	51050600	2
3	LADDER F/ Grid Style 18 BIKE RACK	-	1
4	3/8-16 x 2.50 HHCS, SS	200000878	8
5	3/8 Flat Washer, SS	-	4
6	HEX NUT, 3/8-16 SS	200009776	8
7	WASHER, LOCK, 3/8 SS	-	8

# ASSEMBLY INSTRUCTIONS

## And Specifications



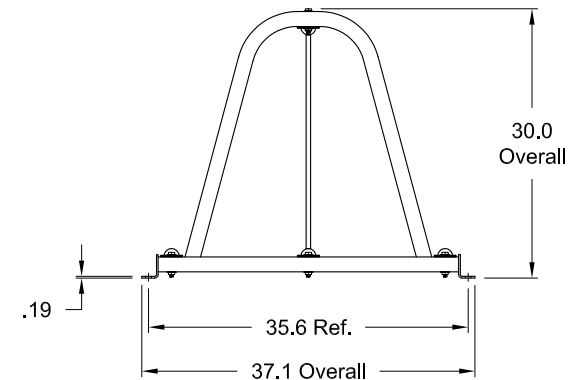
5/8" Dia. Holes for Anchor Bolts (Not Included)

### Material Specifications:

1-5/8" O.D. Steel Tube  
1/2" O.D. Solid Steel Rod  
Stainless Steel Hardware

### Coating:

Polyester Powder Finish  
(Hot Dipped Galvanizing also available)

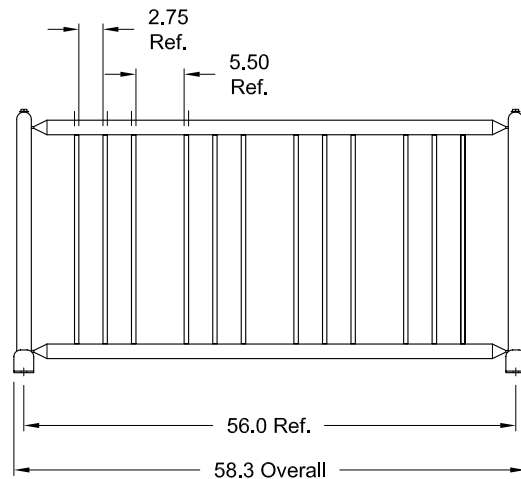
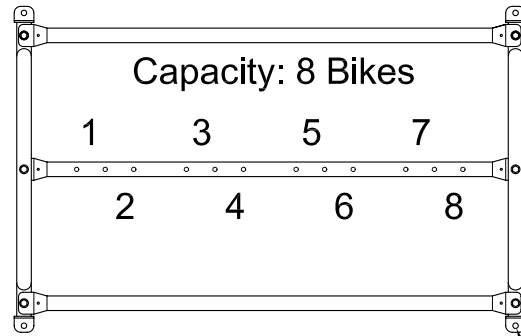


BIKE RACK ASSEMBLY, GRID TYPE, 14 BIKE, 8 ft.  
MODEL: BRG14-P (Painted Frame)  
MODEL: BRG14-G (Hot Dipped Galvanized Frame)

ITEM NO.	DESCRIPTION	PART NO.	QTY.
1	BIKE RACK FRAME, Grid Style	-	2
2	BRACE F/ SURF. MNT. TRAD 14 BIKE RACK	-	2
3	LADDER F/ Grid Style 14 BIKE RACK	-	1
4	3/8-16 x 2.50 HHCS, SS	200000878	8
5	3/8 Flat Washer, SS	-	4
6	HEX NUT, 3/8-16 SS	200009776	8
7	WASHER, LOCK, 3/8 SS	-	8

# ASSEMBLY INSTRUCTIONS

## And Specifications



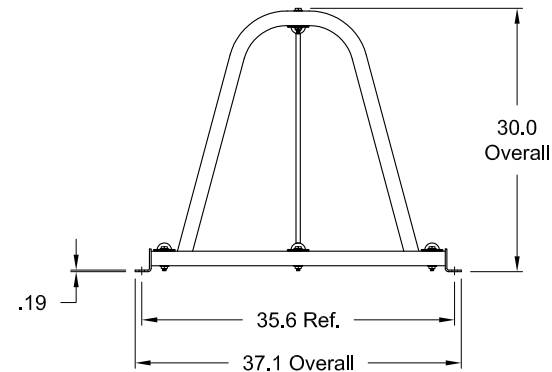
5/8" Dia. Holes for Anchor Bolts (Not Included)

### Material Specifications:

1-5/8" O.D. Steel Tube  
1/2" O.D. Solid Steel Rod  
Stainless Steel Hardware

### Coating:

Polyester Powder Finish  
(Hot Dipped Galvanizing also available)



BIKE RACK ASSEMBLY, GRID TYPE, 8 BIKE, 5 ft.  
MODEL: BRG8-P (Painted Frame)  
MODEL: BRG8-G (Hot Dipped Galvanized Frame)

ITEM NO.	DESCRIPTION	PART NO.	QTY.
1	BIKE RACK FRAME, Grid Style	-	2
2	BRACE F/ SURF. MNT. TRAD 8 BIKE RACK	-	2
3	LADDER F/ Grid Style 8 BIKE RACK	-	1
4	3/8-16 x 2.50 HHCS, SS	200000878	8
5	3/8 Flat Washer, SS	-	4
6	HEX NUT, 3/8-16 SS	200009776	8
7	WASHER, LOCK, 3/8 SS	-	8