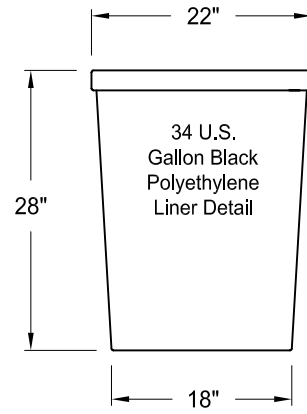
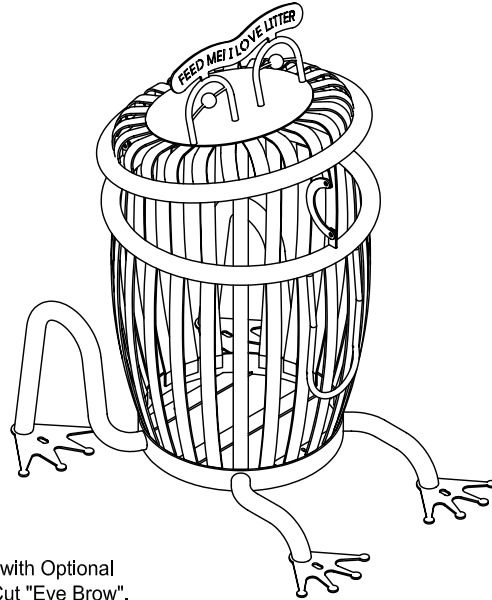
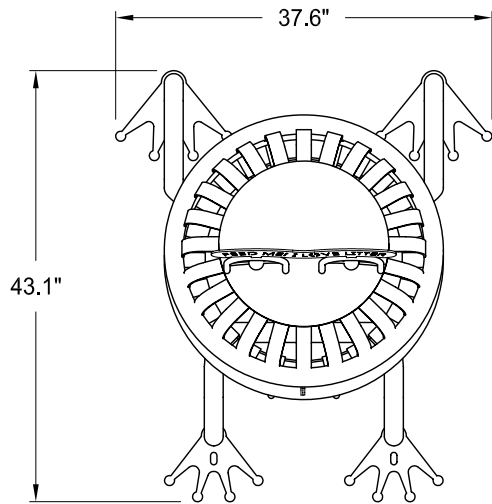


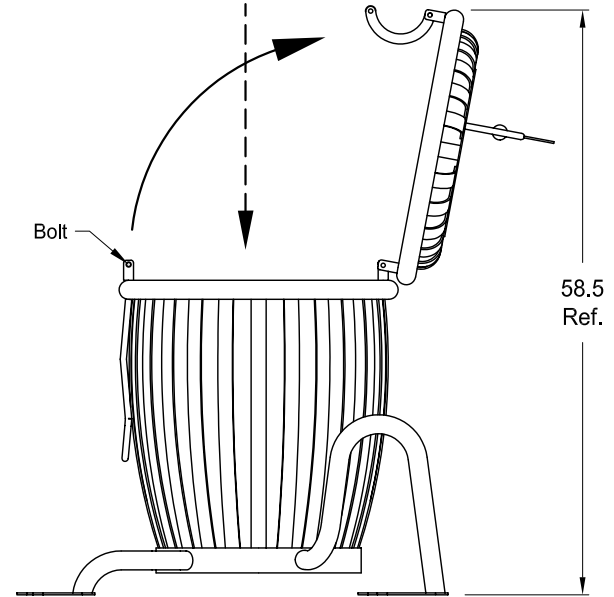
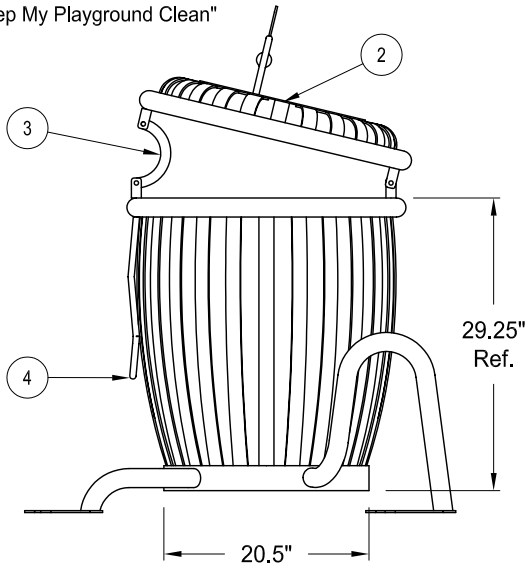
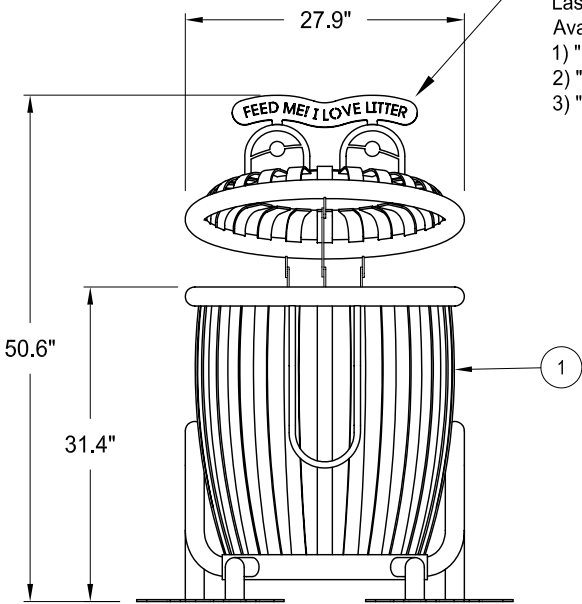
BREAK ALL EDGES AND CORNERS



To Remove Litter:

- 1) Remove Bolt from bottom of Lid Strut.
- 2) Carefully Tilt Lid Back.
- 3) Remove Liner or Bag within Liner

Shown with Optional Laser-Cut "Eye Brow". Available Text:
 1) "Feed Me! I Love Litter"
 2) "Feed Me Plastic & Cans"
 3) "Keep My Playground Clean"



Materials:
 3/16" x 1.5" and 2.5" Steel Flat Bar
 3/16" Thick Steel Plate
 1.90" O.D. Steel Tube
 1/4" and 5/8" Diameter Steel Rod
 1.5" Diameter Steel Ball Bearing

Notes:
 Dimensions shown are in inches. Anchoring Hardware Not Included.
 These specifications are subject to change at the discretion of PEML.

Finish: Polyester Powder Top Coat over E-Coated Substrate.

ITEM	DESCRIPTION	P/N	QTY
1	BODY ASSY F/FROG LITTER RECEPTACLE	65062000	1
2	LID ASSY F/FROG LITTER RECEPTACLE	65062100	1
3	LID SUPPORT F/FROG LITTER RECEPTACLE	07128100	1
4	TONGUE F/FROG LITTER RECEPTACLE	55315900	1

REV	ECN	REVISION DESCRIPTION	DATE	BY
-	ERN--	NEW DRAWIN		

TOLERANCES UNLESS OTHERWISE NOTED:
 2 PLACE DEC. ±.030
 3 PLACE DEC. ±.010
 ANGLES ±1.0°

SCALE: 1:20
 DATE: 08Dec10
 DRAWN BY: DPH
 CHECKED BY: -
 SHEET 1 OF 1

TITLE
 Frog Creature Can Specifications
 Model: CCF34

DWG NO:
 REVISION -

THE IDEAS AND INFORMATION CONTAINED WITHIN THIS PRINT ARE CONFIDENTIAL AND MUST NOT BE LENT, COPIED OR USED WITHOUT WRITTEN CONSENT.