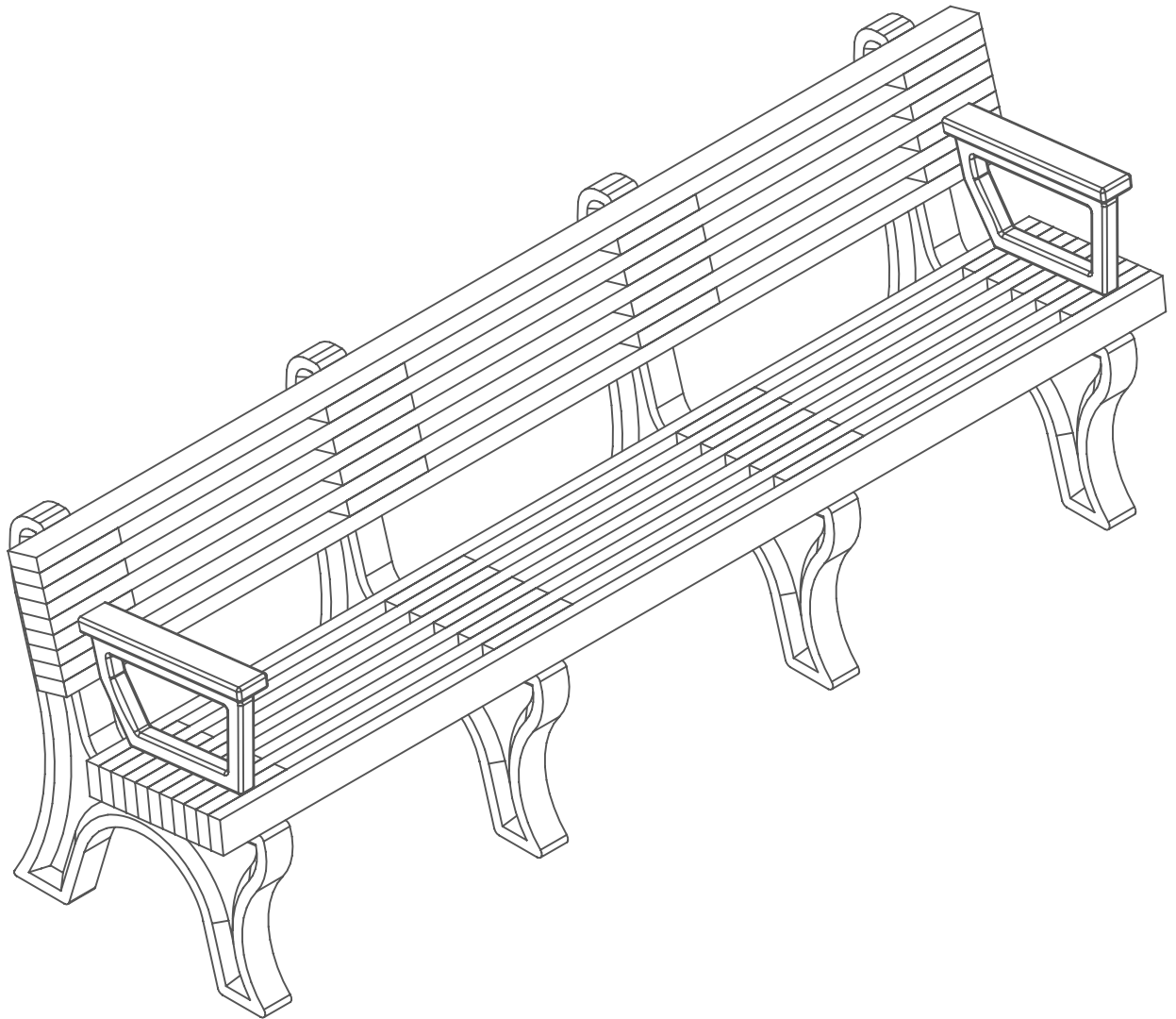


8 Foot Elite Bench w/ Arms

For Fastener Pack
(FP-EB8BA-CU-02)



Congratulations !!

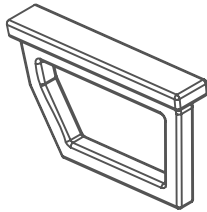
You have just purchased the finest recycled plastic
park bench available. Enjoy !!!

Before assembly, please make sure all components are included.

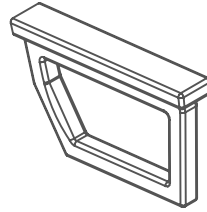


(1) - One Fastener Pack
FP-EB8BA-CU-02

FP - Fastener Pack

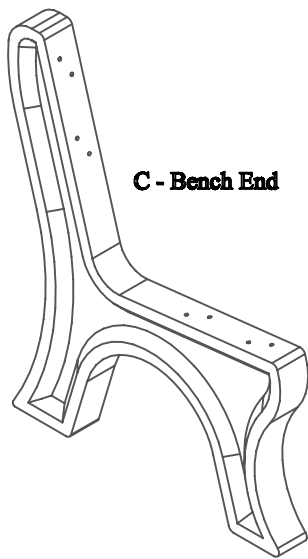


D - Bench Arm

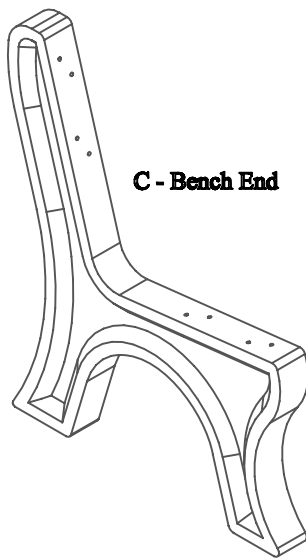


D - Bench Arm

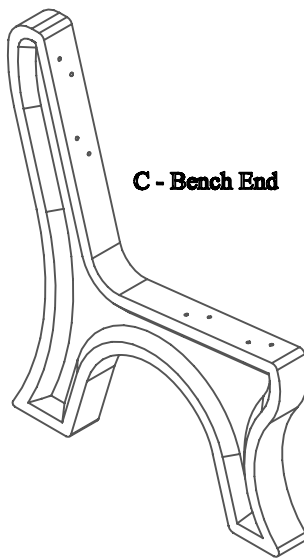
(2) - Two Bench Arms
BSA-EBA-A-01



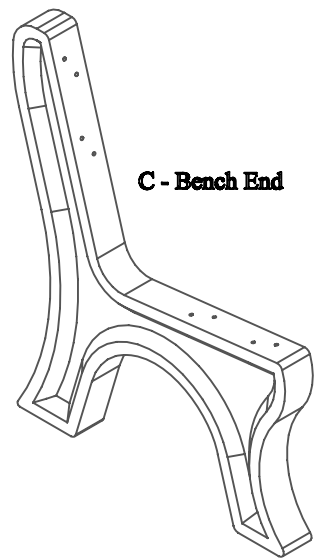
C - Bench End



C - Bench End

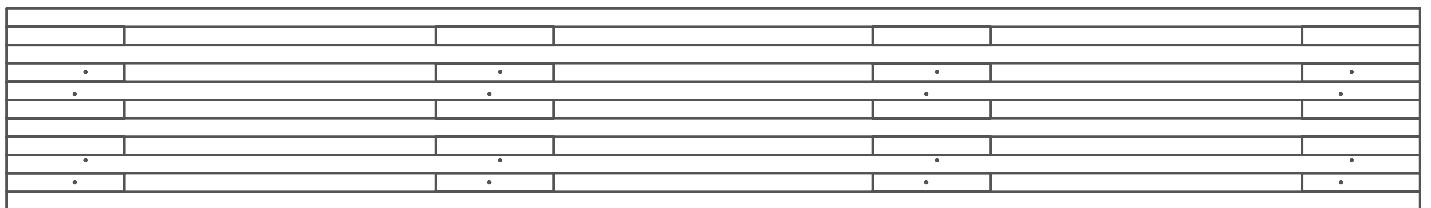


C - Bench End



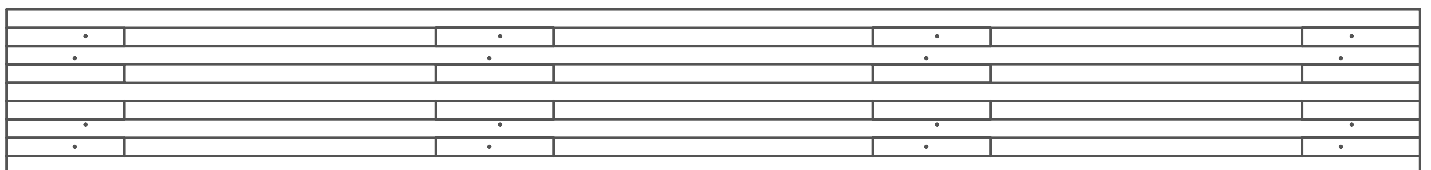
C - Bench End

(4) - Four Bench Ends
PS-SBBE-E-01



A - Seat Bench Board

(1) - One Seat Bench Board
BSA-EB8-B-02



B - Back Bench Board

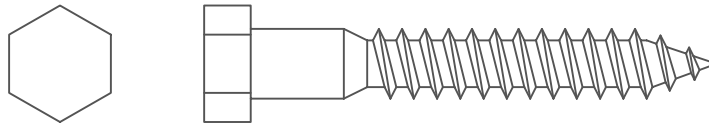
(1) - One Back Bench Board
BSA-EB8-C-02

Before assembly, please make sure all fasteners are included.

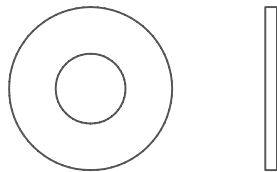
32 - #12 x 3" Flat Head Phillips Screw



6 - 3/8" x 2 1/2" Hex Head Lag Bolt



6 - 3/8" Flat Washer



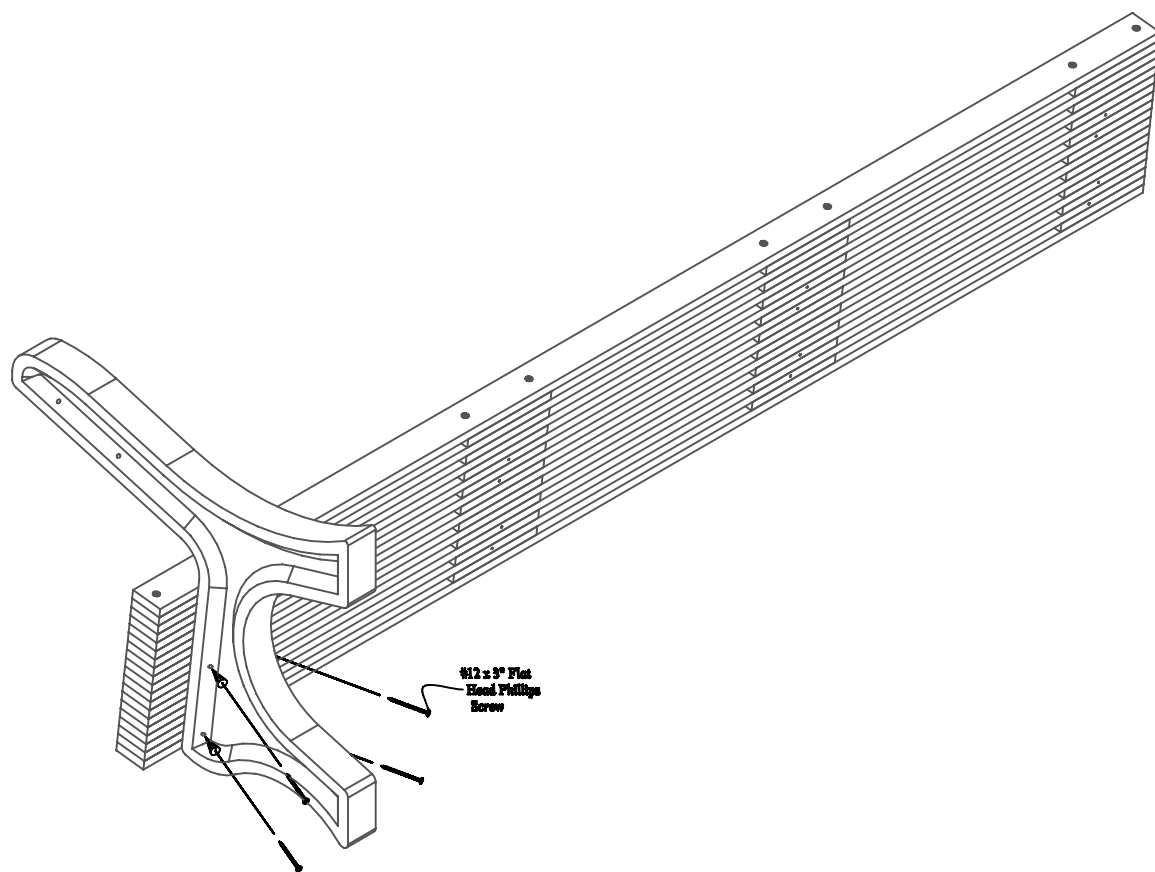
Also needed for this assembly will be the following materials:

1 - #3 Phillips Drive Bit

1 - 9/16" Socket Wrench

Step #1:

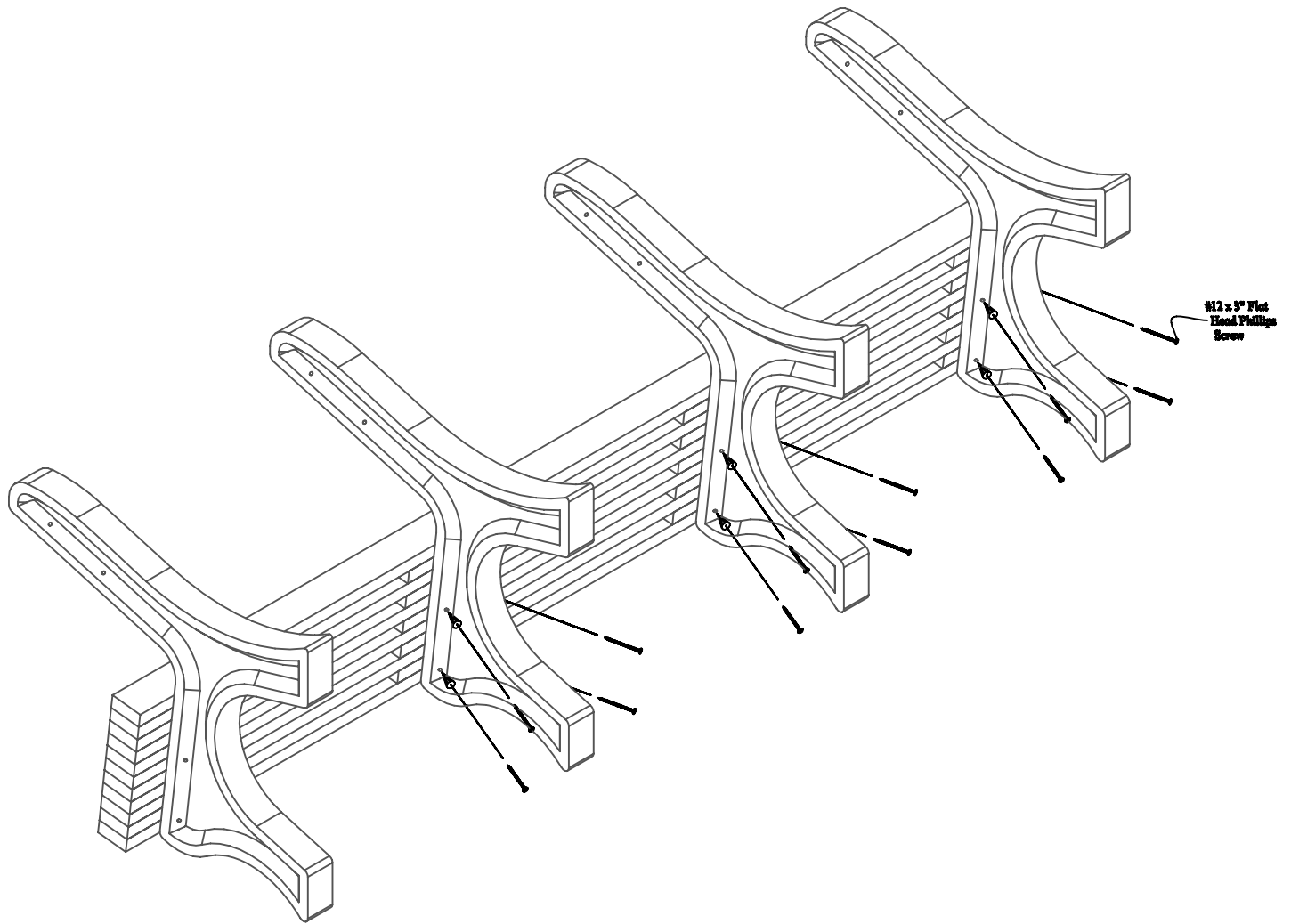
On the cardboard that the bench was shipped in stand the Seat Bench Board on edge with the pilot holes closer to the ground, on a level surface.



Step #2:

Place in position (1) One bench end as shown in diagram being sure to align the pilot holes to the pre-drilled holes in the bench end. After the holes are properly aligned, fasten with (1) One #12 x 3" Flat Head Phillips Screw per hole.

Note: Do not tighten screws completely. This will be done in a later step.



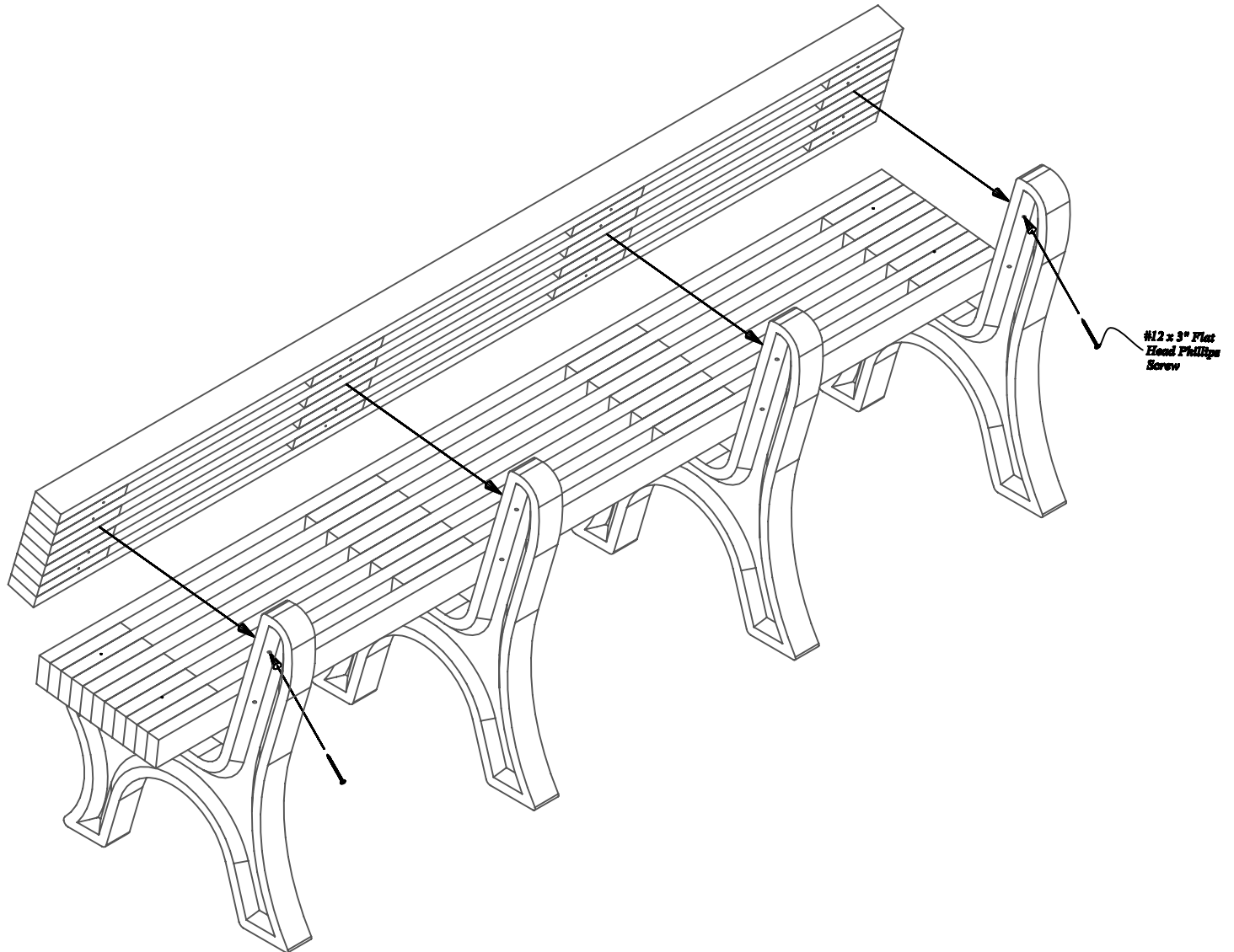
Step #3:

Repeat step #2 for the remaining (3) Three bench ends.

Note: Be sure to tighten all screws completely after this step.

Step #4

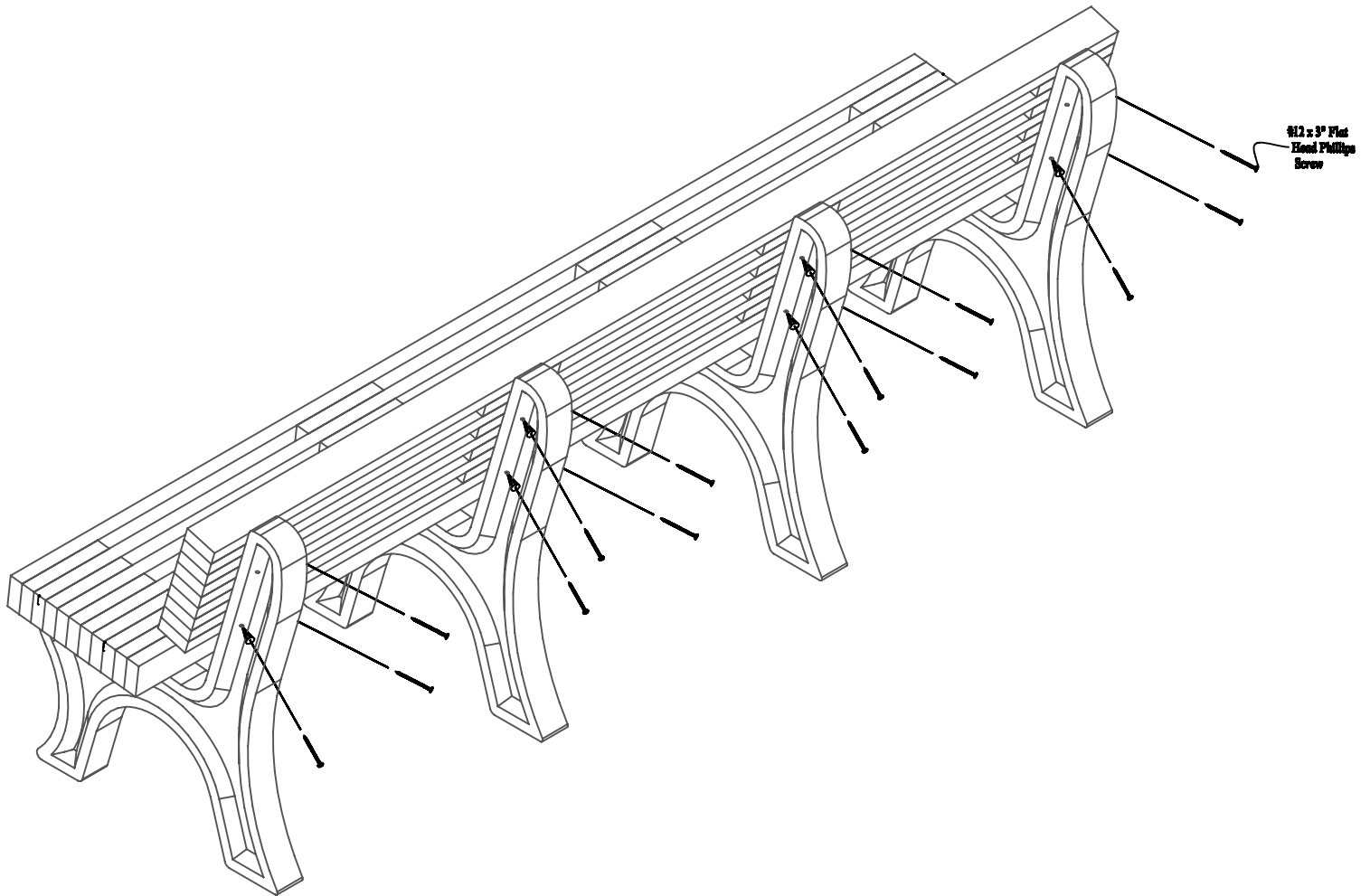
Place the bench in the up right position. Use care for the bench weighs approximately 150 pounds.



Step #5:

Place the Back Bench Board in position shown in diagram. Use (1) One #12 x 3" Flat Head Phillips Screw in the top hole of the left bench end. Repeat for the right bench end.

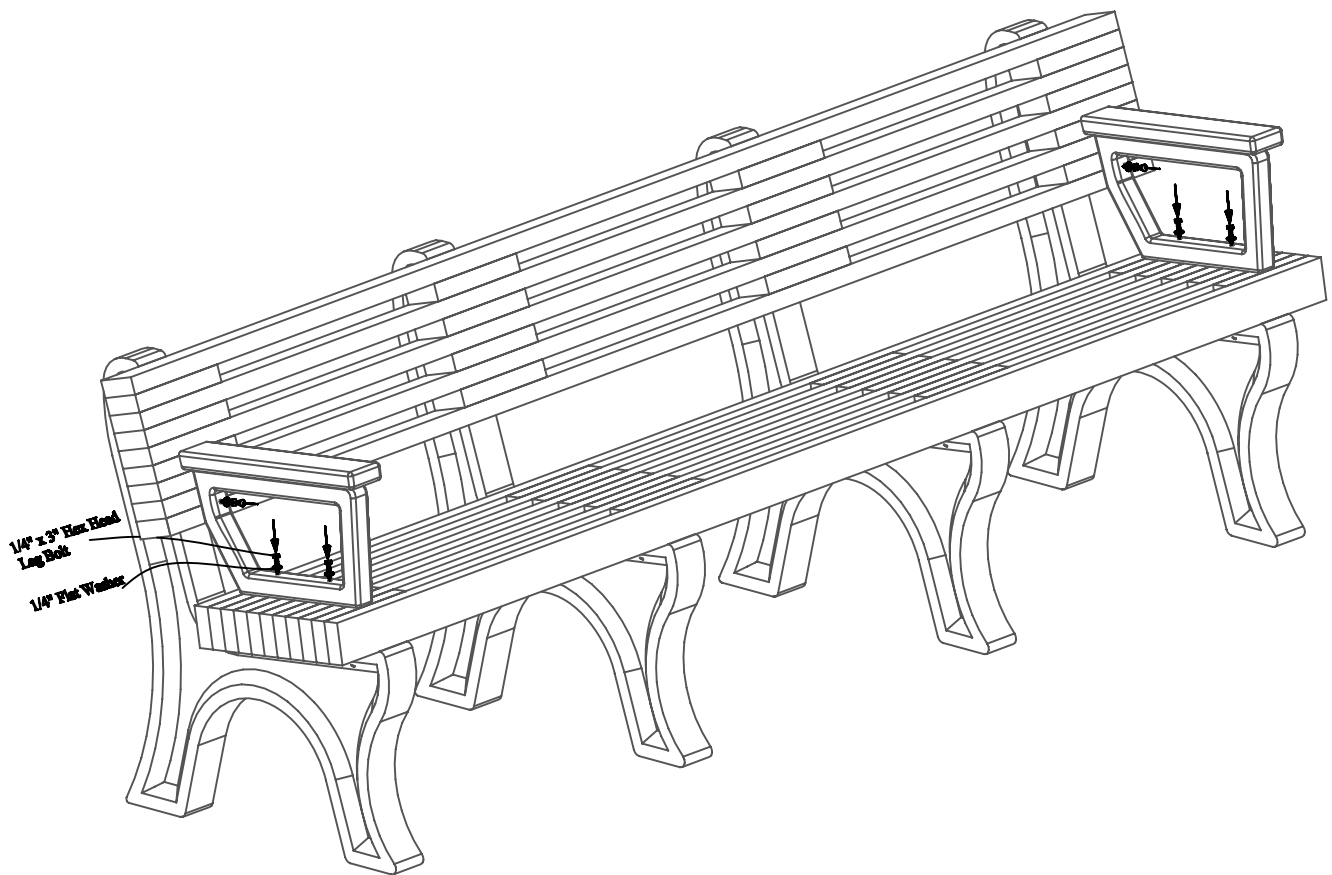
Note: Do not tighten screws completely. This will be done in a later step.



Step #6:

Using (1) One #12 x 3" Flat Head Phillips Screw per hole finish fastening the Back Bench Board to the bench ends.

Note: Be sure to tighten all screws completely after this step.



Step #7:

Align the pre-drilled holes on the Arm to the piloted holes on the seat bench board & the back bench board. After the holes are properly aligned, fasten with (1) One 1/4" Flat Washer and 1/4" x 3" Hex Head Lag Bolt per hole to fasten.