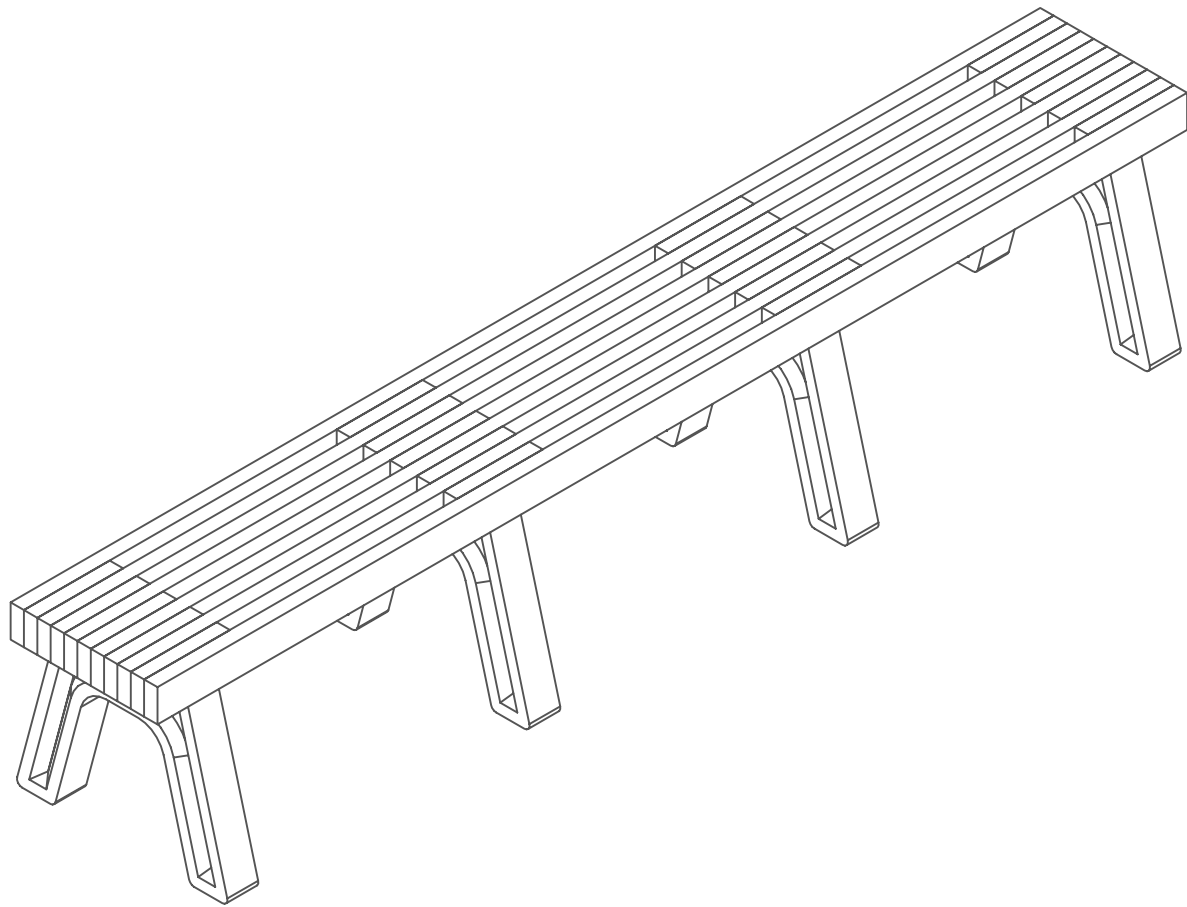


8 Foot Elite Flat Park Bench

For Fastener Pack
(FP-EB8F-CU-02)



Congratulations !!

You have just purchased the finest recycled plastic
park bench available. Enjoy !!!

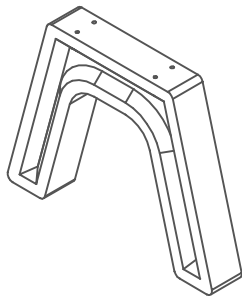
Before assembly, please make sure all components are included.



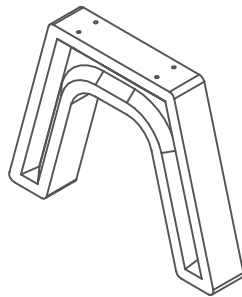
(1) - One Fastener Pack
FP-EB8F-CU-02

FP - Fastener Pack

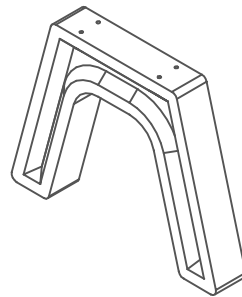
A - Bench End



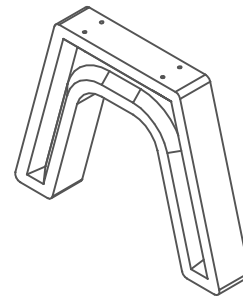
A - Bench End



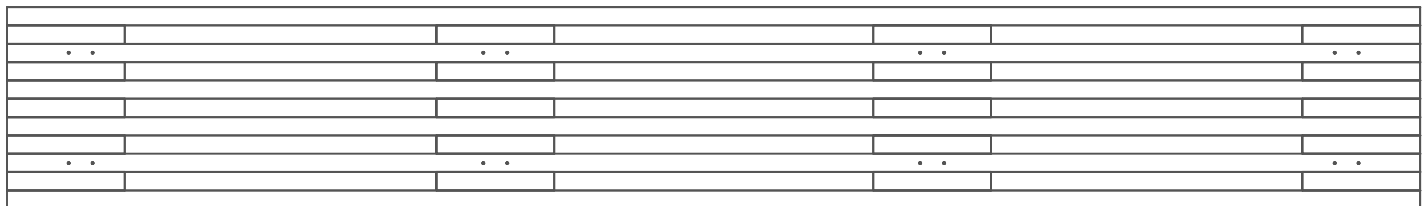
A - Bench End



A - Bench End



(4) - Four Bench Ends
PS-SFBE-EB-01



(1) - One Bench Board
BSA-EB8F-A-02

Before assembly, please make sure all fasteners are included.

16 - #12 x 2 1/2" Flat Head Phillips Screw



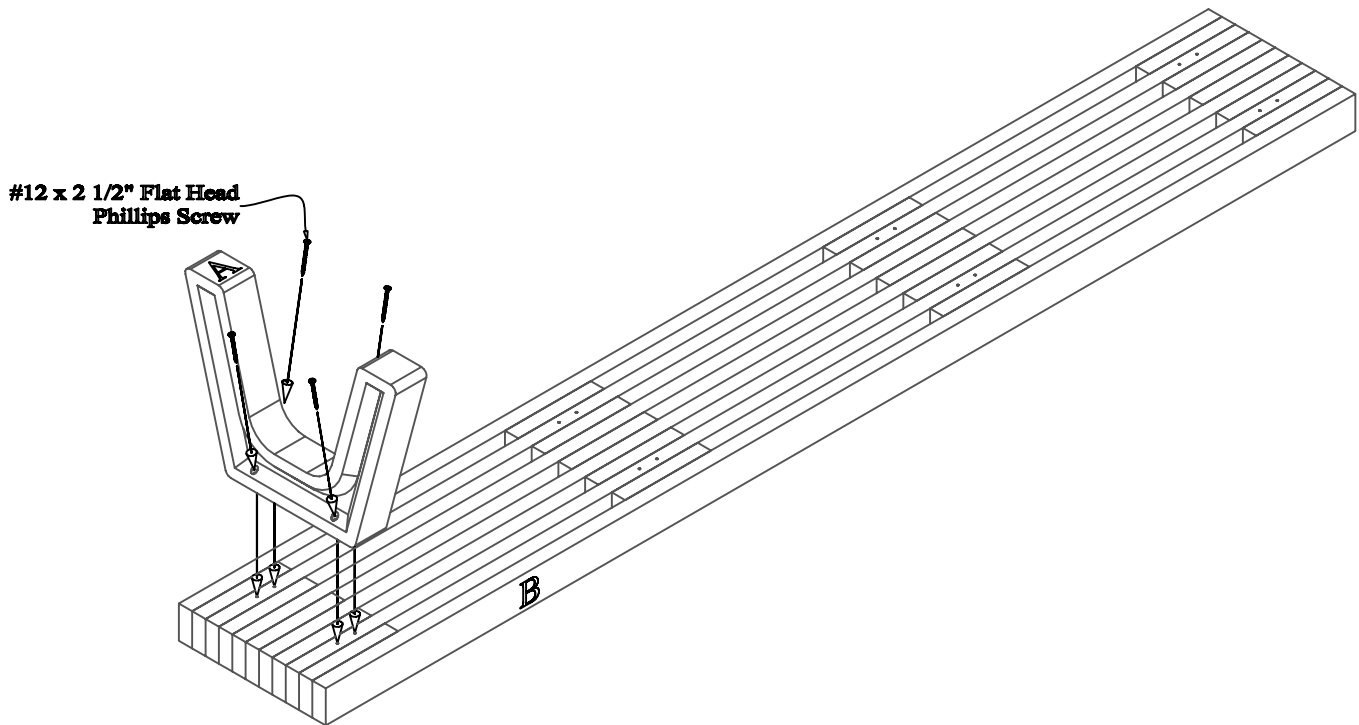
Also needed for this assembly will be the following materials:

1 - #3 Phillips Drive Bit

In order to make assembly a little easier, dip threads of fasteners in some liquid soap.

Step #1:

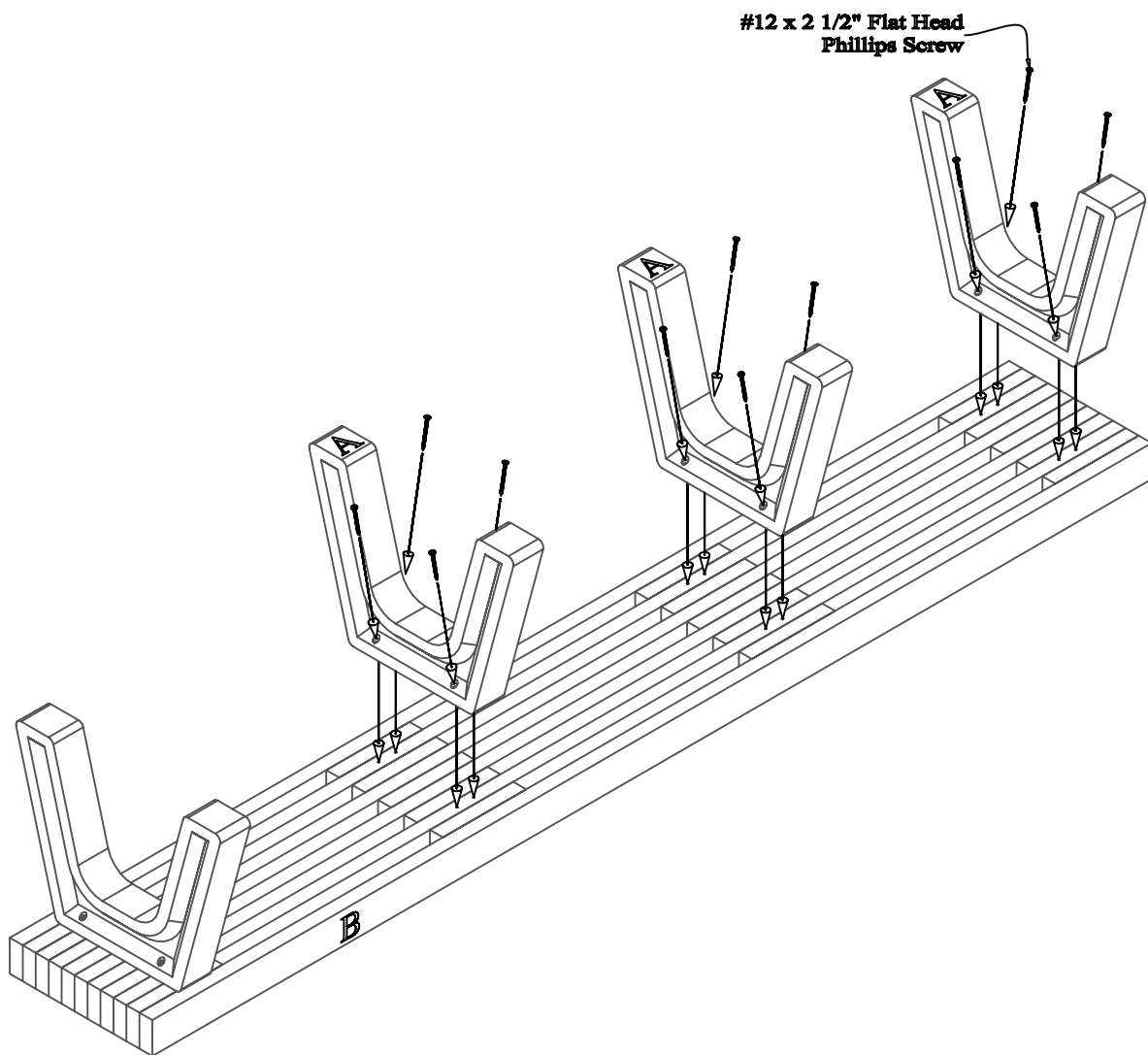
On a level surface place the Bench Board on the cardboard that your bench was shipped in with the pilot holes facing up.



Step #2:

Position (1) One Bench End being sure to align the pre-drilled holes to the pilot holes in the bench seat. After the holes are properly aligned, fasten with (1) One #12 x 2 1/2" Flat Head Phillips Screw per hole to secure.

Note: Do not tighten screws completely. This will be done in a later step



Step #3:

Align the remaining Bench Ends with the remaining pilot holes in the bench seat. After the holes are properly aligned, fasten with (1) One #12 x 2 1/2" Flat Head Phillips Screw per hole to secure.

Note: Be sure to tighten all screws completely after this step.