

The Youth Tables

ASM-OHTY • ASM-EPTY • ASM-RAT



ASM-EPTY

Black Bench Frame & Cedar Planks

The Economizer Youth Picnic Table is a scaled down version of our popular rectangular picnic tables, but designed for ages 3-9.

ASM-OHTY

Black Table Frame & Cedar Planks

The Open Hexagon Youth Picnic Table is a kid-sized version of our popular Open Hex table. It is perfect for kids ages 3-6, which makes it ideal for day care centers, preschool, parks and elementary schools.



ASM-RAT

Blue Sheet

The Round Activity Table provides a fun, kid-sized table made from brightly colored ³/₄" thick sheet of recyclable HDPE plastic. It's maintenance free and easy to keep clean. Perfect for use by ages 3-6 at a day care, preschool or any indoor/outdoor play area for arts and crafts or snack time.



See back of page for details and measurements

TERRA BOUND
SOLUTIONS™



Proudly made in the USA



Eco-Friendly Products



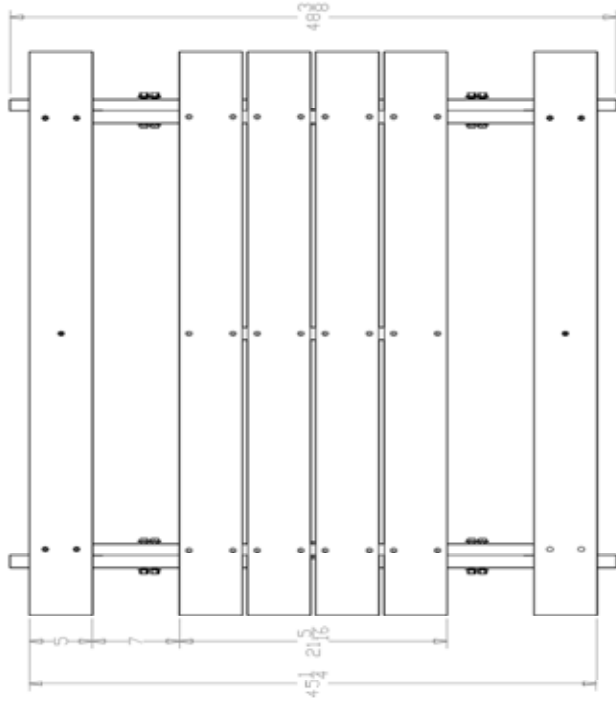
100% Recycled Product



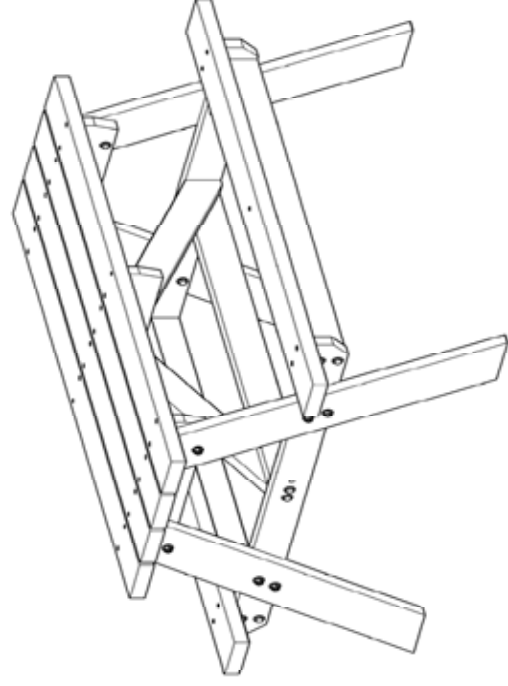
1-877-857-2915
terraboundsolutions.com

Economizer Youth Table

ASM-EPTY



- Seat Color Options
- Heavy duty/weather resistant/maintenance free!
 - No need to stain or paint
 - Resists fading, peeling and graffiti as the color is molded all the way through
 - Can be surface mounted with brackets (sold separately)
 - Stainless steel fasteners do not corrode nor rust

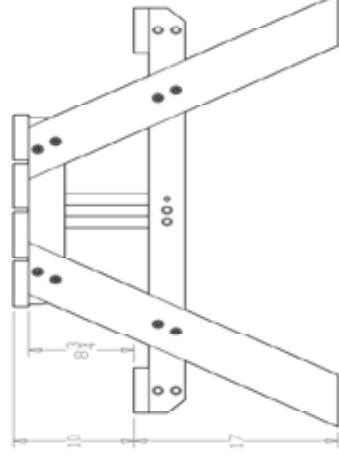
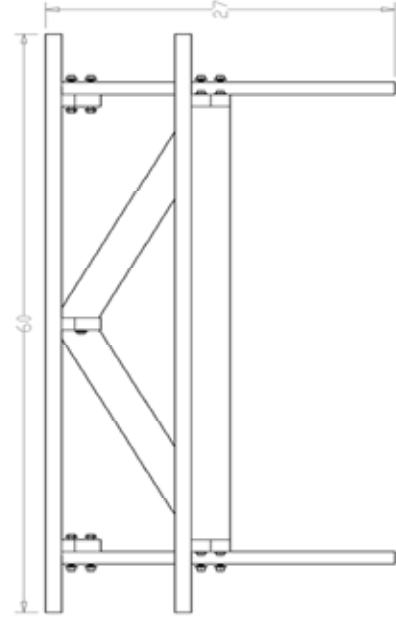


Weight Capacity

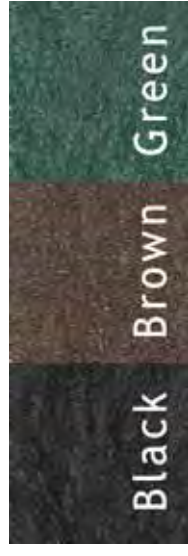
400 lbs

Product Weight

115 lbs

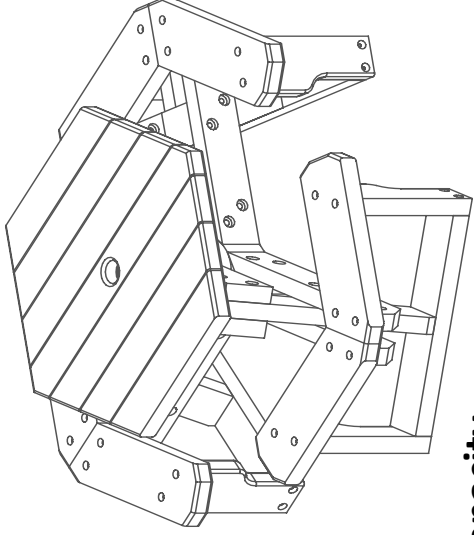
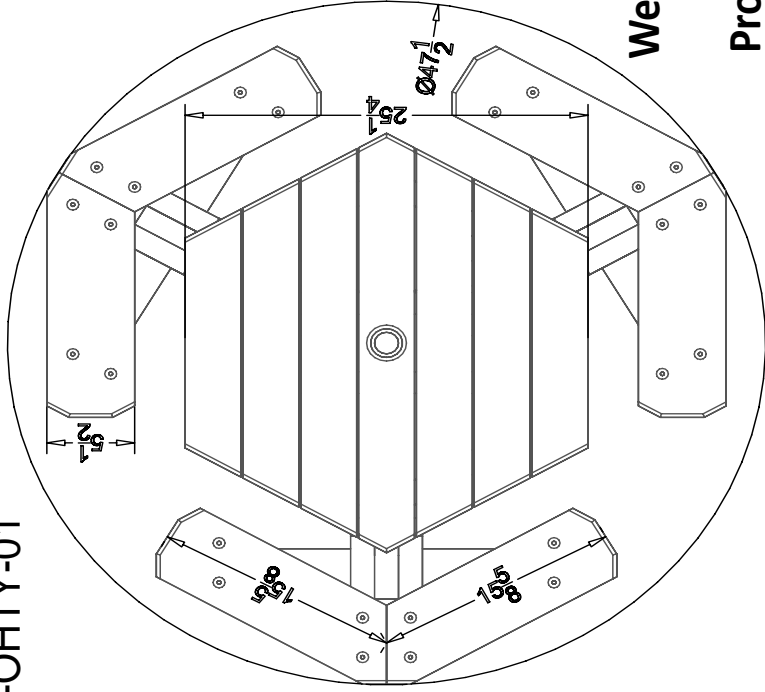


Frame Color Options



Open Hexagon Youth Table

ASM-OHTY-01

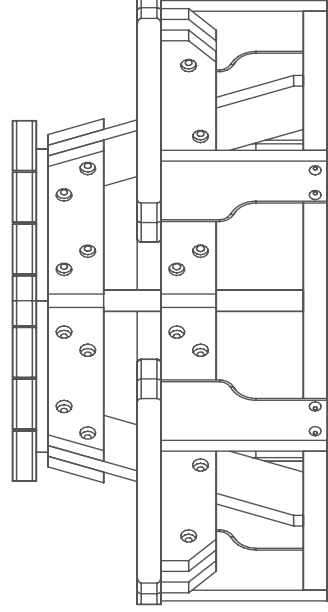
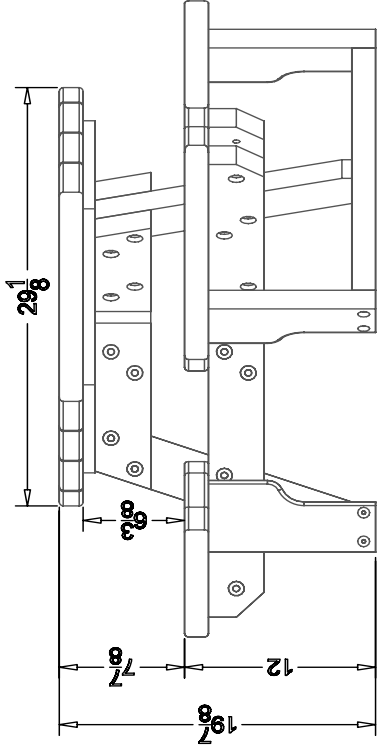


Weight Capacity

400 lbs

Product Weight

128 lbs

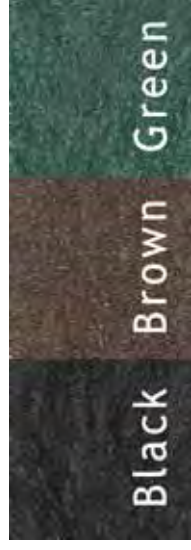


Seat Color Options

- Heavy duty/weather resistant/maintenance free!
- No need to stain or paint
- Resists fading, peeling and graffiti as the color is molded all the way through
- Can be surface mounted with brackets (sold separately)
- Stainless steel fasteners do not corrode nor rust

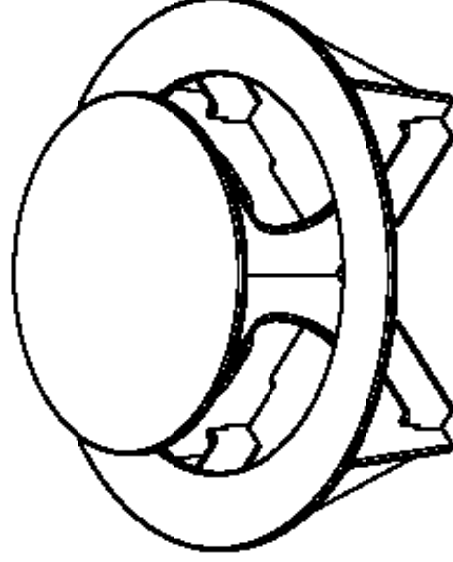
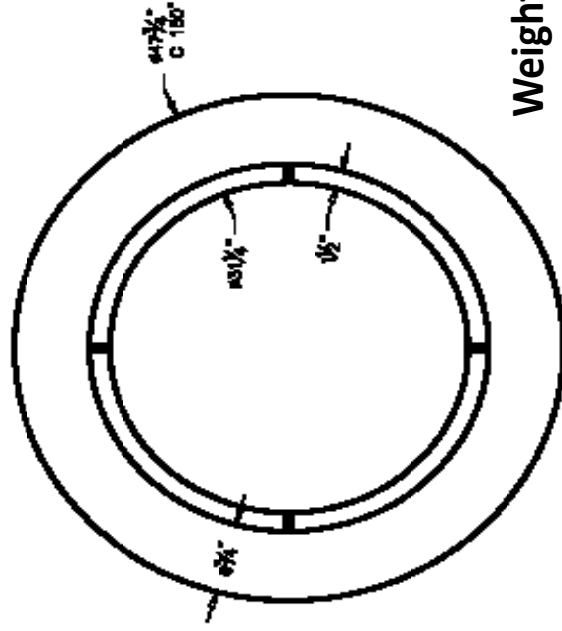


Frame Color Options



Round Activity Youth Table

Seat Color Options

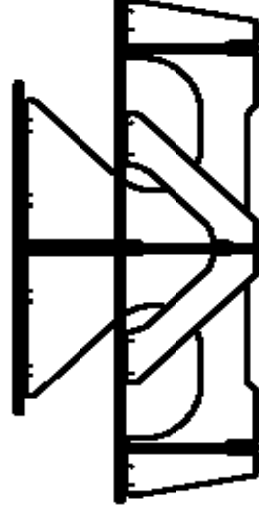
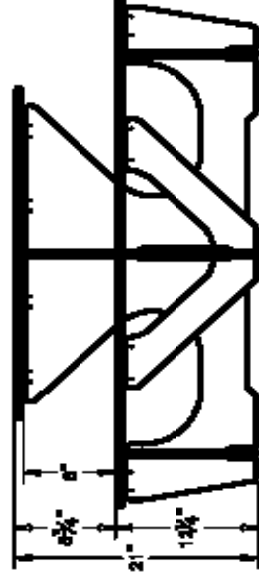


Weight Capacity

400 lbs

Product Weight

70 lbs



- Heavy duty/weather resistant/maintenance free!
- No need to stain or paint
- Resists fading, peeling and graffiti as the color is molded all the way through
- Can be surface mounted with brackets (sold separately)
- Stainless steel fasteners do not corrode nor rust