

# The Economizer Plaza Table

ASM-EPZ • ASM-EPZHA

## ASM-EPZ

Black Only Frame  
Brown Planks



The Economizer Plaza Table uses the same design and *Green-Scapes* frame as the plaza table, but is constructed with lighter weight boards, using 1<sup>1/4</sup>" x 9" planks for the seats, and 1<sup>1/4</sup>" x 5" boards for the table top. It is also offered in both the standard and universal access versions.

## ASM-EPZHA

Black Only Frame  
Cedar Planks



With one seat removed for wheelchair access, make this table a great community table.

See back of page for  
details and measurements

TERRA BOUND  
SOLUTIONS™



Proudly made  
in the USA



Eco-Friendly Products



100% Recycled  
Product



1-877-857-2915  
terraboundsolutions.com

# Economizer Plaza Table

## Seat Color Options

Black

Brown

Cedar

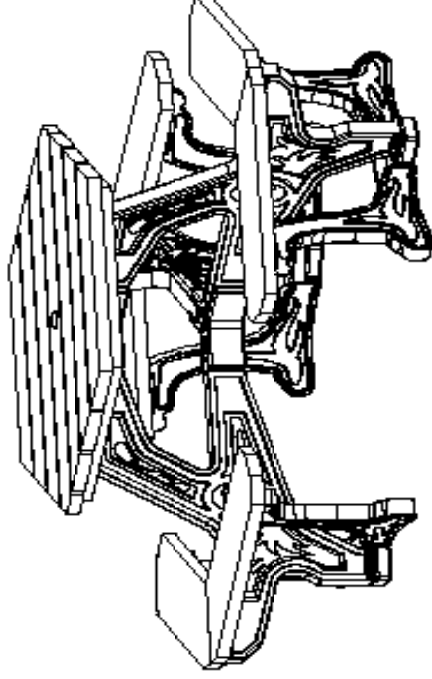
Charcoal

Green

Sand

Weathered

- Heavy duty/weather resistant/maintenance free!
- No need to stain or paint
- Resists fading, peeling and graffiti as the color is molded all the way through
- Can be surface mounted with brackets (sold separately)
- Stainless steel fasteners do not corrode nor rust

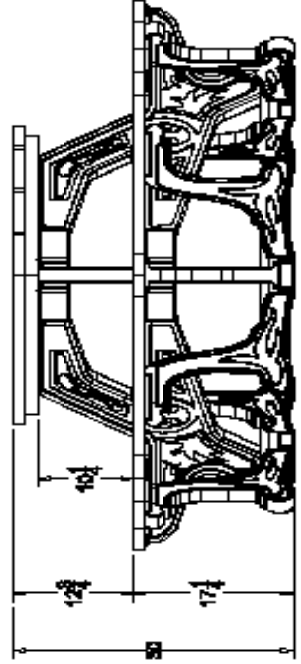
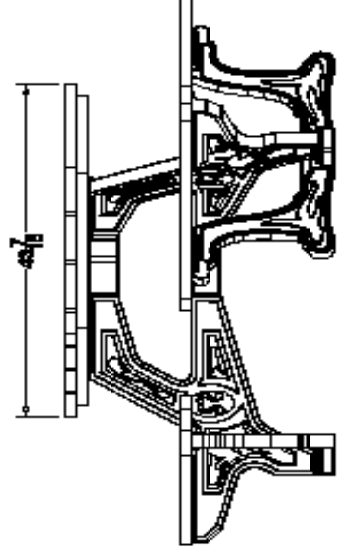
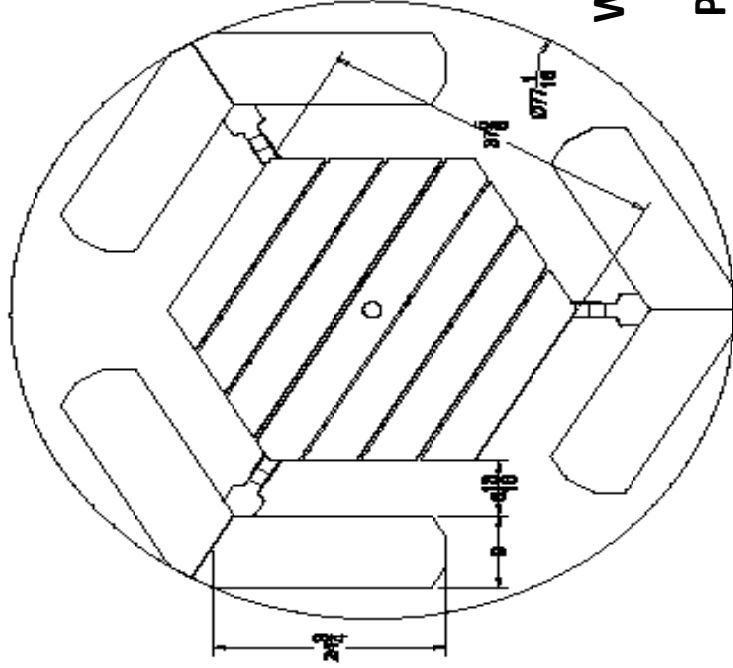


**Weight Capacity**

1,350 lbs

**Product Weight**

201 lbs



Frame in  
Black  
only

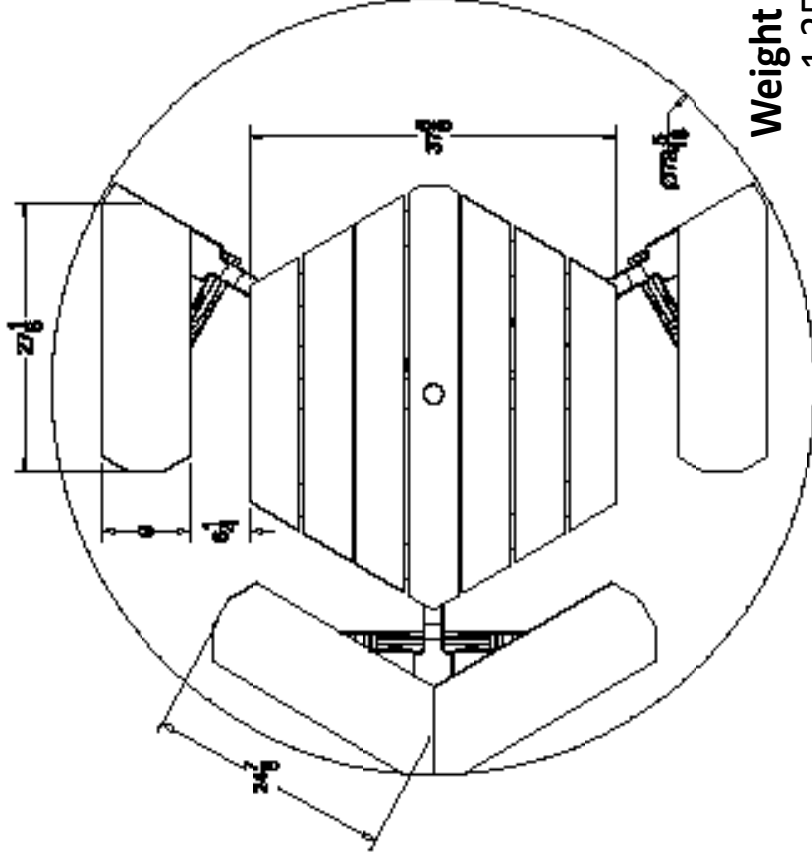
# Economizer Plaza Universal Access Table

## Seat Color Options

- Heavy duty/weather resistant/maintenance free!
- No need to stain or paint
- Resists fading, peeling and graffiti as the color is molded all the way through
- Can be surface mounted with brackets (sold separately)
- Stainless steel fasteners do not corrode nor rust



Frame in  
Black  
only



**Weight Capacity**

1,350 lbs

**Product Weight**

173 lbs

