

# The Economizer Hex Table

ASM-EHT • ASM-EHTHA



**ASM-EHT**  
Green Table Frame  
Cedar Planks

The Economizer Hexagon Table has the same design as the Open Hex Table, but with lighter weight boards to reduce material and shipping costs. It is offered in both standard and universal access versions.



**ASM-EHTHA**  
Black Table Frame  
Weather Wood Planks

With one seat removed for wheelchair access, make this table a great community table.

*See back of page for  
details and measurements*

**TERRA BOUND**  
**SOLUTIONS™**



Proudly made  
in the USA



Eco-Friendly Products



100% Recycled  
Product



**1-877-857-2915**  
[terraboundsolutions.com](http://terraboundsolutions.com)

# The Economizer Hex Table - ASM-EHT

## Seat Color Options

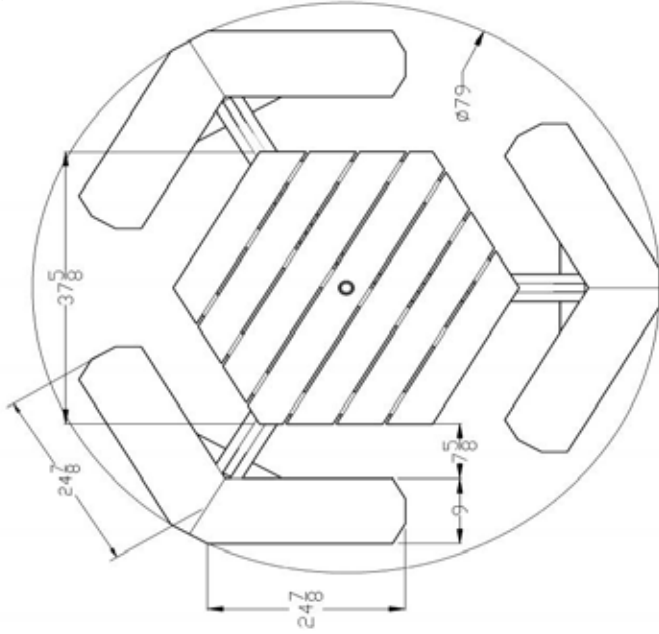


### Weight Capacity

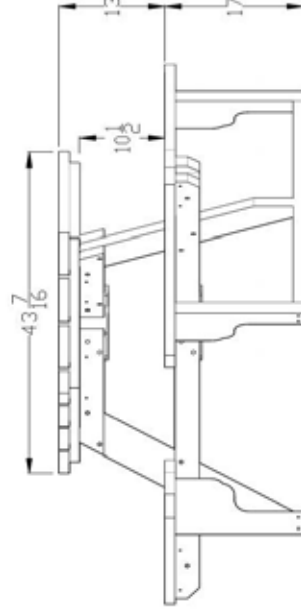
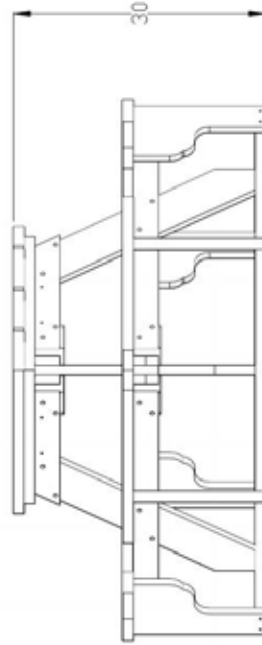
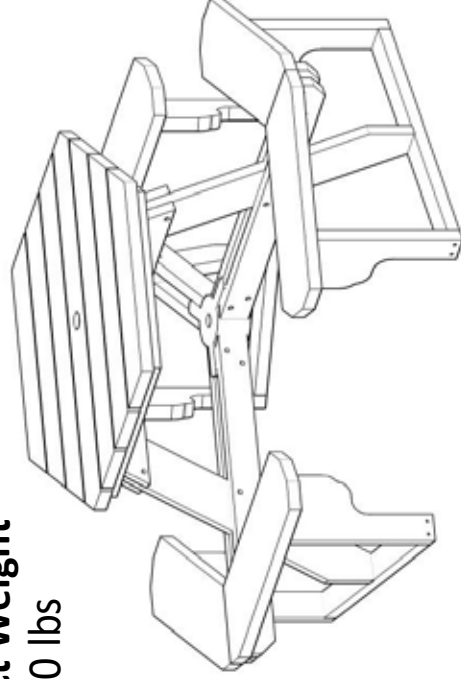
1,350 lbs

### Product Weight

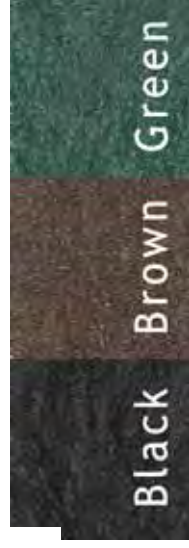
190 lbs



- Heavy duty/weather resistant/maintenance free!
- No need to stain or paint
- Resists fading, peeling and graffiti as the color is molded all the way through
- Can be surface mounted with brackets (sold separately)
- Stainless steel fasteners do not corrode nor rust



## Frame Color Options



# Economizer Hex Universal Access Table - ASM-EHHTHA

## Seat Color Options



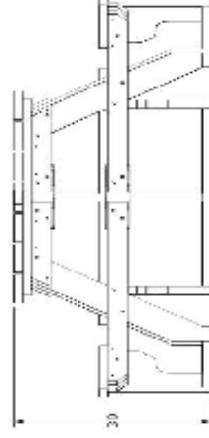
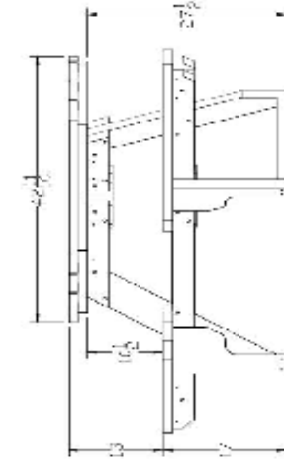
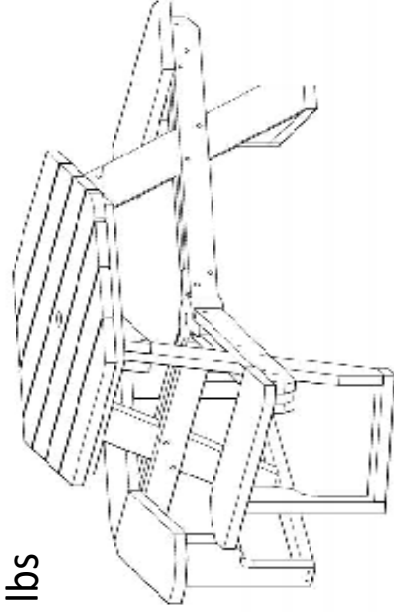
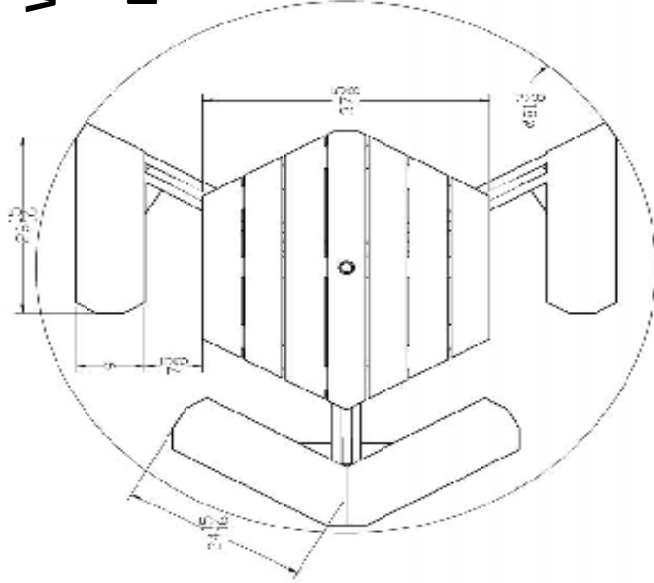
- Heavy duty/weather resistant/maintenance free!
- No need to stain or paint
- Resists fading, peeling and graffiti as the color is molded all the way through
- Can be surface mounted with brackets (sold separately)
- Stainless steel fasteners do not corrode nor rust

**Weight Capacity**

1,350 lbs

**Product Weight**

155 lbs



## Frame Color Options

