

# The 4ft Economizer Picnic Table

ASM-EPT4



**ASM-EPT4**  
Green Table Frame  
Weather Wood Planks

The 4 ft. Economizer Picnic Table is our most affordable table. Based on our Deluxe Table, it uses lighter weight 1<sup>1/4</sup>" x 5" planks instead of standard 2" x 6" boards.

**ASM-EPT4**  
Bown Table Frame  
Cedar Planks



*See back of page for  
details and measurements*

**TERRA BOUND**  
**SOLUTIONS**™



Proudly made  
in the USA



Eco-Friendly Products



100% Recycled  
Product



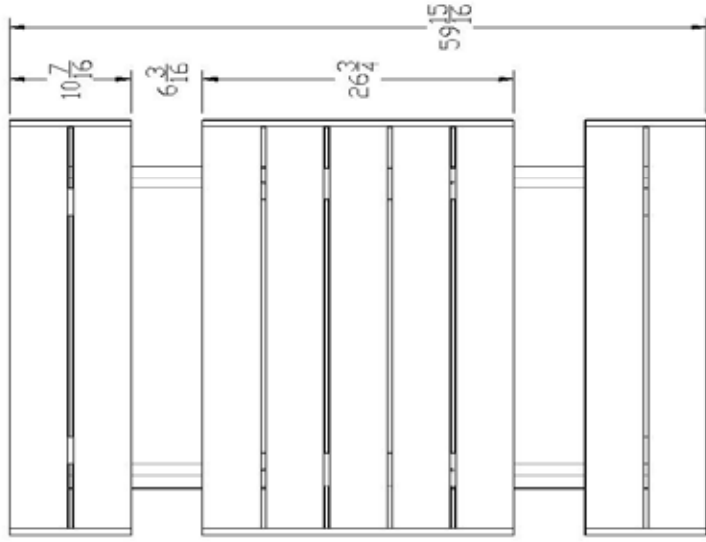
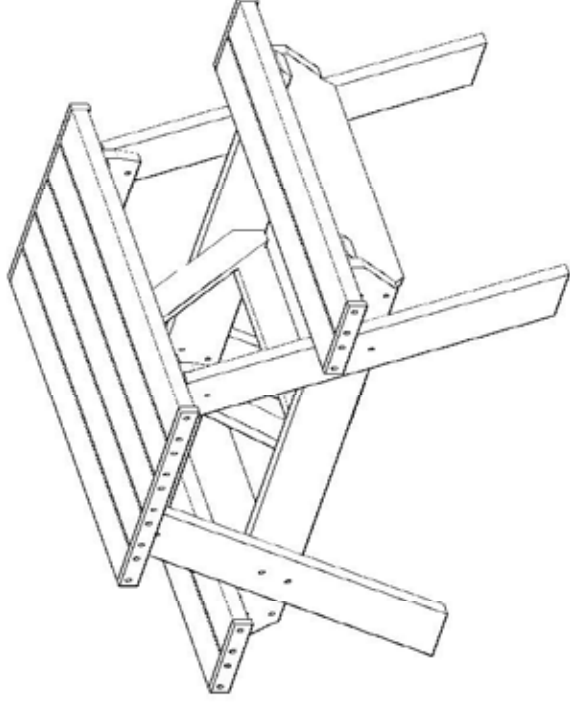
**1-877-857-2915**  
terraboundsolutions.com

# The 4 ft Economizer Table

## Seat Color Options



- Heavy duty/weather resistant/maintenance free!
- No need to stain or paint
- Resists fading, peeling and graffiti as the color is molded all the way through
- Can be surface mounted with brackets (sold separately)
- Stainless steel fasteners do not corrode nor rust

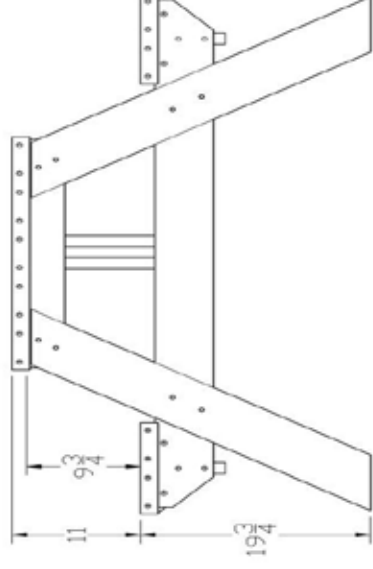
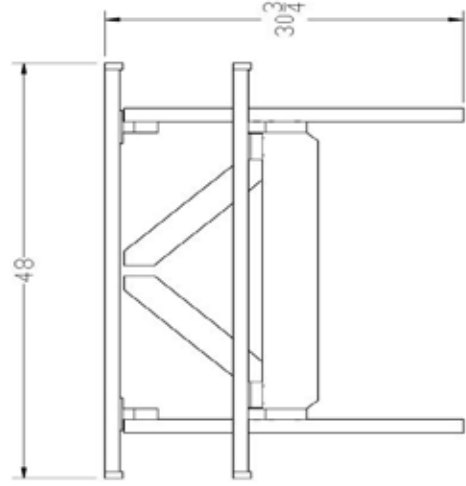


**Weight Capacity**

750 lbs

**Product Weight**

168 lbs



## Frame Color Options

