

# Double Duty & Half-Round Receptacle

ASM-HRTR • ASM-DDRR

## ASM-DDRR

Weather Wood Panels



The Double Duty Round Receptacle features 2 openings for separate 14 gallon liners (included), providing a compact recycling center for sorting trash and/or recyclables. Optional engraving available to label intended collectibles.

## ASM-HRTR

Green Panels

The Half-Round Receptacle designed to fit snugly against a wall, counter or fence, this is a very compact receptacle taking up about 2 square feet. It comes with a 14 gallon liner for easy emptying.



**TERRA BOUND**  
SOLUTIONS™



Proudly made  
in the USA



Eco-Friendly Products



100% Recycled  
Product



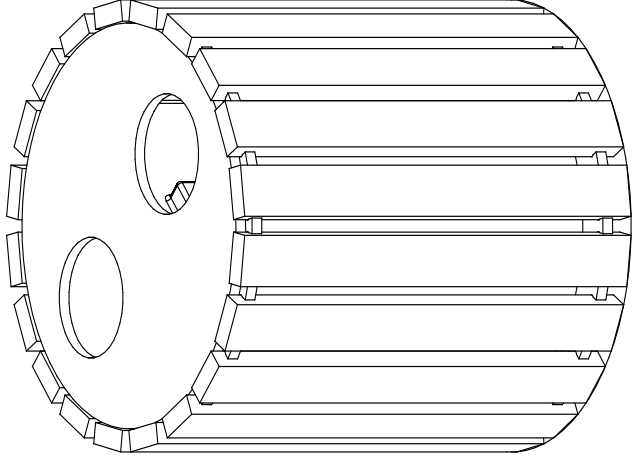
*See back of page for details and measurements*

**1-877-857-2915**  
terraboundsolutions.com

# DDRR & HRTR Receptacles

## DDRR

- Heavy duty/weather resistant/maintenance free!
- No need to stain or paint
- Resists fading, peeling and graffiti as the color is molded all the way through
- Can be surface mounted with brackets (sold separately)
- Stainless steel fasteners do not corrode nor rust
- Includes rigid liner for each receptacle



## HRTR

