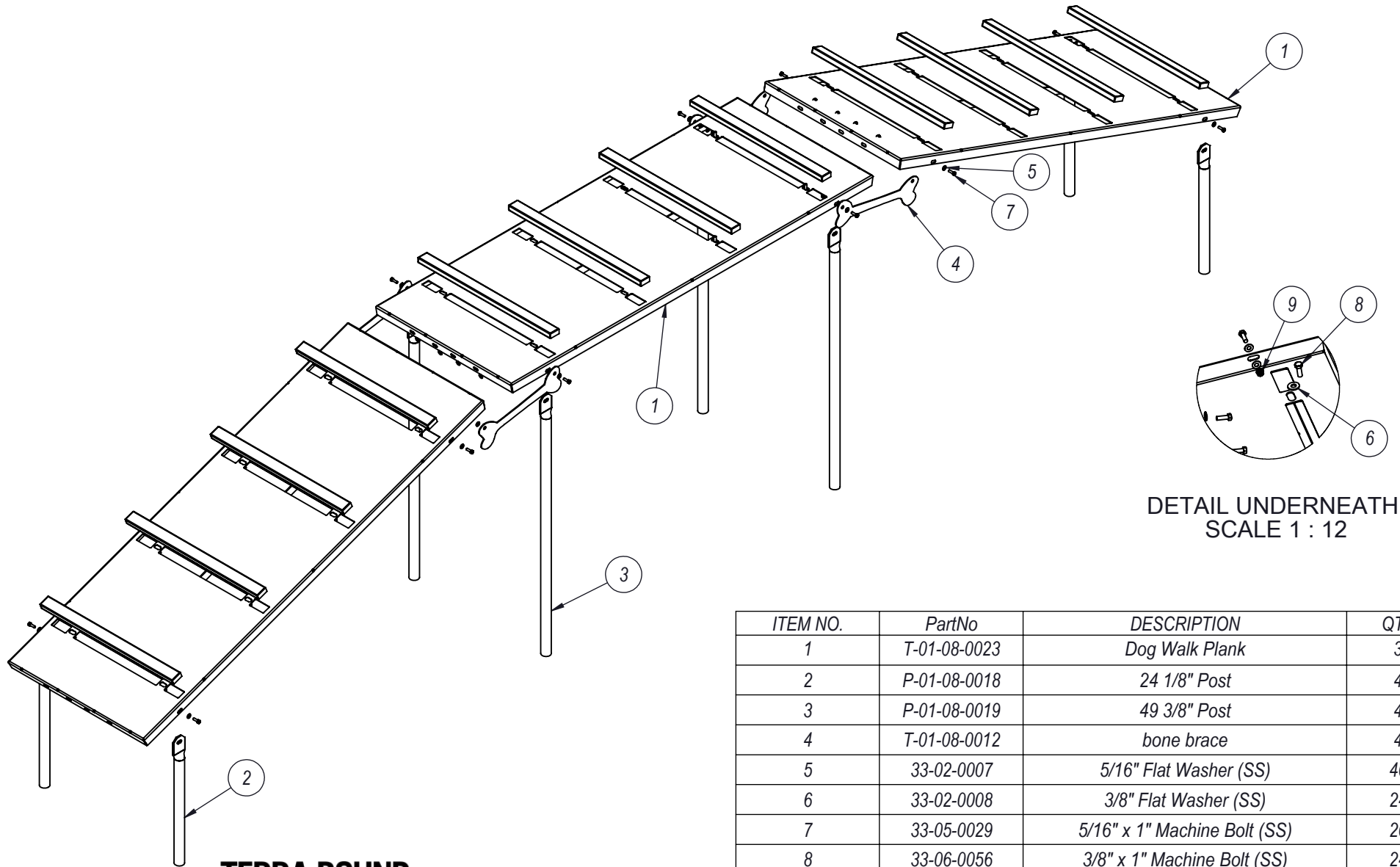


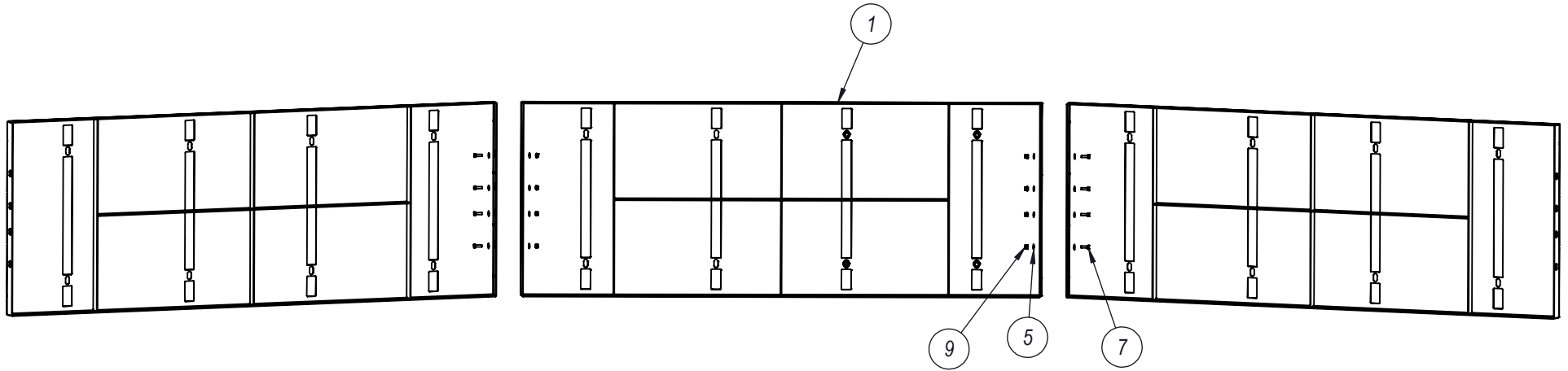
COMPONENTS



TERRA BOUND
SOLUTIONS™

ITEM NO.	PartNo	DESCRIPTION	QTY
1	T-01-08-0023	Dog Walk Plank	3
2	P-01-08-0018	24 1/8" Post	4
3	P-01-08-0019	49 3/8" Post	4
4	T-01-08-0012	bone brace	4
5	33-02-0007	5/16" Flat Washer (SS)	40
6	33-02-0008	3/8" Flat Washer (SS)	24
7	33-05-0029	5/16" x 1" Machine Bolt (SS)	20
8	33-06-0056	3/8" x 1" Machine Bolt (SS)	24
9	33-03-0012	5/16" Kep Nut (SS)	20
10	T-01-08-0022	bark park step strip	12

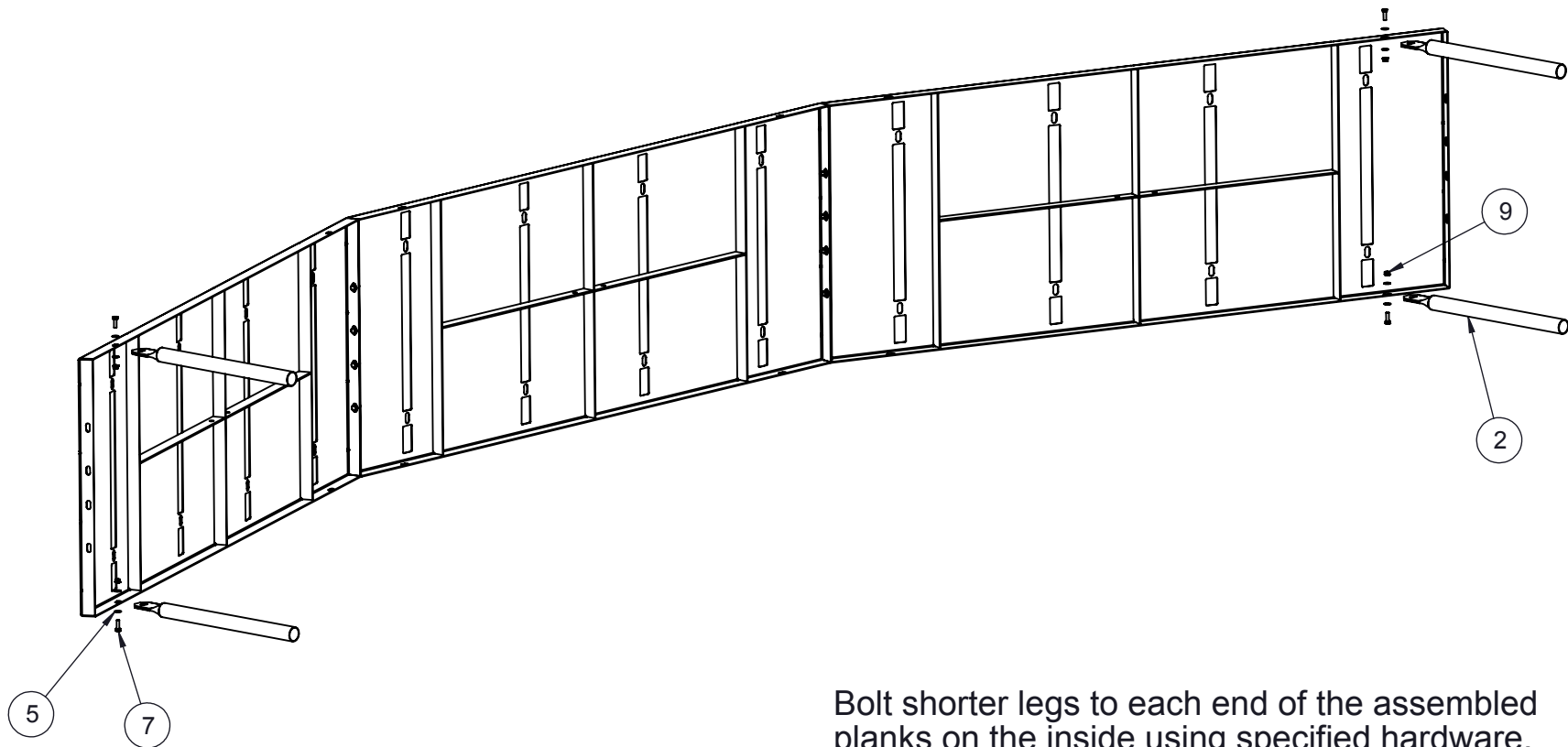
STEP 1



Bolt Dog Walk Planks
together using specified
hardware. (This is best
done laying on its side.)

TERRA BOUND
SOLUTIONS™

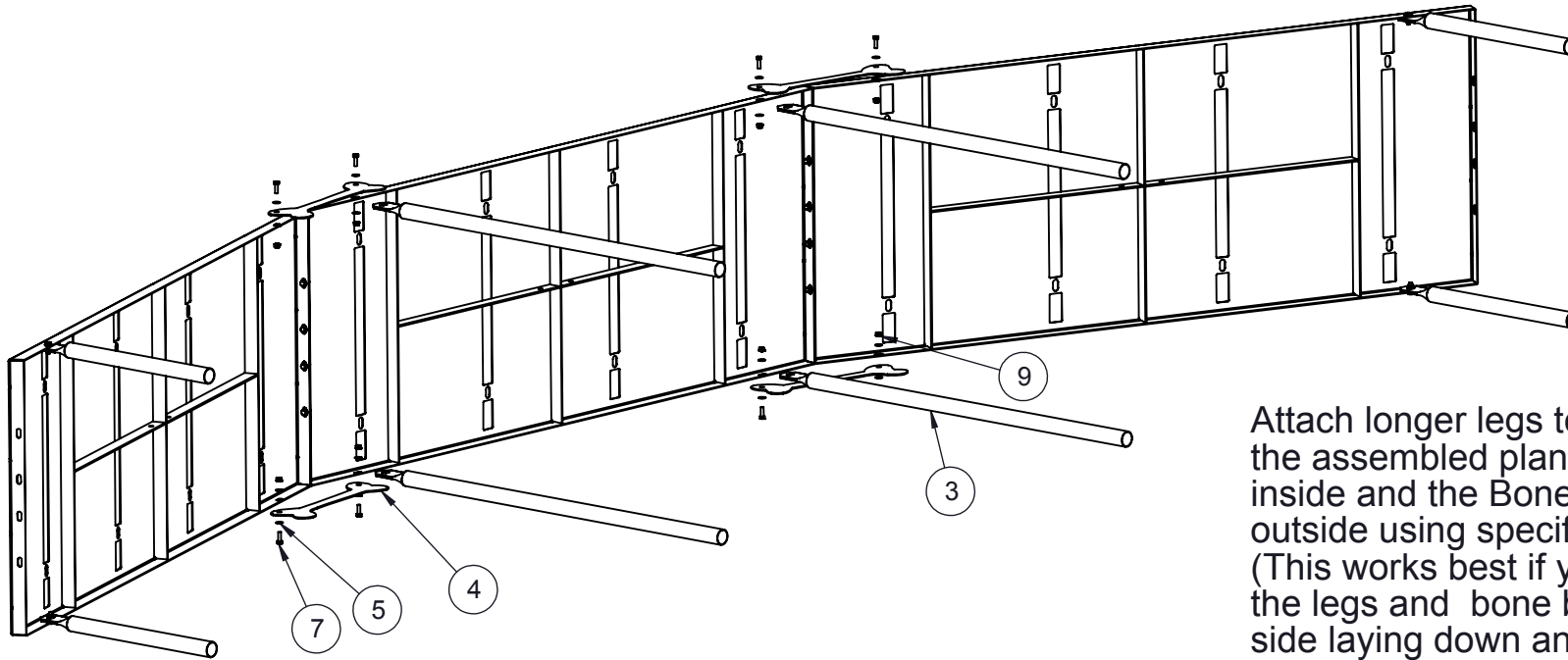
STEP 2



Bolt shorter legs to each end of the assembled planks on the inside using specified hardware. (This is also done best on its side.)

TERRA BOUND
SOLUTIONS™

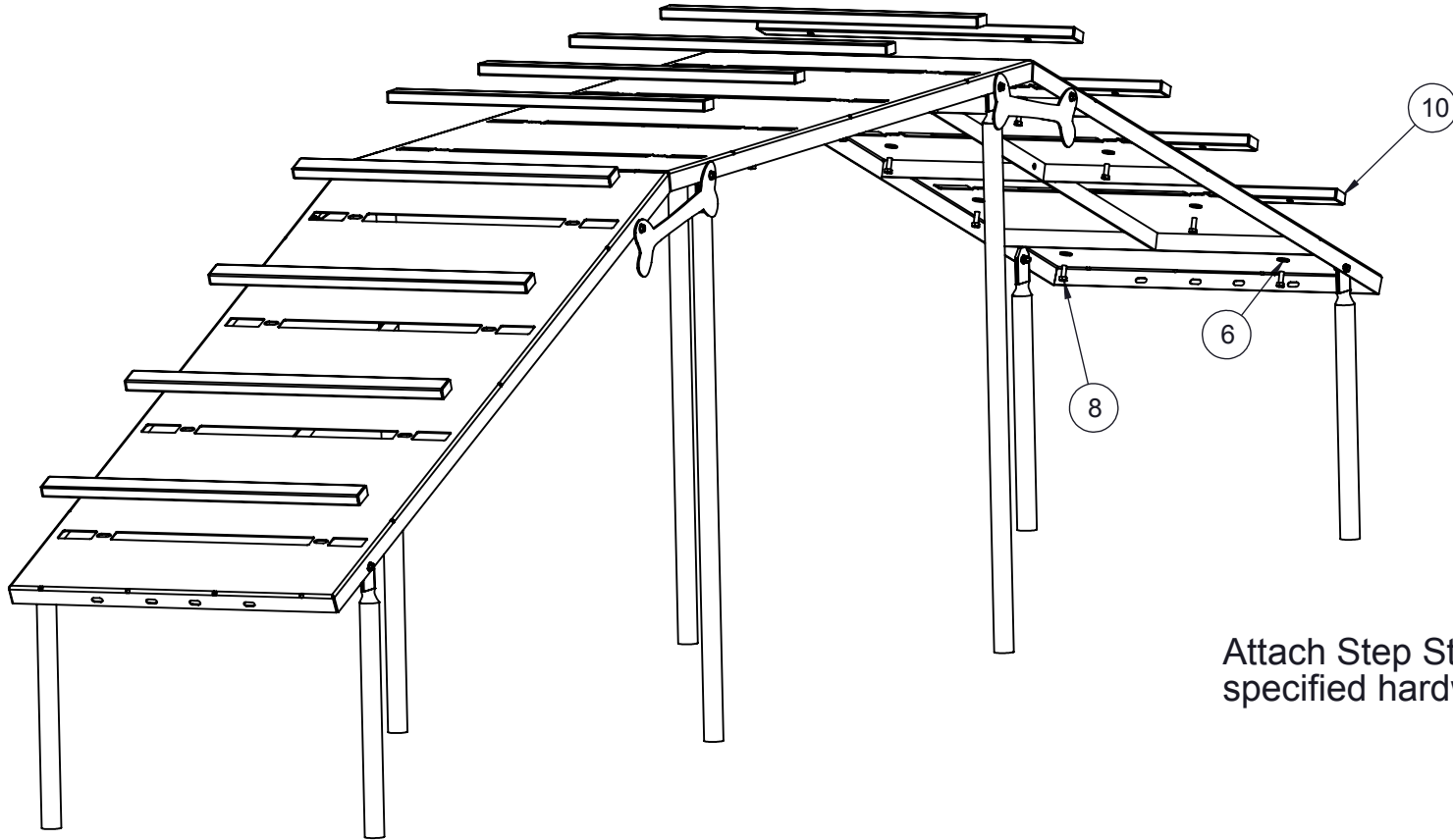
STEP 3



Attach longer legs to the middle of the assembled planks on the inside and the Bone Brace on the outside using specified hardware. (This works best if you assembly the legs and bone brace on one side laying down and then stand it up to do the other side.)

TERRA BOUND
SOLUTIONS™

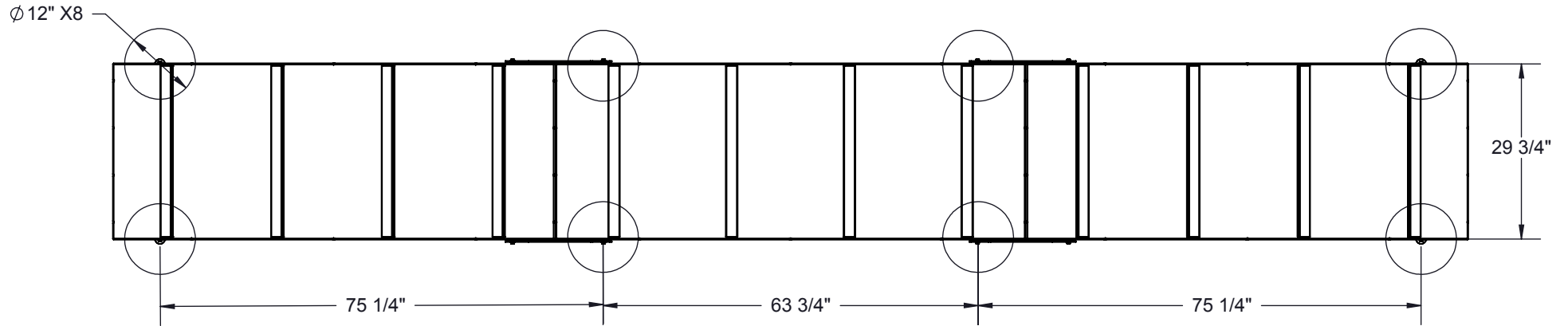
STEP 4



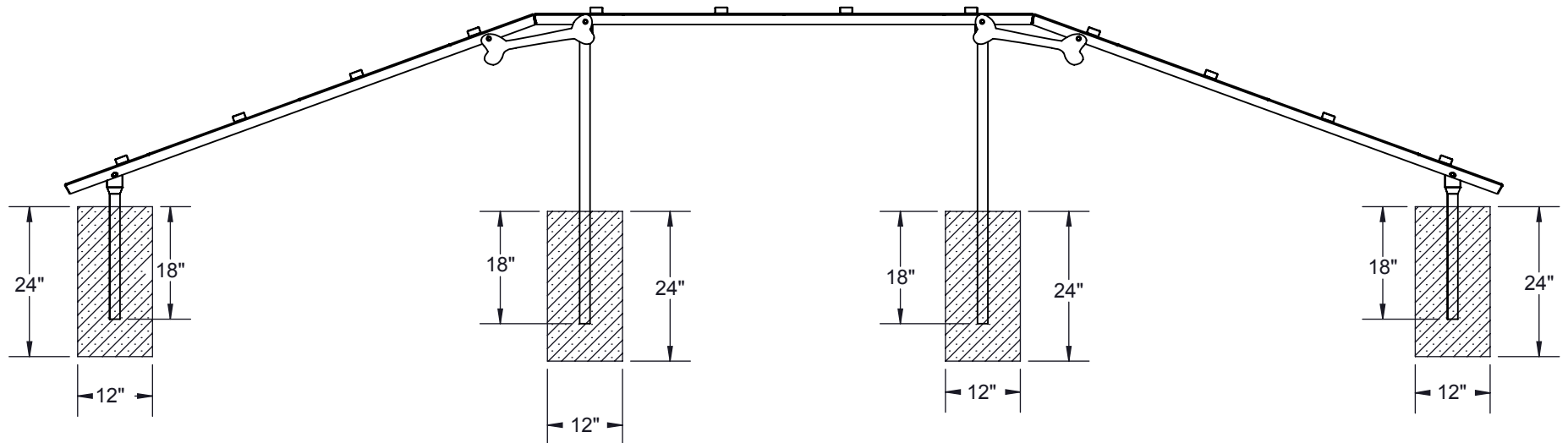
Attach Step Strips using specified hardware.

TERRA BOUND
SOLUTIONS™

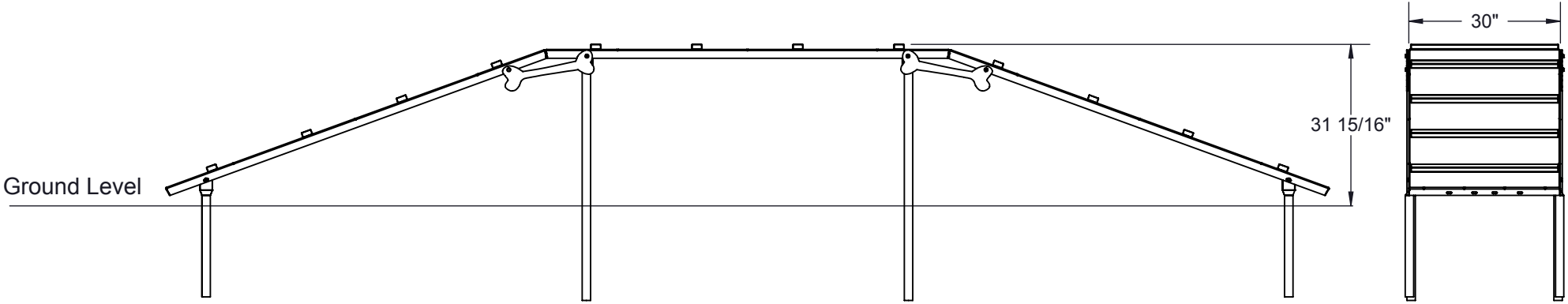
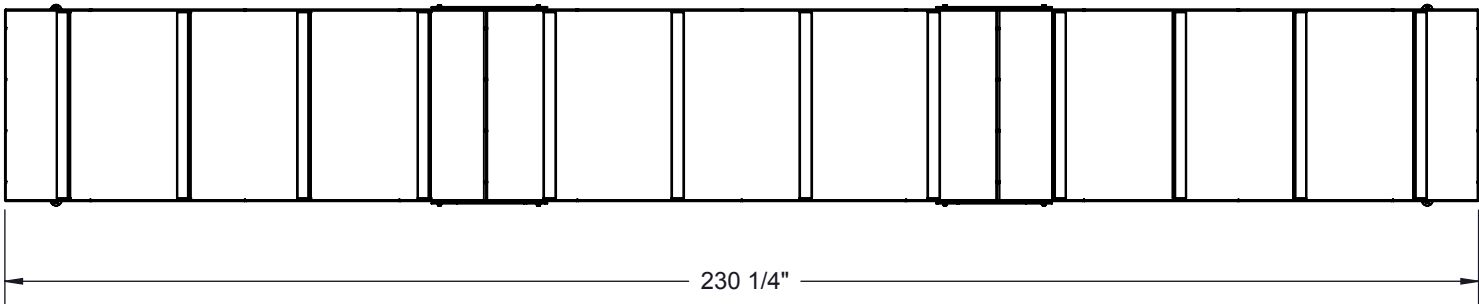
FOOTINGS



Estimated Required Concrete:
34 - 50 lb. bags of concrete mix



OVERALL DIMENSIONS



TERRA BOUND
SOLUTIONS™