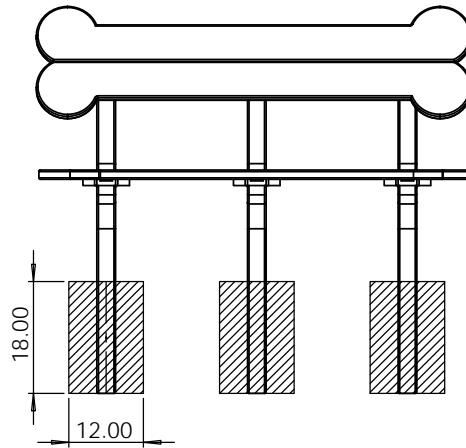
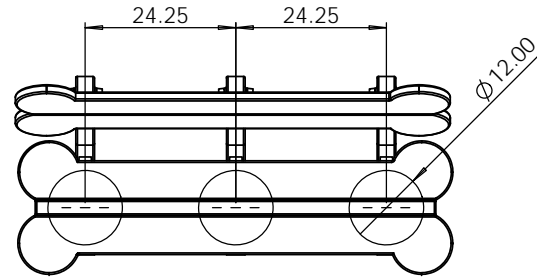


4

3

2

1



PROPRIETARY AND CONFIDENTIAL
 THE INFORMATION CONTAINED IN THIS DRAWING IS THE SOLE PROPERTY OF PLAYTOPIA, INC. ANY REPRODUCTION IN PART OR AS A WHOLE WITHOUT THE WRITTEN PERMISSION OF PLAYTOPIA, INC. IS PROHIBITED.

		UNLESS OTHERWISE SPECIFIED:	NAME	DATE	TITLE: Dog Bone Bench w/ Back				
		DIMENSIONS ARE IN INCHES	DRAWN				SIZE	DWG. NO.	REV
		TOLERANCES:	CHECKED				B		
		FRACTIONAL ±	ENG APPR.				SCALE: 1:20 WEIGHT: SHEET 1 OF 1		
		ANGULAR: MACH ± BEND ±	MFG APPR.						
		TWO PLACE DECIMAL ±	Q.A.						
		THREE PLACE DECIMAL ±	COMMENTS:						
		INTERPRET GEOMETRIC TOLERANCING PER:							
		MATERIAL							
NEXT ASSY	USED ON	FINISH							
APPLICATION		DO NOT SCALE DRAWING							

4

3

2

1

B

B

A

A