

# STOP!

PLEASE READ THE FOLLOWING INFORMATION.

## INSTALLER

DF-38 Fountains are among the easiest to install Fountains on the market today. To assure you install these models easily and correctly, **PLEASE READ THESE SIMPLE INSTRUCTIONS BEFORE STARTING THE INSTALLATION. CHECK YOUR INSTALLATION FOR COMPLIANCE WITH PLUMBING, ELECTRICAL, AND OTHER APPLICABLE CODES.**

After installation, leave these instructions with the Fountain for future reference.

## IMPORTANT

ALL SERVICE TO BE PERFORMED BY AN AUTHORIZED SERVICE PERSON

## IMPORTANT

THE GROUNDING OF ELECTRICAL EQUIPMENT SUCH AS TELEPHONE, COMPUTERS, ETC. TO WATER LINES IS A COMMON PROCEDURE. THIS GROUNDING MAY BE IN THE BUILDING OR MAY OCCUR AWAY FROM THE BUILDING. THIS GROUNDING CAN CAUSE ELECTRICAL FEEDBACK INTO A FOUNTAIN, CREATING AN ELECTROLYSIS WHICH CAUSES A METALLIC TASTE OR AN INCREASE IN THE METAL CONTENT OF THE WATER. THIS CONDITION IS AVOIDABLE BY USING THE PROPER MATERIALS AS INDICATED. ANY DRAIN FITTINGS PROVIDED BY THE INSTALLER SHOULD BE MADE OF PLASTIC TO ELECTRICALLY ISOLATE THE FOUNTAIN FROM THE BUILDING PLUMBING SYSTEM.

# DF-38

Floor Mount Stone Fountain

## Owner's Manual

**IMPORTANT! INSTALLER PLEASE NOTE**

Wall mounting structure must be capable of supporting 300 lb. load on fountain.

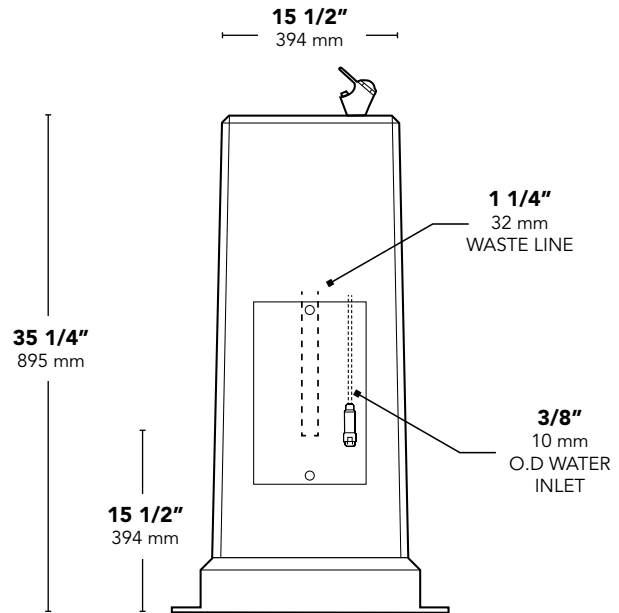
**GENERAL INSTALL TIPS**

- 1 Water supply 3/8" O.D. unplated copper tube. Waste 1-1/4" IPS. Contractor to supply waste trap and service stop valve in accordance with local code.
- 2 Connecting lines to be made of unplated copper and should be thoroughly flushed to remove all foreign matter before being connected to fountain. This fountain is manufactured in such a manner that it does not in any way cause taste, odor, color, or sediment problems.
- 3 Connect fountain to supply line with a shut-off valve and install a 3/8" unplated copper water line between the valve and the cooler. Remove any burrs from from outside of water line. Push the tubes straight into the fittings until they reach a positive stop, approximately 3/4" (see figures 2 and 3).

**DO NOT SOLDER TUBES INSERTED INTO THE STRAINER AS DAMAGE TO THE O-RINGS MAY RESULT.**

- 4 These products are designed to operate on 20 psig to 105 psig supply line pressure. If inlet pressure is above 105 psig, a pressure regulator must be installed in the supply line. Any damage caused by reason of connecting this product to supply line pressures lower than 20 psig or higher than 105 psig is not covered by warranty.

**FIGURE 1**



**START UP**

- 1 This fountain is to be mounted on a smooth, flat, finished surface with adequate support structure.

**NOTE: Mounting structure must be capable of supporting 300 lb. load on fountain.**

- 2 Refer to rough-in for plumbing.
- 3 Install shut-off valve on water supply. (valve not furnished)
- 4 Locate and install fountain using 3/8" minimum anchor screws or bolts. (screws or bolts not furnished)

**CAUTION: This fountain is rated for inlet water pressure of 20-105 PSI. A pressure reducing regulator should be used if the inlet water supply exceeds 105 PSI.**

- 5 Connect water supply and fountain drain. Water connection & drain must comply with local codes.
- 6 Turn on water supply and check all connections for leaks.

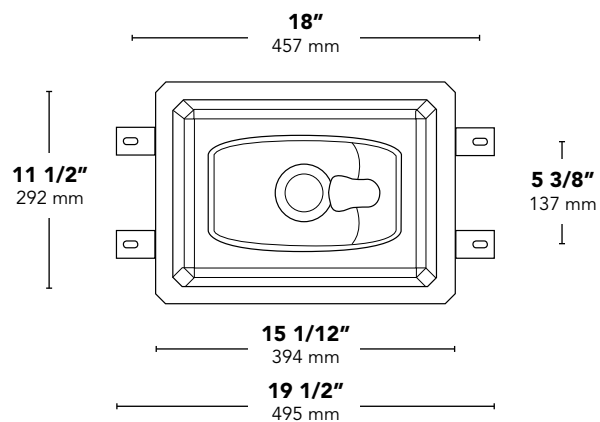


FIGURE 2

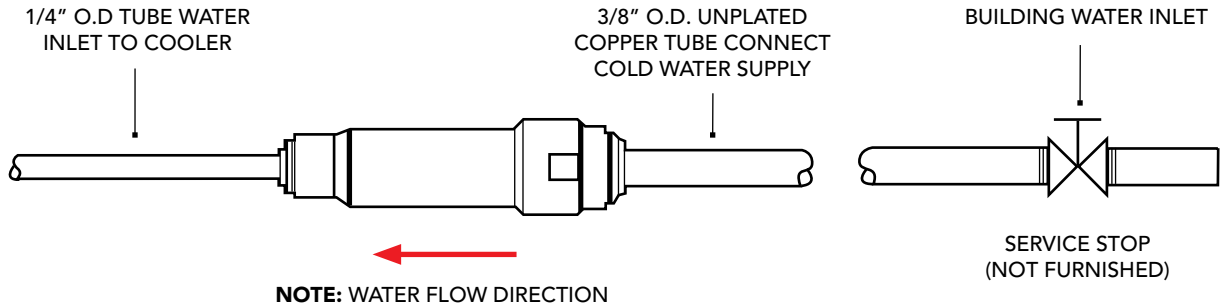
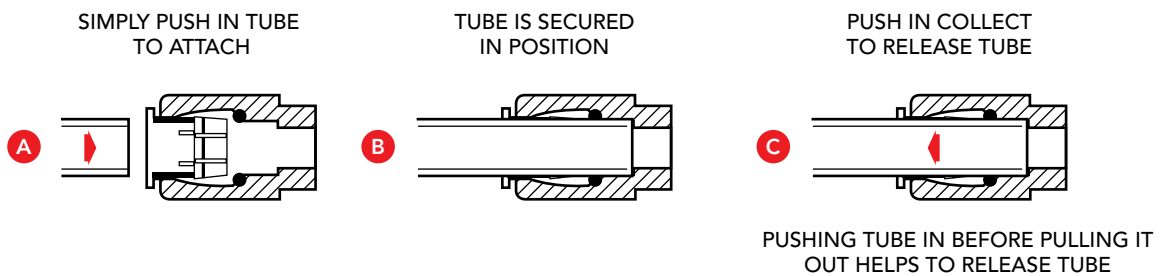


FIGURE 3



## TROUBLE SHOOTING & MAINTENANCE

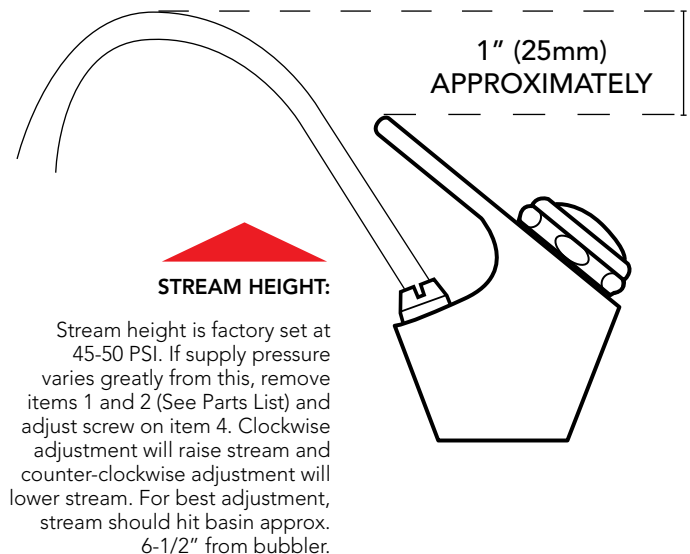
**Orifice Assy:** Mineral deposits on orifice can cause water flow to spurt or not regulate. Mineral deposits may be removed from the orifice with a small round file or small diameter wire.

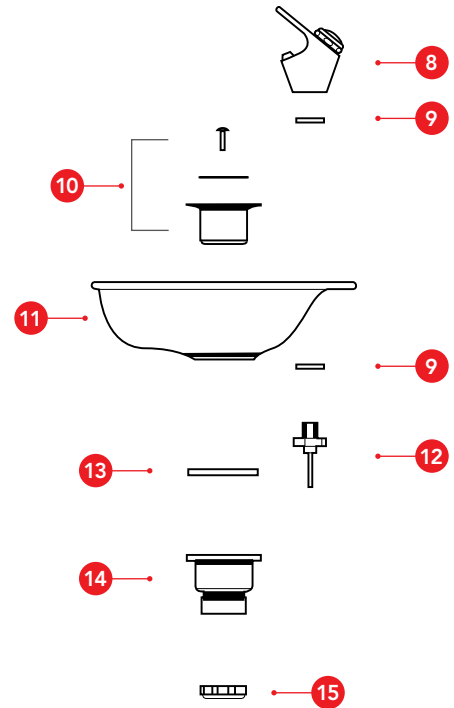
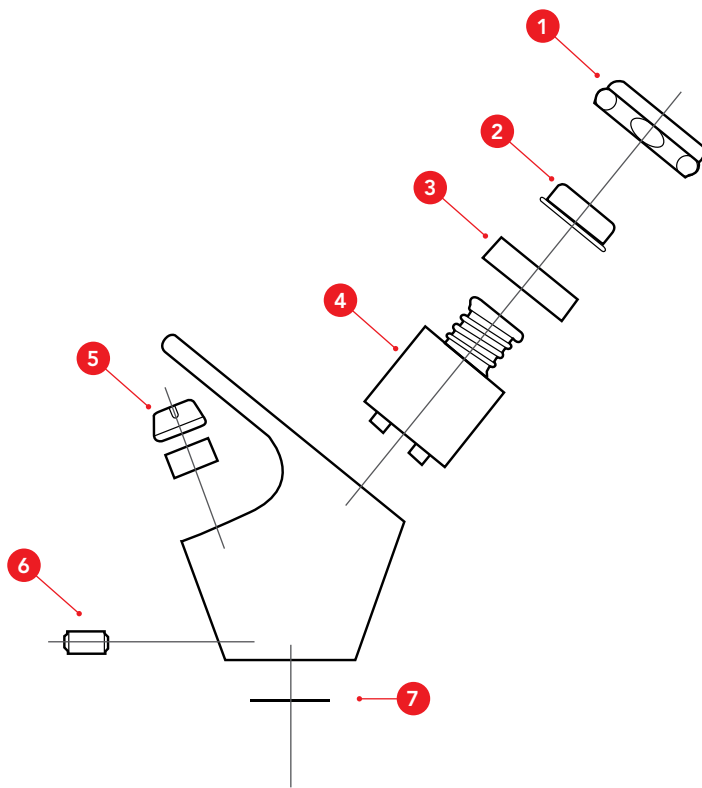
**CAUTION:** DO NOT file or cut orifice material.

**Stream Regulator:** If orifice is clean, regulate flow as in "STREAM HEIGHT ADJUSTMENT" instructions below. If replacement is necessary, see parts list for correct regulator part number.

**Actuation of Quick Connect Water Fittings:** Cooler is provided with lead-free connectors which utilize an o-ring water seal. To remove tubing from the fitting, relieve water pressure, push in on the gray collar while pulling on the tubing (see figure 3).

FIGURE 4





## PARTS LIST

ITEM	PART	DESCRIPTION
1	40089C	Nut - Cover Chrome Plated
2	40048C	Button Chrome Plated
3	10031C	Regulator Retaining Nut
4	61313C	Regulator
5	NA	Orifice Assy.
6	70021C	Set Screw #8-32 x .25
7	NA	Screen
8	45660C	Bubbler Assy.
9	100322740560	Bubbler Gasket
10	60985551640	Drain Plug Assy.
11	170705042830	Basin Receptor
12	15013C	Bubbler Tube Assy.
13	100147140560	Drain Gasket
14	55913C	Drain Fitting
15	75588C	Slip Joint Nut 1-1/4"
16	66346C	Drain Tube
17	55996C	Strainer-In-Line

