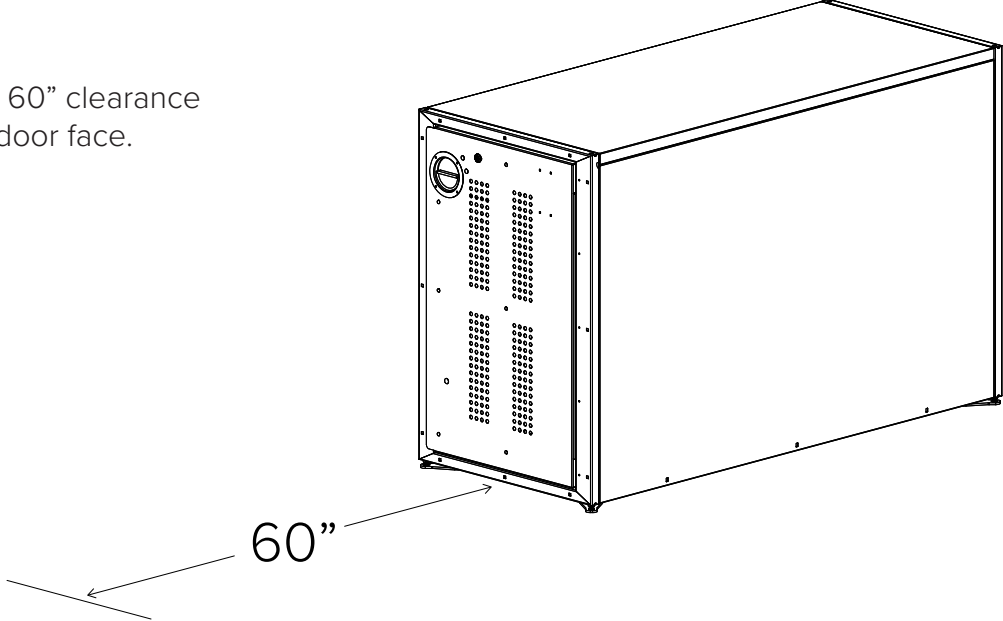


**DERO SINGLE LOCKER™**

# Setbacks

---

Allow 60" clearance  
from door face.



# DERO SINGLE LOCKER™

## Installation Instructions

---

### TOOLS NEEDED

Hammer drill with 3/8" masonry bit  
Hammer  
Bubble level  
Tape measure  
3/8", 7/16", 1/2", 9/16" wrenches  
Socket wrench  
3/8", 7/16", 1/2", 9/16" sockets  
Power drill  
3 Philips screw driver bit  
Needle-nose pliers

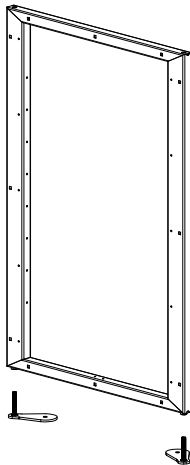
---

### RECOMMENDED BASE MATERIAL

Solid concrete is the best base material for installation. To ensure the proper anchors are shipped with your rack, ask our representative which anchor is appropriate for your application. Be sure nothing is underneath the base material that could be damaged by drilling.

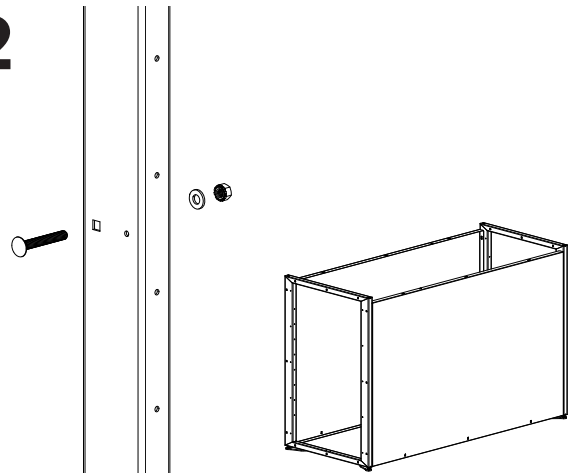
---

1



Thread (2) leveling feet into each door frame.

2



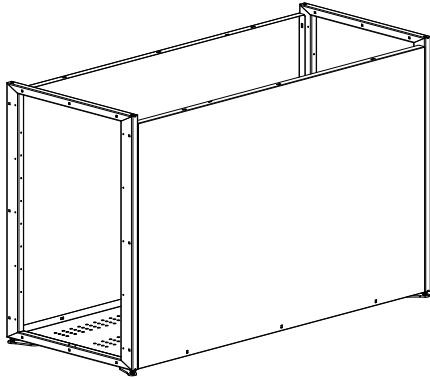
Attach (2) side panels to the (2) door frames with (12) 5/16" x 2.25" carriage bolts, washers, and locknuts. Omit the (4) bottom bolts for now. Leave locknuts finger-tight

# DERO SINGLE LOCKER™

## Installation Instructions

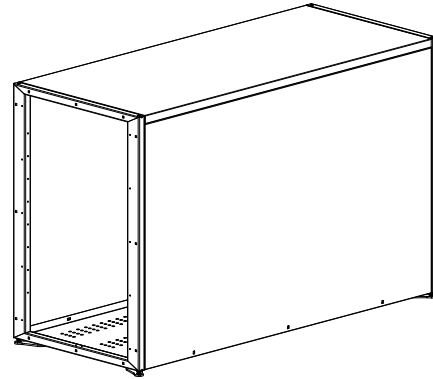
---

### 3



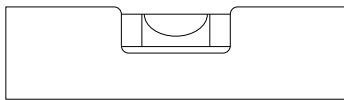
Place the floor panel in the locker and attach to the side panels with (6) 5/16" x .75" carriage bolts, washers, and locknuts. Attach to the door frames with (6) 5/16" x 2.25" carriage bolts, washers, and locknuts. Add the remaining (4) 5/16" x 2.25" carriage bolts, washers, and locknuts that attach the side panels to the door frames. Leave all locknuts finger-tight.

### 4



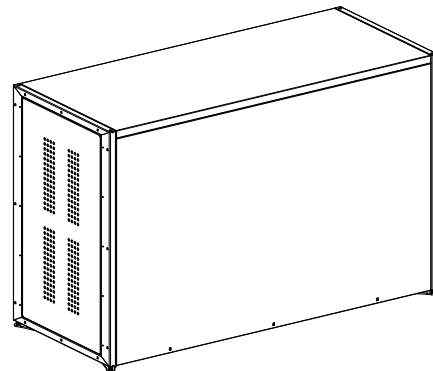
Place the roof panel on the locker and attach to the side panels with (6) 5/16" x .75" carriage bolts, washers, and locknuts. Attach to the door frames with (6) 5/16" x 2.25" carriage bolts, washers, and locknuts.

### 5



Check that the locker is level and square. Tighten all hardware.

### 6

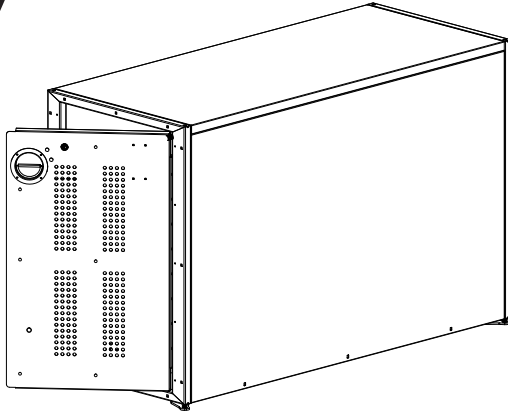


Attach the back panel to the rear door frame with (10) #12 x 3/4" self-drilling screws. Pilot holes are present but may be partially filled with zinc. Screwing is done from inside the locker.

# DERO SINGLE LOCKER™

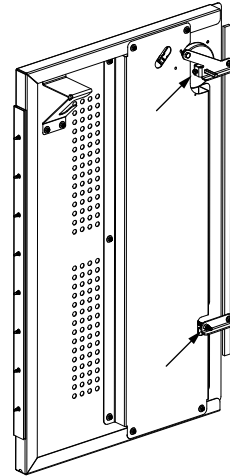
## Installation Instructions

7



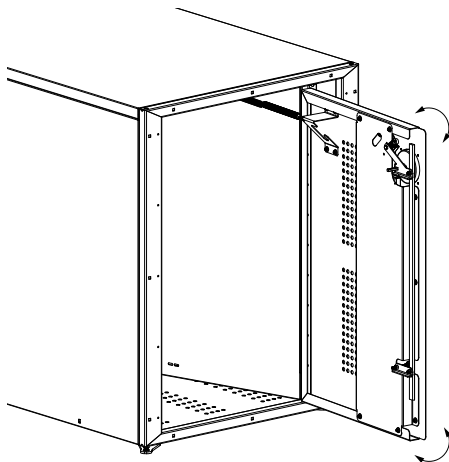
Attach the door assembly with (8) #12 x 3/4" self-drilling screws. Pilot holes are present but may be partially filled with zinc.

8



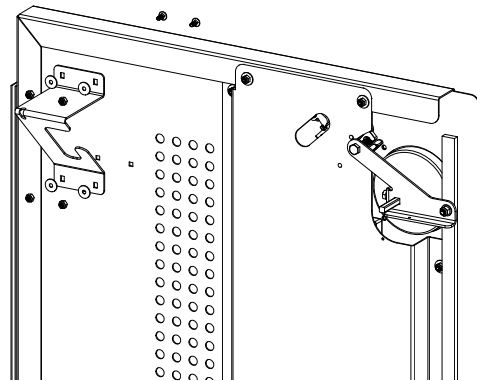
The gap between the door and latch bar may need to be adjusted to properly engage the door frame. This can be done via the 1/4" bolt that tightens against the handle spindle and the 5/16" nuts at the other pivot point.

9



If any twist needs to be taken out of the door, loosen the #10 locknuts, set the door, and re-tighten.

10



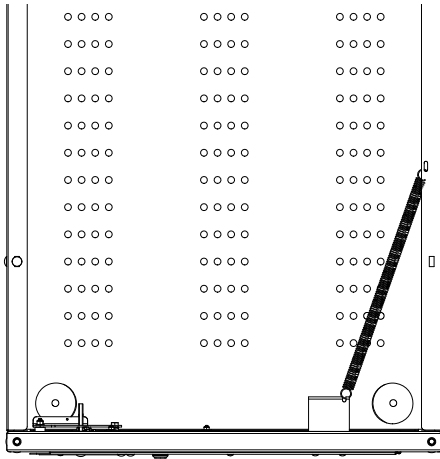
If a gear hook is needed, attach the gear hook to the door back with (4) #10 x .50" carriage bolts, washers, and locknuts.

# DERO SINGLE LOCKER™

## Installation Instructions

---

### 11



If a door closer is needed, attach the spring to the gear hook and to the side panel. A needle-nose pliers is helpful.

### 12

Move the locker into the desired location, level it with the leveling feet, and secure it to the ground with (4) anchors. The leveling feet anchor holes should line up with the large holes in the locker floor.