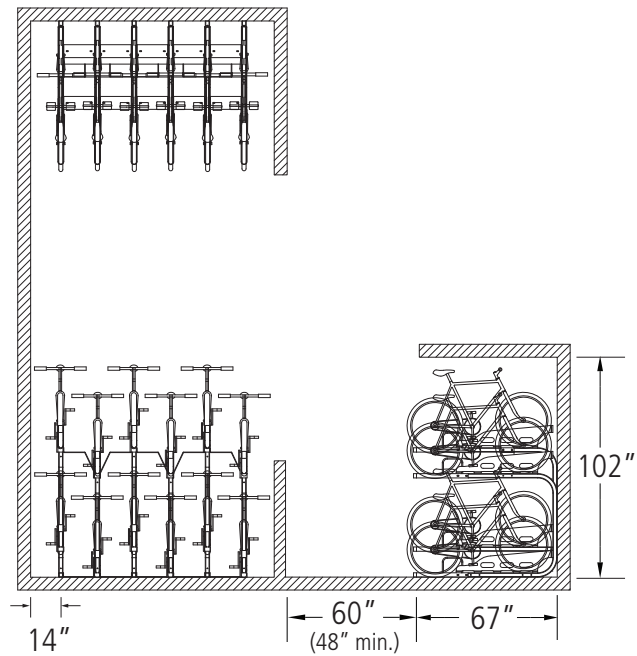


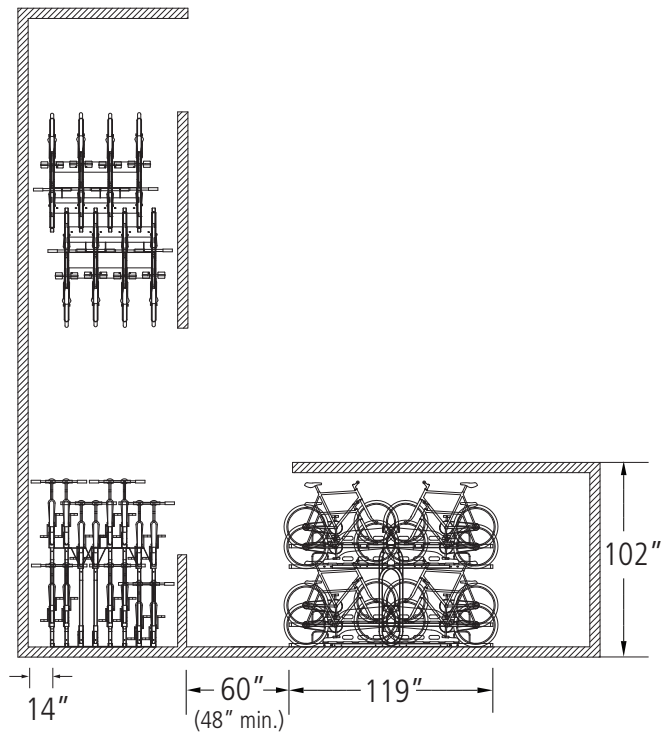
DERO DUPLEX

Installation Instructions – Setbacks for Configurations

Single sided setbacks

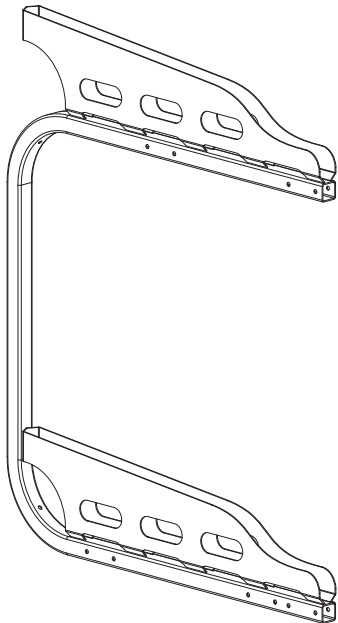


Double sided setbacks

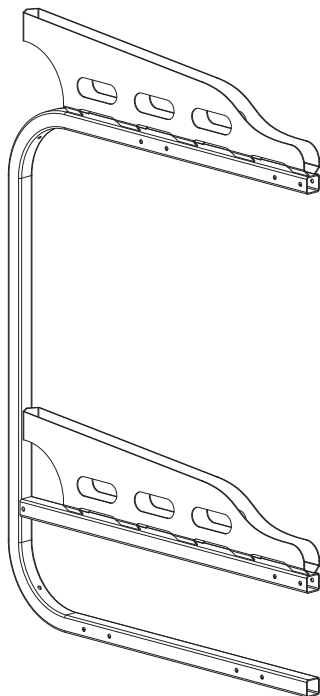
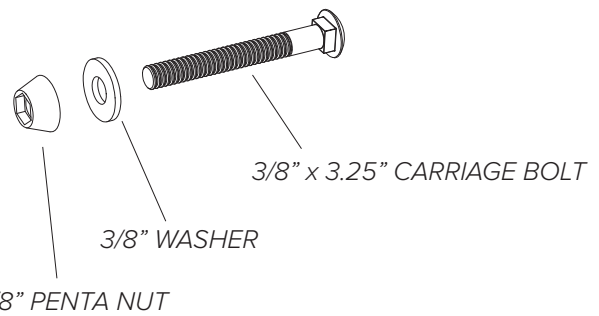
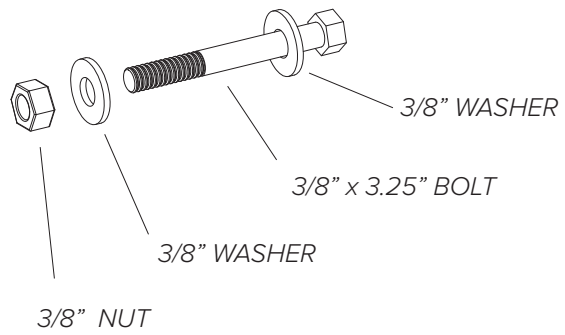


DERO DUPLEX

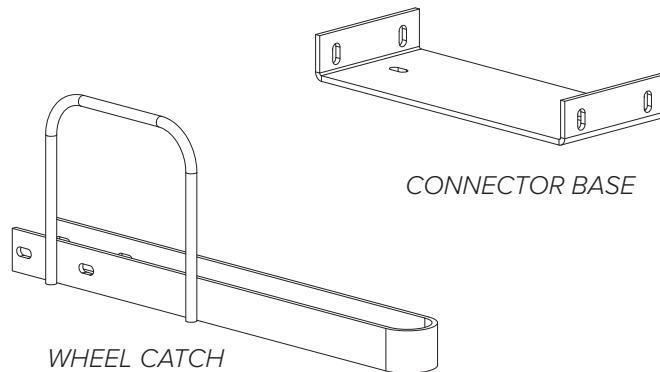
Installation Instructions – Parts List



DUPLEX LOWER UNIT

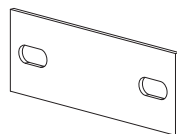


DUPLEX UPPER UNIT

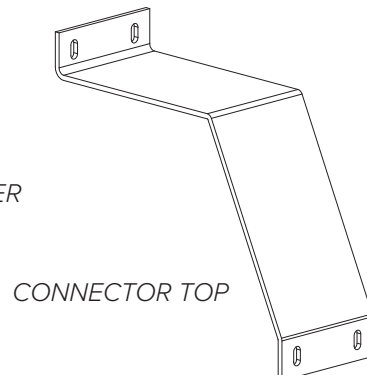


WHEEL CATCH

CONNECTOR BASE



WHEEL CATCH SPACER



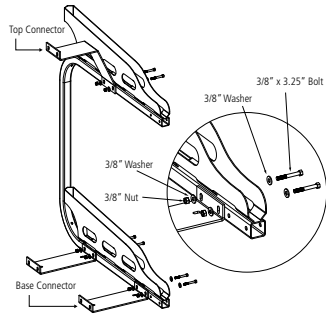
CONNECTOR TOP



DERO DUPLEX

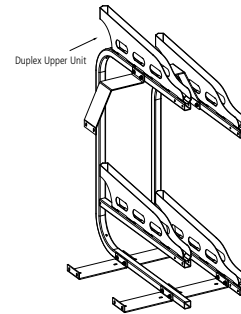
Installation Instructions

1



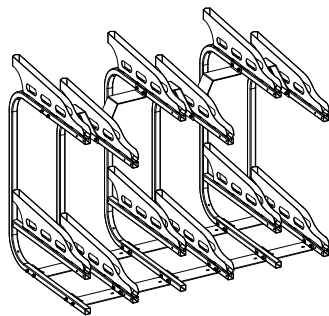
Place the first DUPLEX LOWER UNIT and attach CONNECTORS with hardware.

2



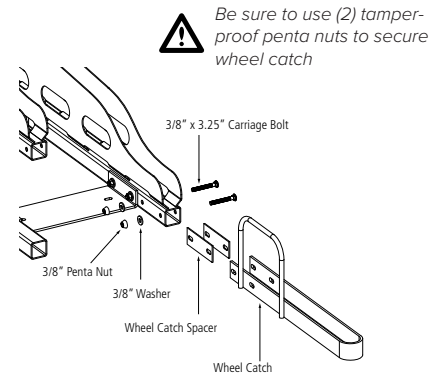
Drill the holes in accordance with the specifications shipped with the anchors. Make sure the holes are at least 3" away from any cracks in the base material.

3



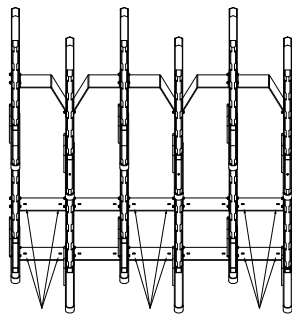
Continue repeating steps 1 and 2 as necessary.

4



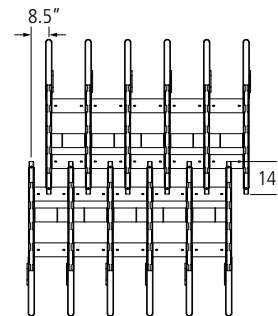
Place WHEEL CATCH and SPACERS and attach with hardware. Repeat for all trays.

5



Secure the DUPLEX ASSEMBLY with 3/8" WEDGE ANCHORS. Secure at the first and last pair of bases and then every other pair of bases.

6



For double sided assemblies, simply place two single sided assemblies back to back with a 14" overlap.