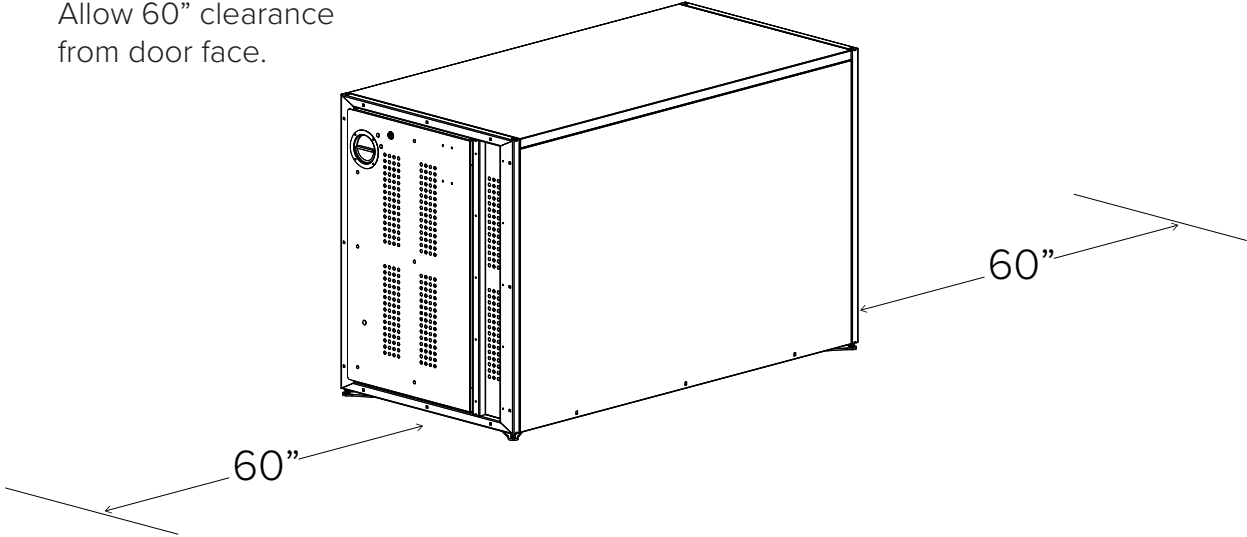


DERO DOUBLE LOCKER™

Setbacks

Allow 60" clearance
from door face.



DERO DOUBLE LOCKER™

Installation Instructions

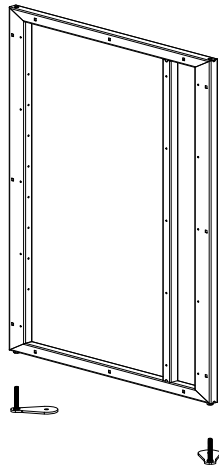
TOOLS NEEDED

Hammer drill with $\frac{3}{8}$ " masonry bit
Hammer
Bubble level
Tape measure
 $\frac{3}{8}$ ", $\frac{7}{16}$ ", $\frac{1}{2}$ ", $\frac{9}{16}$ " wrenches
Socket wrench
 $\frac{3}{8}$ ", $\frac{7}{16}$ ", $\frac{1}{2}$ ", $\frac{9}{16}$ " sockets
Power drill
#3 Philips screw driver bit
Needle-nose pliers

RECOMMENDED BASE MATERIAL

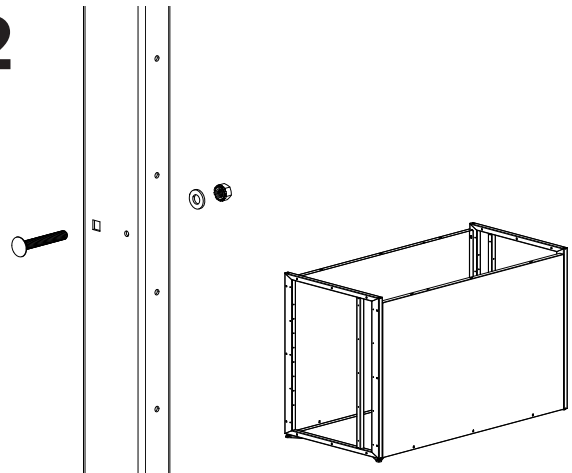
Solid concrete is the best base material for installation. To ensure the proper anchors are shipped with your rack, ask our representative which anchor is appropriate for your application. Be sure nothing is underneath the base material that could be damaged by drilling.

1



Thread (2) leveling feet into each door frame.

2

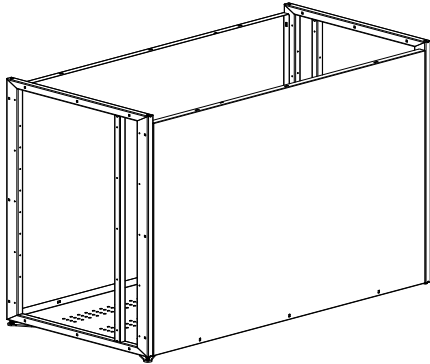


Attach (2) side panels to the (2) door frames with (12) $\frac{5}{16}$ " x 2.25" carriage bolts, washers, and locknuts. Omit the (4) bottom bolts for now. Leave locknuts finger-tight

DERO DOUBLE LOCKER™

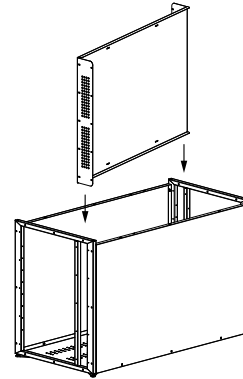
Installation Instructions

3



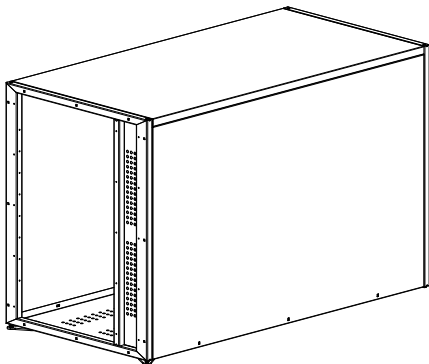
Place the floor panel in the locker and attach to the side panels with (6) 5/16" x .75" carriage bolts, washers, and locknuts. Attach to the door frames with (6) 5/16" x 2.25" carriage bolts, washers, and locknuts. Add the remaining (4) 5/16" x 2.25" carriage bolts, washers, and locknuts that attach the side panels to the door frames. Leave all locknuts finger-tight.

4



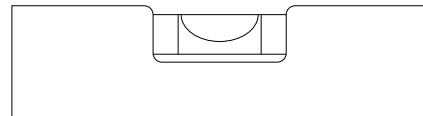
Place the divider panel in the locker and attach to the door frames with (20) #12 x 3/4" self-drilling screws and 1/4" washers. Pilot holes are present but may be partially filled with zinc.

5



Place the roof panel on the locker and attach to the side panels with (6) 5/16" x .75" carriage bolts, washers, and locknuts. Attach to the door frames with (6) 5/16" x 2.25" carriage bolts, washers, and locknuts.

6

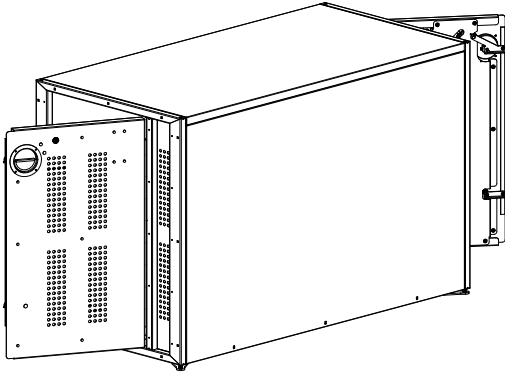


Check that the locker is level and square. Tighten all hardware.

DERO DOUBLE LOCKER™

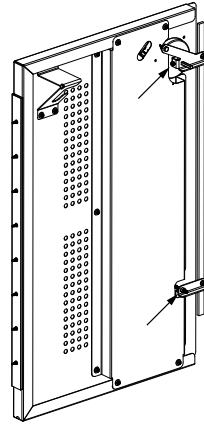
Installation Instructions

7



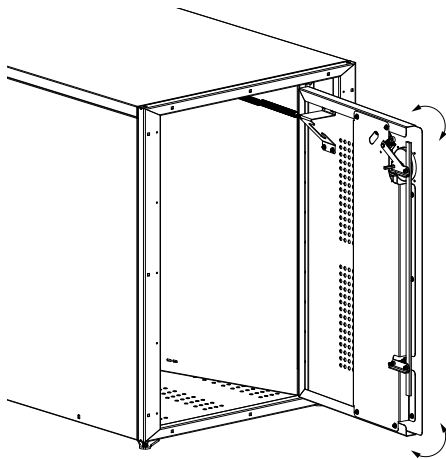
Attach each door assembly with (8) #12 x 3/4" self-drilling screws. Pilot holes are present but may be partially filled with zinc.

8



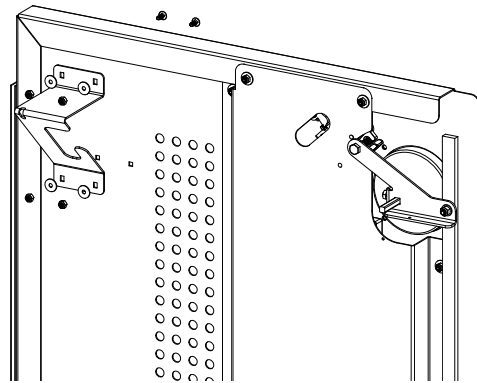
The gap between the door and latch bar may need to be adjusted to properly engage the door frame. This can be done via the 1/4" bolt that tightens against the handle spindle and the 5/16" nuts at the other pivot point.

9



If any twist needs to be taken out of the door, loosen the #10 locknuts, set the door, and re-tighten.

10

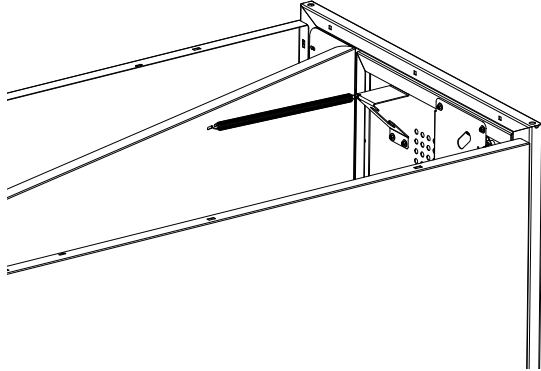


If a gear hook is needed, attach the gear hook to the door back with (4) #10 x .50" carriage bolts, washers, and locknuts.

DERO DOUBLE LOCKER™

Installation Instructions

11



If a door closer is needed, attach the spring to the gear hook and to the side panel. A needle-nose pliers is helpful.

12

Move the locker into the desired location, level it with the leveling feet, and secure it to the ground with (4) anchors. The leveling feet anchor holes should line up with the large holes in the locker floor.