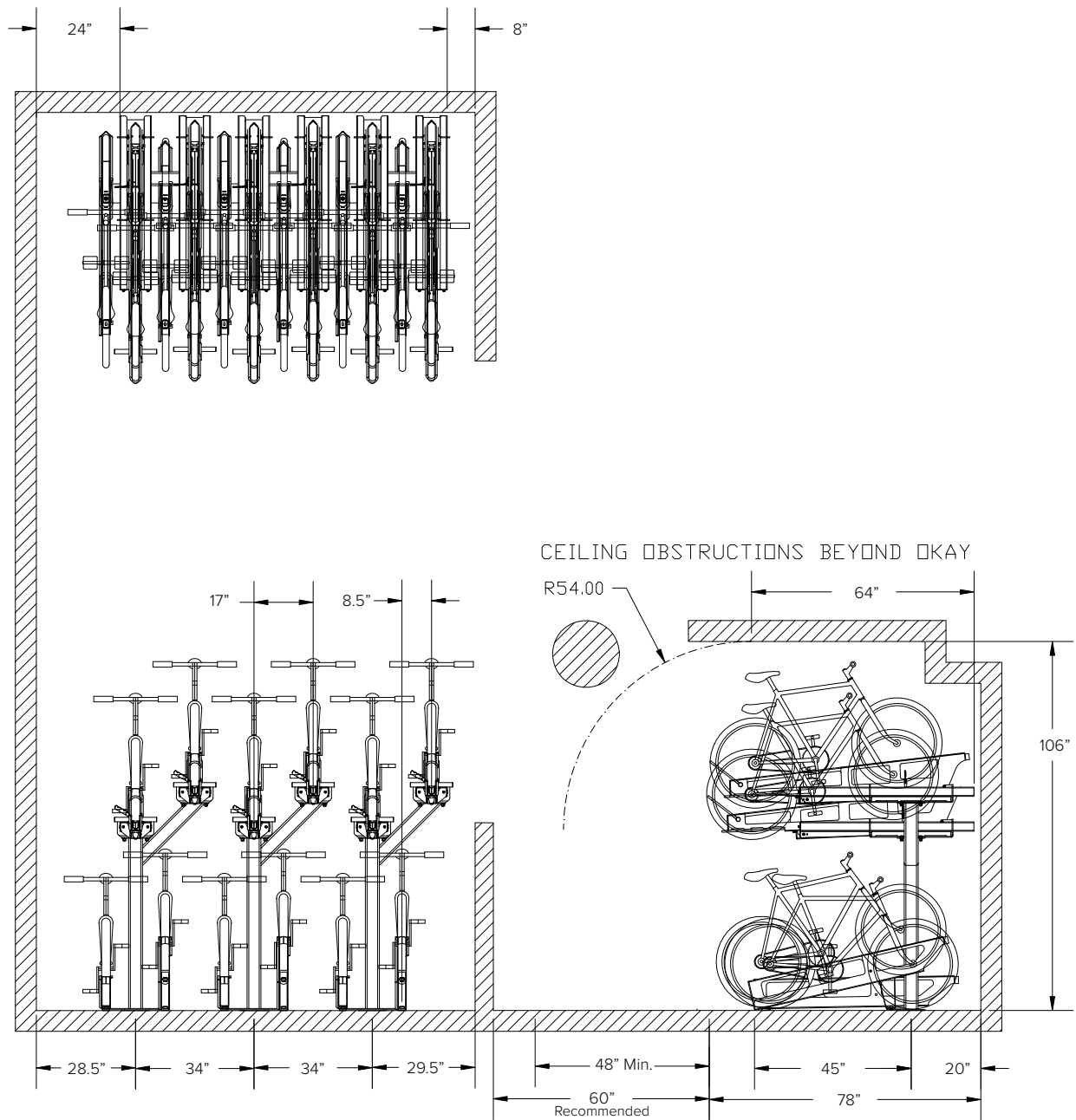


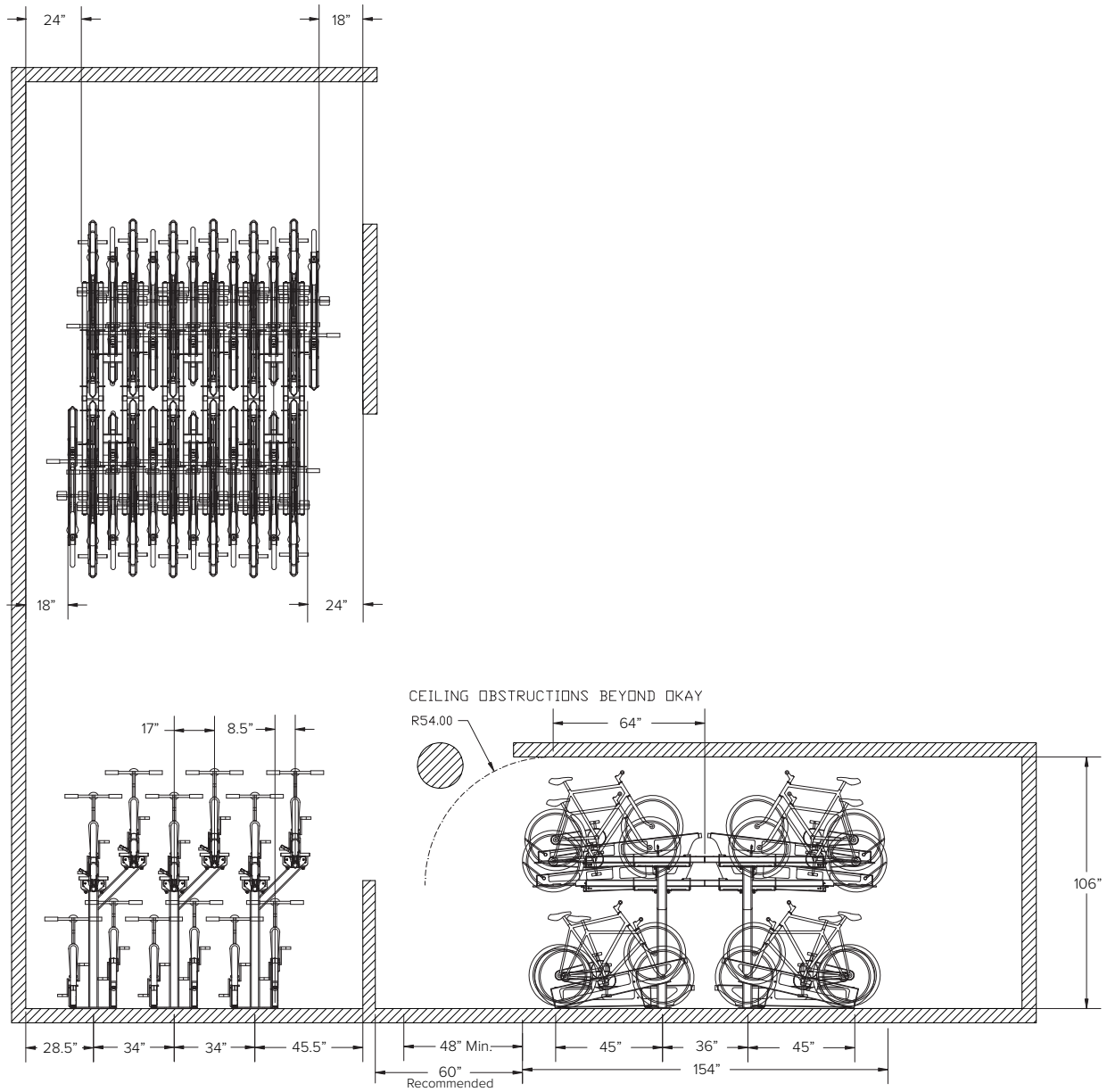
# DERO DECKER

## Installation Instructions – Setbacks, Single Sided



# DERO DECKER

## Installation Instructions – Setbacks, Double Sided



# DERO DECKER

## Installation Instructions

---

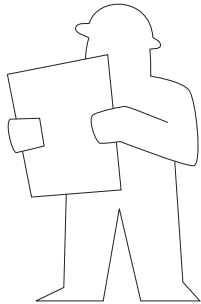
### TOOLS NEEDED

Hammer drill  
Masonry bit, 3/8", 1/2"  
Hammer  
Socket wrench  
Sockets, 9/16", 3/4"  
Socket extension, 4-6"

Hex wrench, 3/16"  
Tape measure  
Chalk line  
Marker  
Level

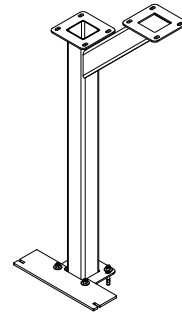
---

1



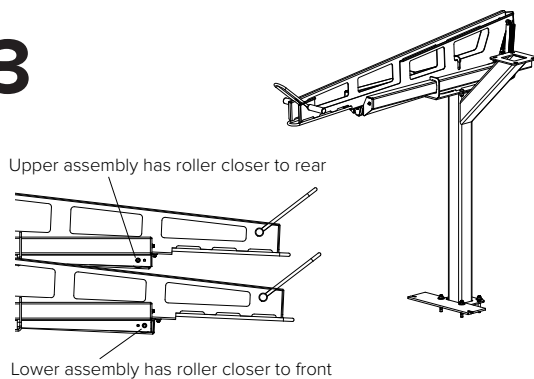
Refer to setback diagrams before installation to ensure sufficient space. Installation surface must be concrete of suitable strength. If surface is not level, contact Dero representative for workable solution.

2



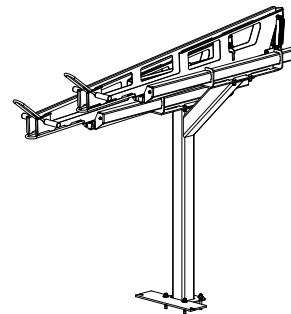
Place the Uprights in position and secure with (4) 1/2" x 3.75" wedge anchors. At least 1.25" of wedge anchor threads should remain above the concrete. The Lower Tray Mount should be placed on the front side of the Upright and secured with the existing wedge anchors.

3



Place the lower Cantilever Assembly on the lower Upright position and secure with (4) 1/2" x 1.25" carriage bolts, 1/2" washers, and 1/2" nylock nuts.

4



Do the same for the upper Cantilever Assembly.

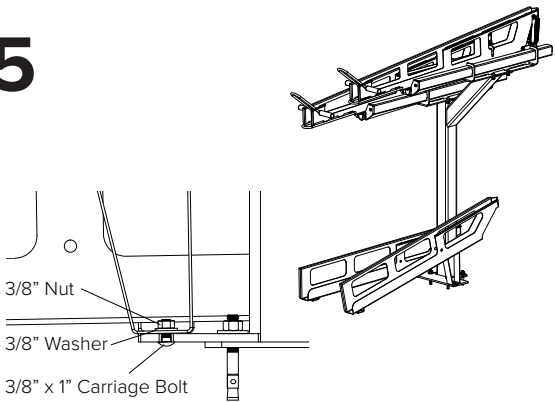
**TERRA BOUND**  
**SOLUTIONS™**

**DERO DECKER**

# Installation Instructions

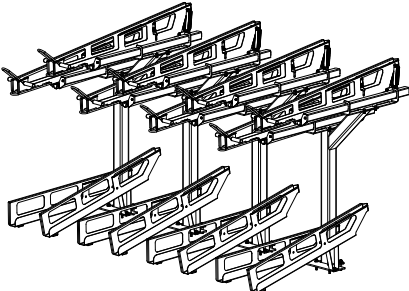
---

**5**



Place the bottom Lower and Upper Trays in position and secure at the rear with (1) 3/8" x 1" carriage bolt, 3/8" washer, and 3/8" nut each. Secure at the front with (1) 3/8" x 3" wedge anchor each.

**6**



Continue to the next section and repeat the previous steps.