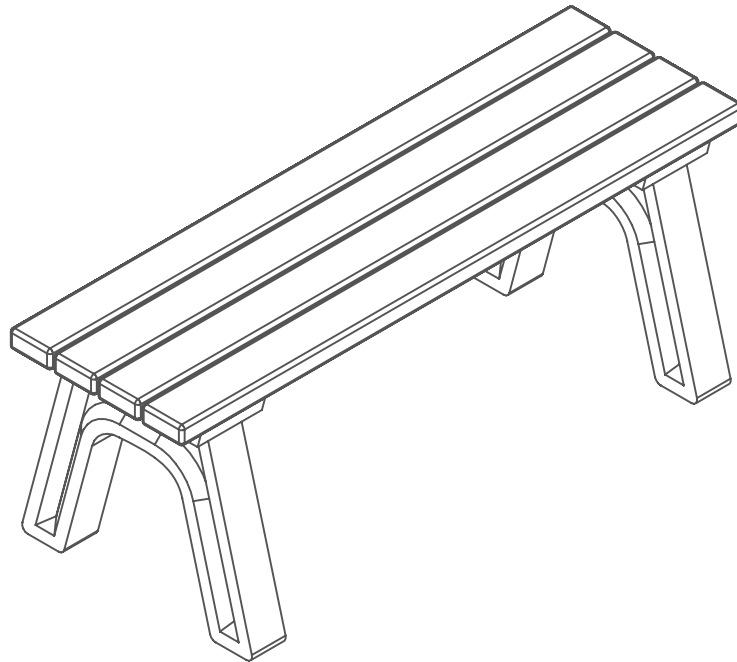


# 4 Foot Deluxe Flat Park Bench

For Fastener Pack  
(FP-DB4F-CU-01)



Congratulations !!

You have just purchased the finest recycled plastic  
park bench available. Enjoy !!!

Before assembly, please make sure all components are included.

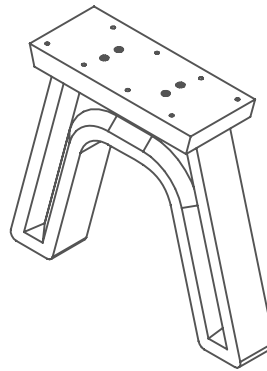
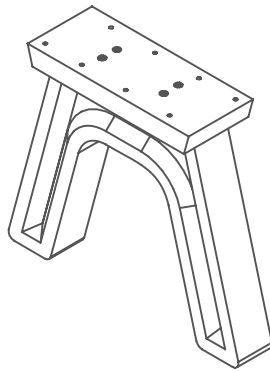


( 1 ) - One Fastener Pack  
FP-DB4F-CU-01

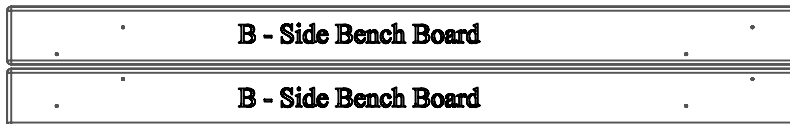
FP - Fastener Pack

C - Bench End

C - Bench End



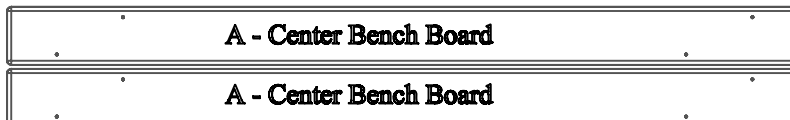
( 2 ) - Two Bench Ends  
BSA-FME-B-01



B - Side Bench Board

B - Side Bench Board

( 2 ) - Two Side Bench Boards  
BP-DB4F-B-01



A - Center Bench Board

A - Center Bench Board

( 2 ) - Two Center Bench Boards  
BP-DB4F-A-01

Before assembly, please make sure all fasteners are included.

16 - #12 x 2 1/2" Flat Head Phillips Screw

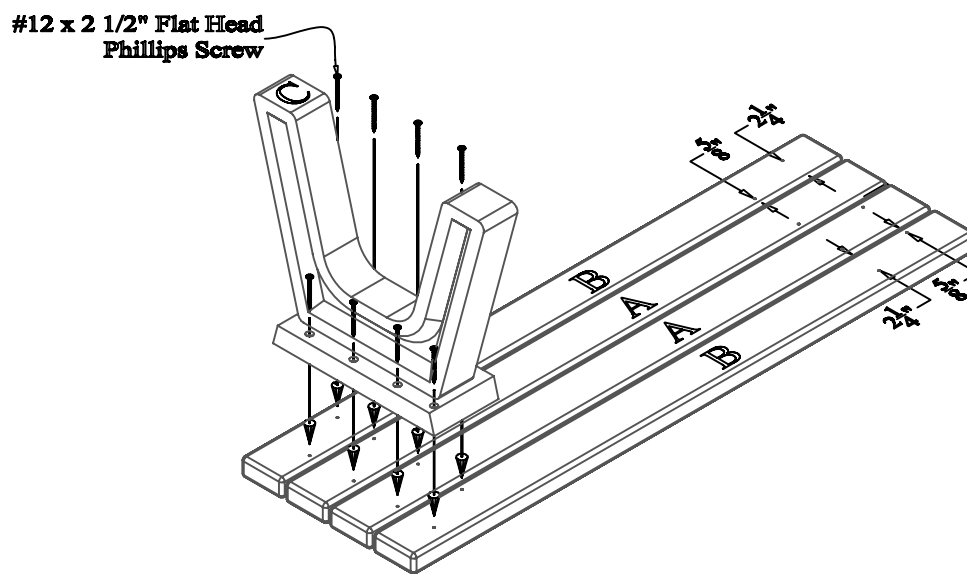


Also needed for this assembly will be the following materials:

1 - #3 Phillips Drive Bit

### Step #1:

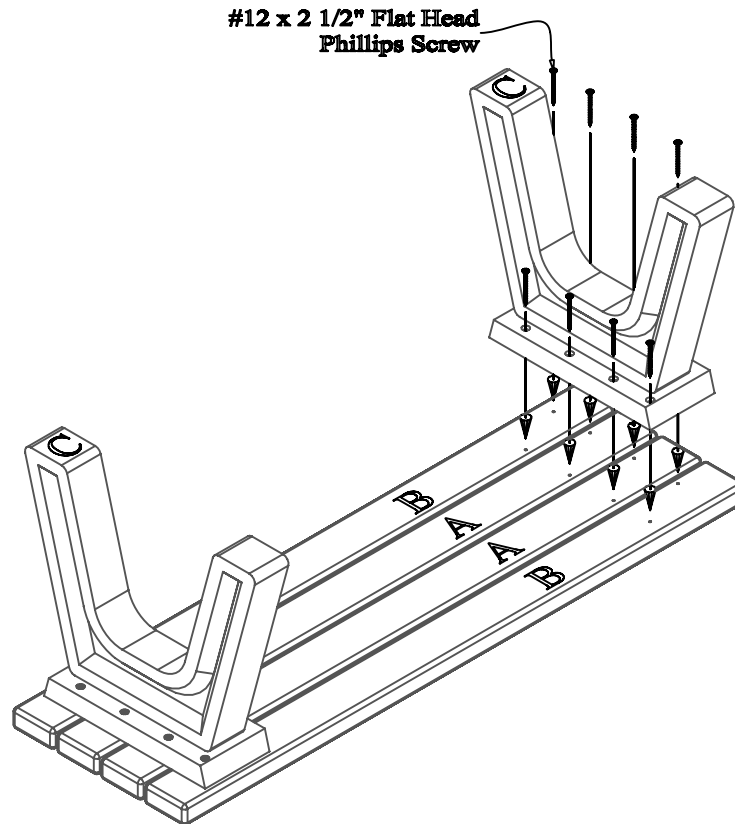
Place the Center Bench Boards on a level surface with the pilot holes facing up. On each side of the Center Bench Boards place (1) One Side Bench Board with the pilot holes closest to the Center Bench Boards and facing up.



### Step #2:

Place (1) One Bench End in position as shown above being sure to align the pre-drilled holes to the pilot holes in the bench boards. After the holes are properly aligned, fasten with (1) One #12 x 2 1/2" Flat Head Phillips Screw per hole to secure.

Note: Do not tighten screw completely. This will be done in a later step.



### Step #3:

Place the last Bench End in position as shown above being sure to align the pre-drilled holes to the pilot holes in the bench boards. After the holes are properly aligned, fasten with (1) One #12 x 2 1/2" Flat Head Phillips Screw per hole to secure.

Note: Be sure to tighten all screws completely after this step.