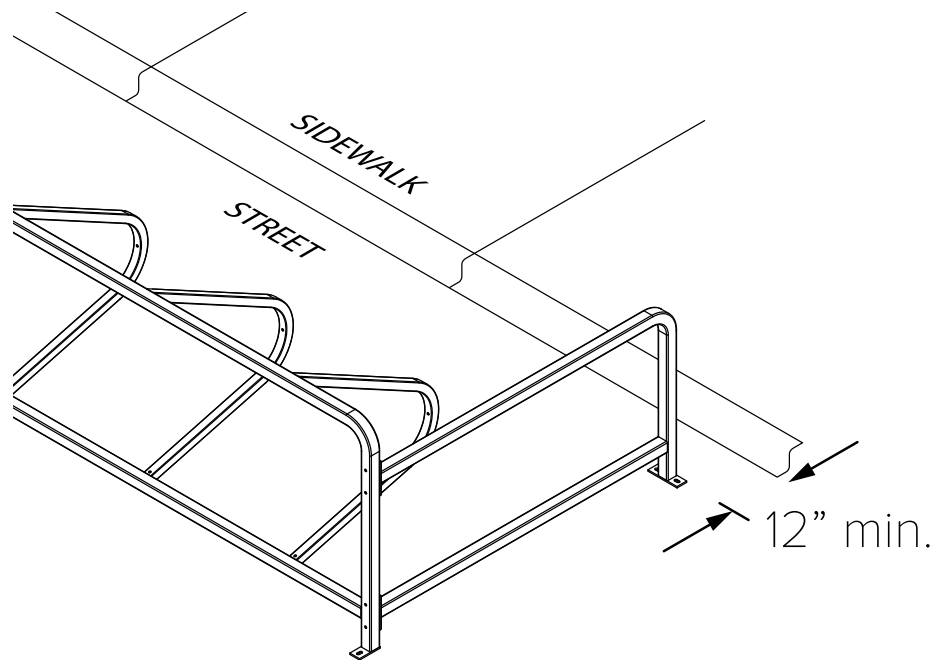


# CYCLE STALL ELITE

## Setbacks

---



*Be sure to check with your local  
municipal codes and laws for on-street  
installation regulations.*

# CYCLE STALL ELITE

## Installation Instructions

---

### TOOLS NEEDED

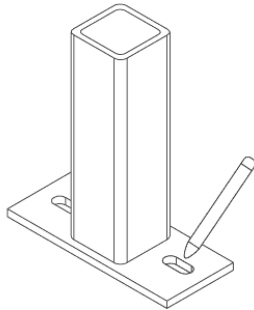
Tape Measure  
Marker or Pencil  
Masonry Drill Bit 3/8"  
Drill (Hammer drill recommended)  
Hammer  
Wrench 9/16"

### RECOMMENDED BASE MATERIAL

A concrete base is the best surface for installation. For installation into asphalt, separate asphalt anchors and instructions will be sent with the rack.

---

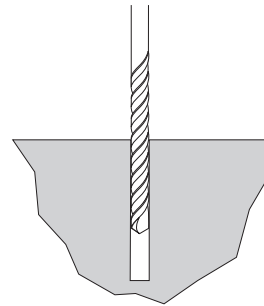
**1**



Attach the Cycle Stall segments on street with the supplied 3/8" x 2.75" carriage bolts, and move assembled unit into place.

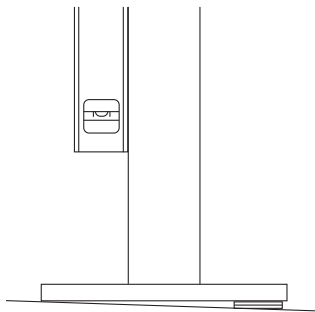
Place the rack in the desired location. Use a marker or pencil to outline the holes of the flange onto the base material.

**2**



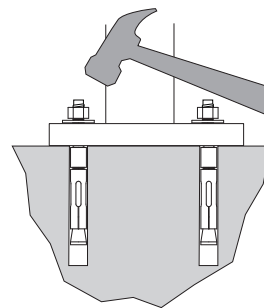
Drill 3/8" diameter holes 3" deep into surface. Make sure the holes are at least 3" away from any cracks in the base material.

**3**



Place rack (and washers to level rack if necessary) over holes.

**4**



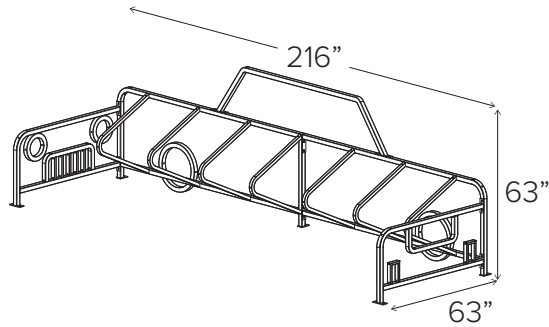
Thread nuts onto anchors, leaving approximately 1/4" of the anchor protruding, and tap into surface. Tighten nuts down to secure rack.



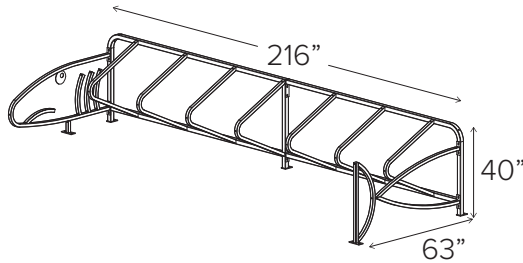
# CYCLE STALL ELITE

## Custom Options

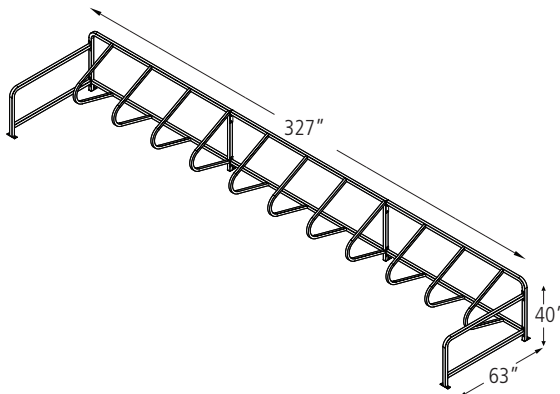
---



The optional car kit puts an ironic twist to on-street parking. Unlike the real thing, this vehicle does not produce harmful emissions and instead encourages a healthier, greener way of getting around town.



Lure bicyclists into this safe harbor with the specially designed fish kit. This specialized Cycle Stall would complement any waterside streetscape or aquatic themed organization.



Due to the Cycle Stall's modular design, additional extender units may be ordered where a higher bike parking capacity is required. Each extension adds parking for 8 more bikes.

