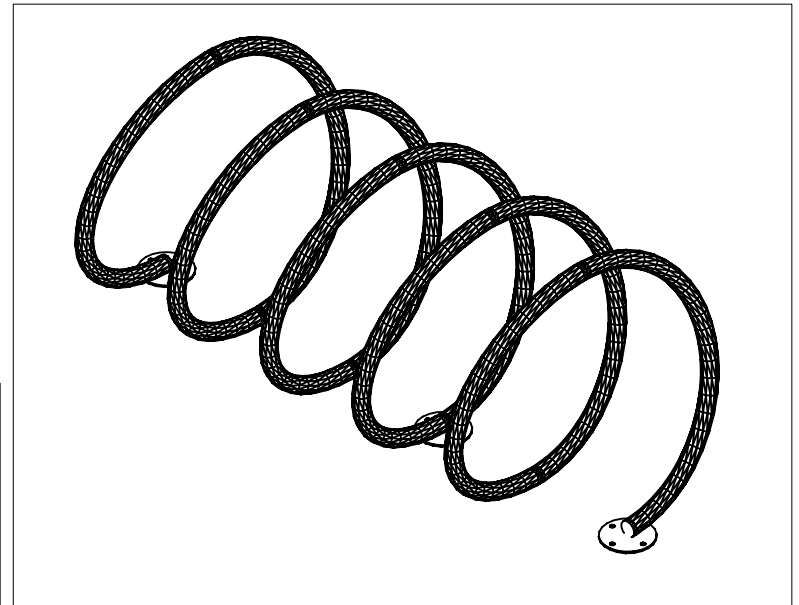
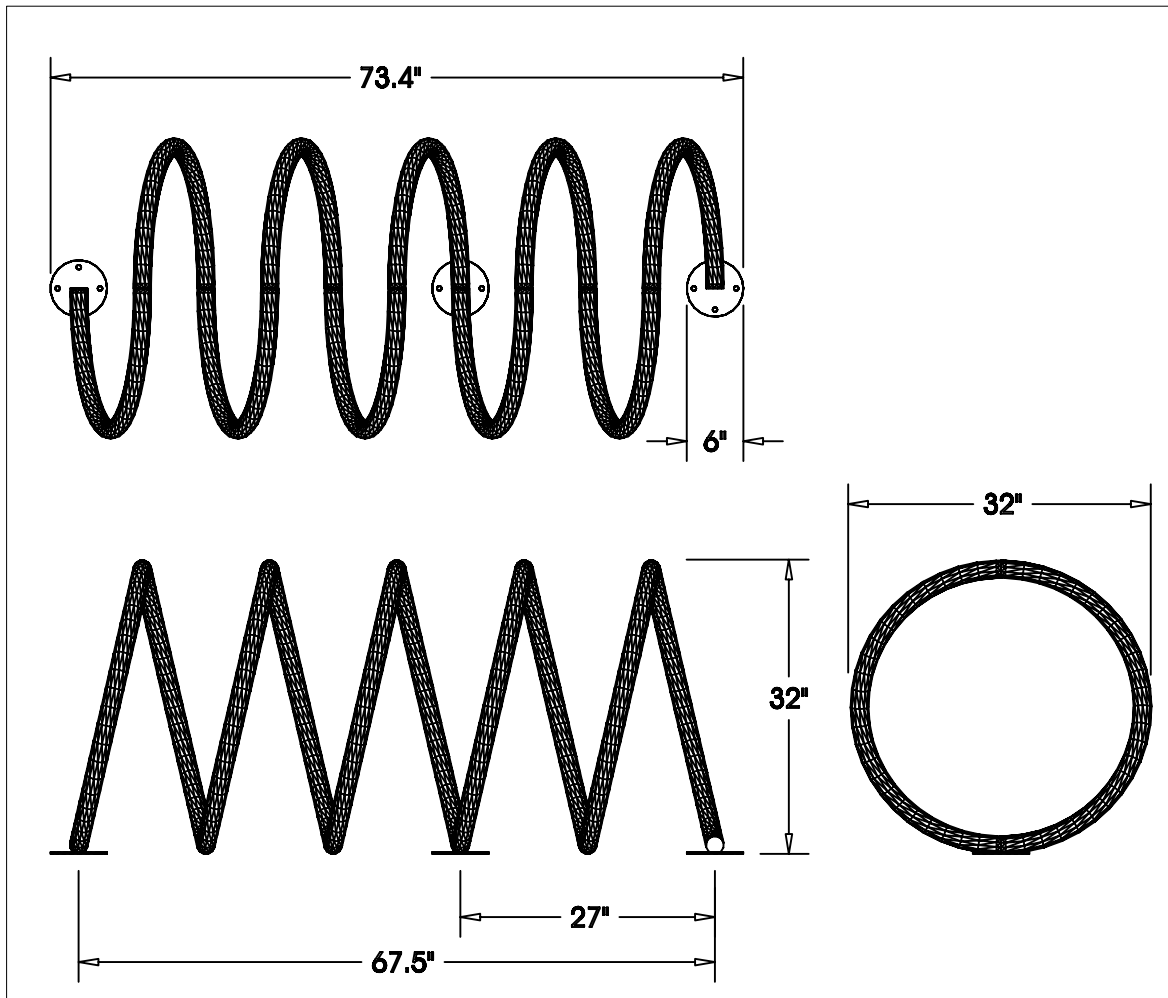


Bike-Coil 10-Bike Rack  
Surface Mount  
Model: BRBC-10



Capacity:

10 Bicycles (5 per side)

Materials:

1.9" x 0.095" Wall In-Line Galvanized Steel Tube  
7 Ga. (3/16") Steel Plate

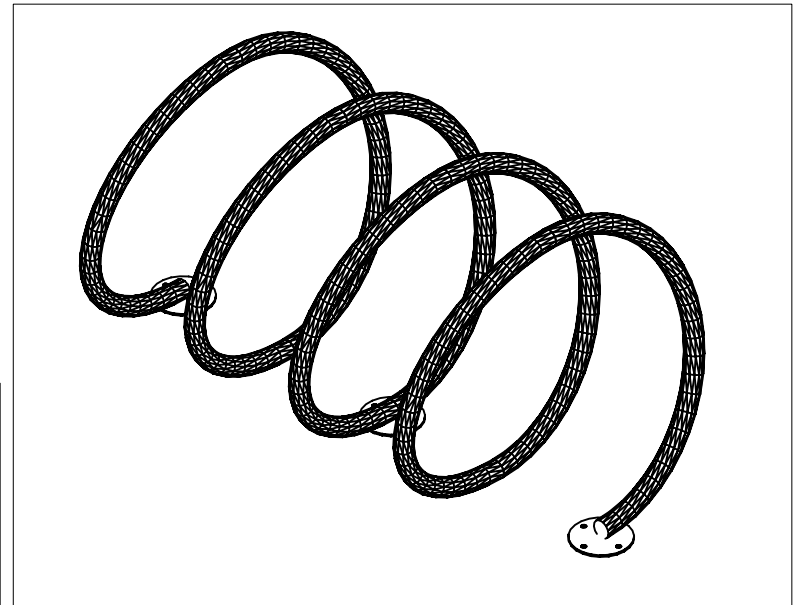
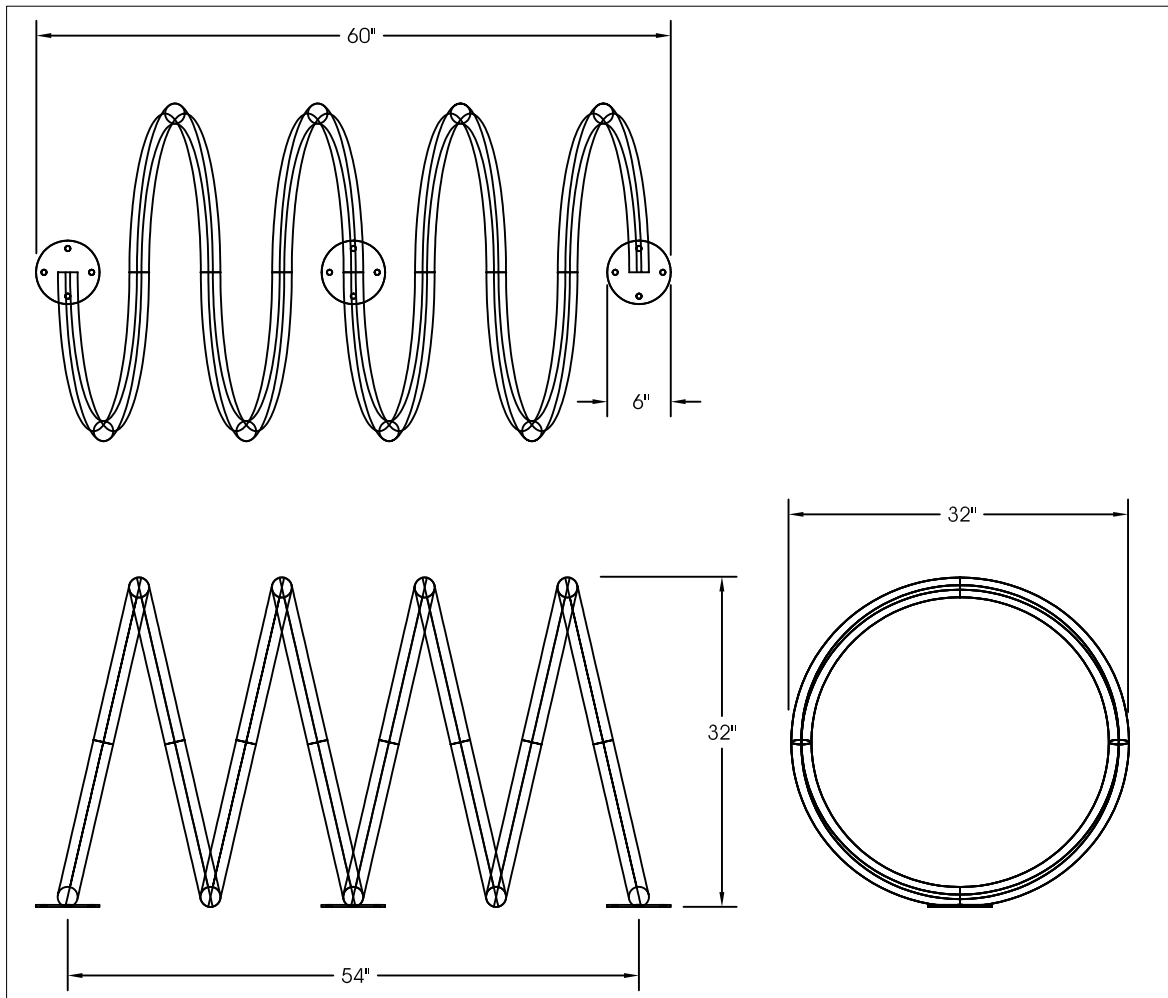
Finish:

Polyester Powder Coating

Note: Anchoring Hardware Not Included



Bike-Coil 8-Bike Rack  
Surface Mount  
Model: BRBC-8



Capacity:

8 Bicycles (4 per side)

Materials:

1.9" x 0.095" Wall In-Line Galvanized Steel Tube

7 Ga. (3/16") Steel Plate

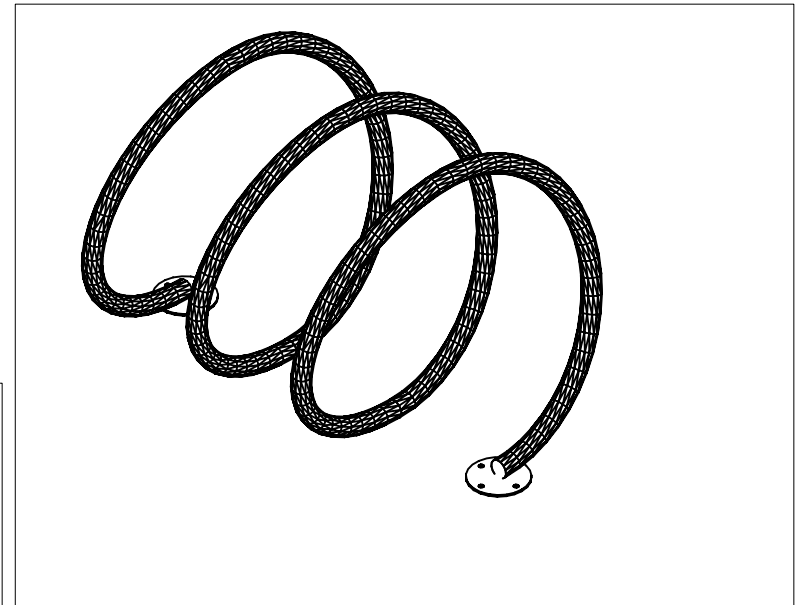
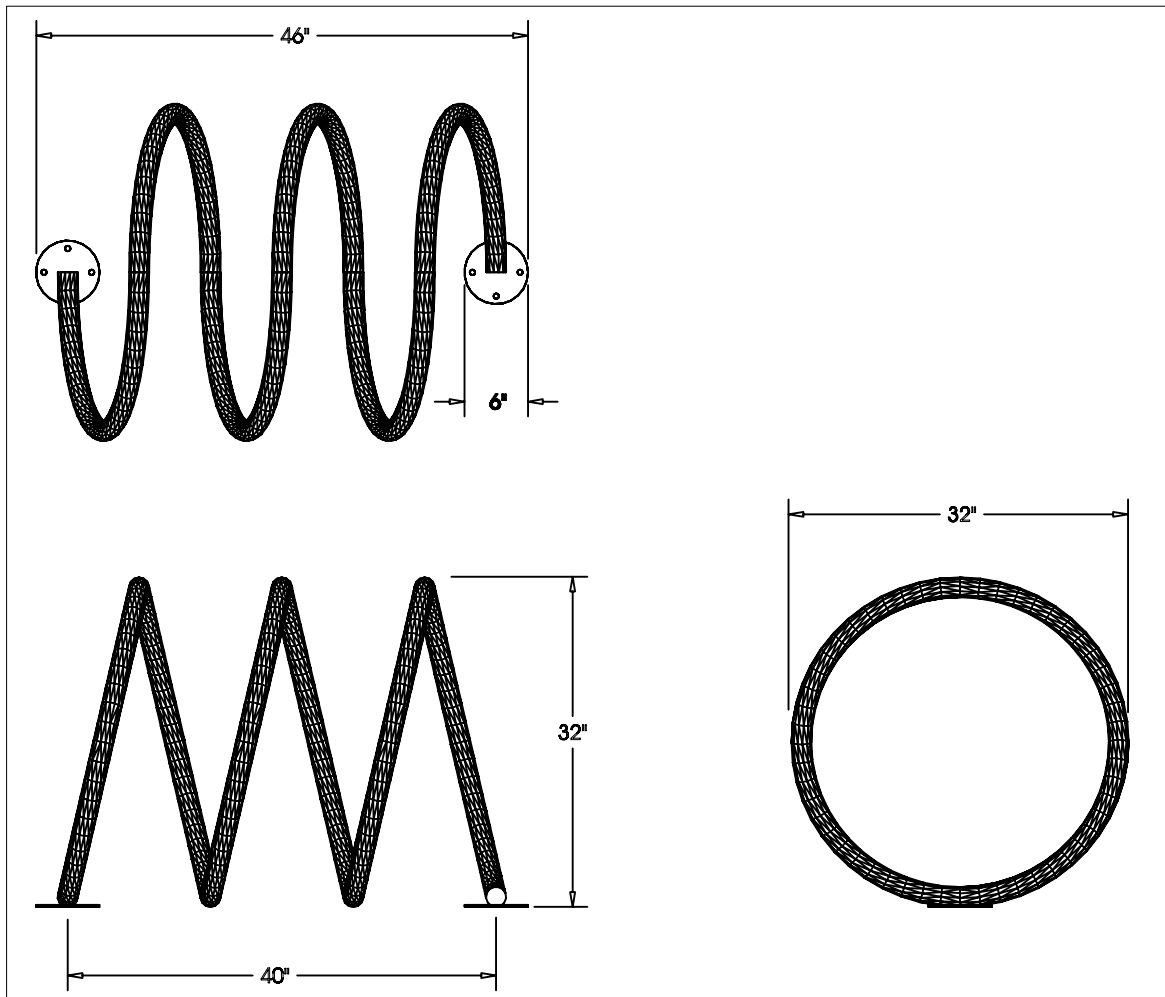
Finish:

Polyester Powder Coating

Note: Anchoring Hardware Not Included

Rev. 13Mar07

Bike-Coil 6 Bike Rack  
Surface Mount  
Model: BRBC-6



Capacity:

6 Bicycles Max. (3 per side)

Materials:

1.9" x 0.095" Wall In-Line Galvanized Steel  
Tube

7 Ga. (3/16") Steel Plate

Finish:

Polyester Powder Coating Top Coat  
over E-Coat Primer.

Note: Anchoring Hardware Not Included

Rev. 15Sep10