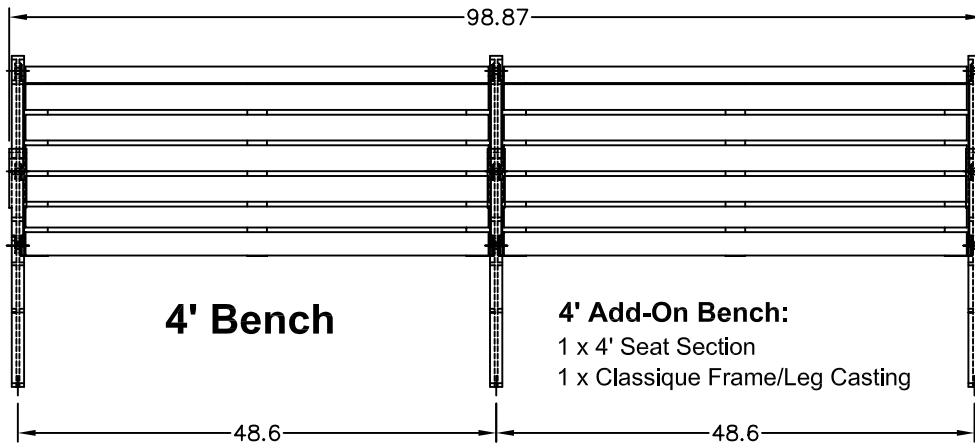
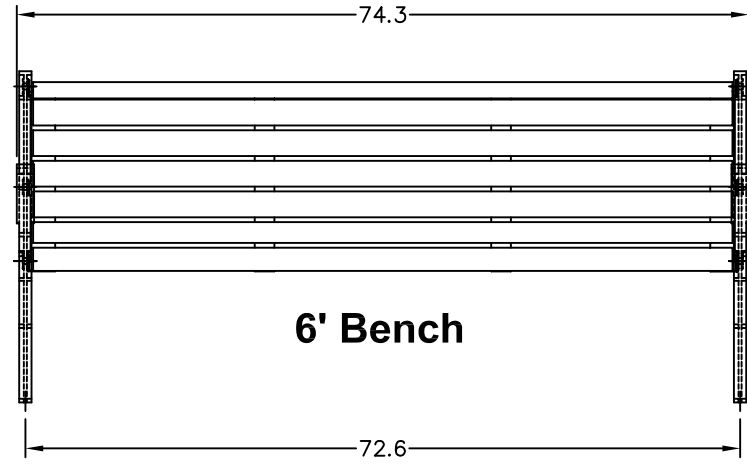
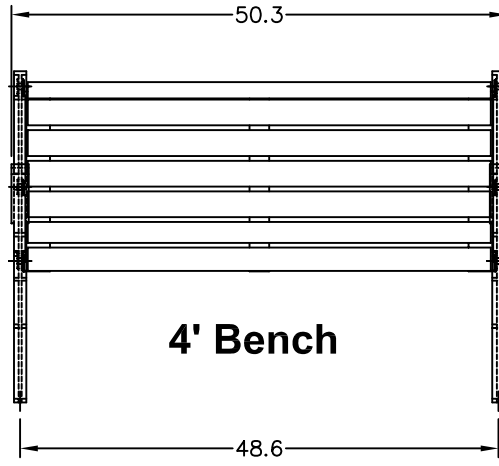
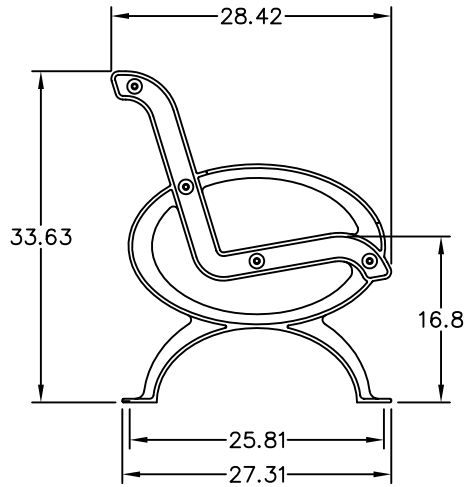


CLASSIQUE - 4' & 6' - Specifications



Materials:

2 1/2" x 1" Cedar

Stainless Steel Security Hardware and Carriage Bolts

11 ga. Galvanized Steel Brackets & Braces

Cast Iron Legs/Frames, 5/16" average wall thickness

Frame Finish:

Electrostatically Applied Polyester Powder Coat.

Note: Anchoring Hardware Not Included

Dimensions: inches

