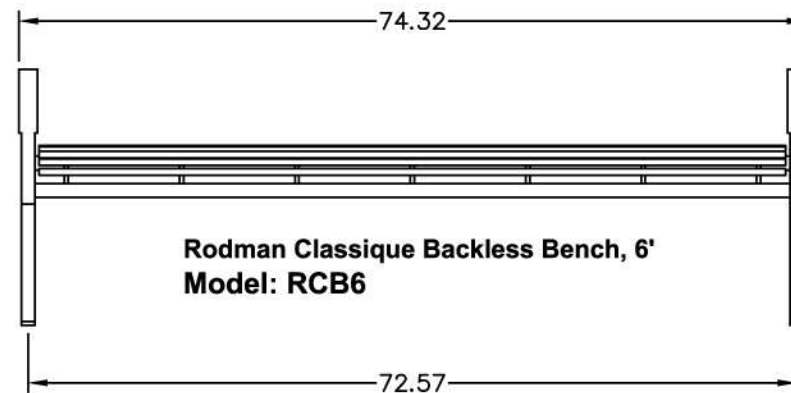
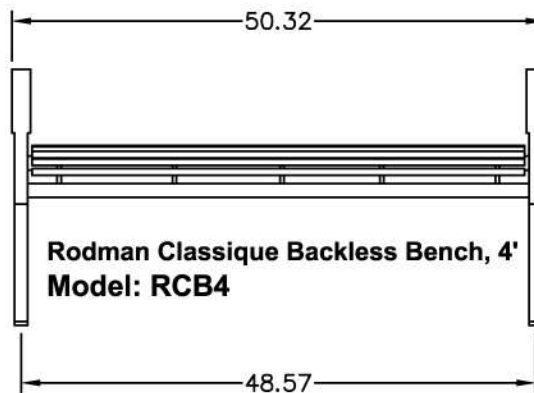
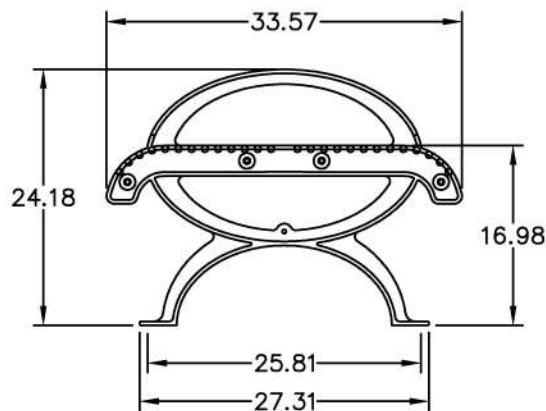


# Rodman Classique 4' & 6' Benches - Specifications



## Materials:

- 1 5/6" O.D. In-line Galv. Tube
- 5/8" O.D. Steel Rod (Seat Slats)
- 3/8" O.D. Steel Rod
- 3/8-16 Stainless Steel Security Hardware
- 11 ga. Galvanized Steel Brackets
- Cast Iron Legs/Frames, 5/16" average wall thickness

## Finishes:

- Electrostatically Applied Polyester Powder Coat.
- Seat Sections also available with Polyethylene Thermo Plastic Coating.

Note: Anchoring Hardware Not Included

Dimensions: inches

Rev. 07Sep07