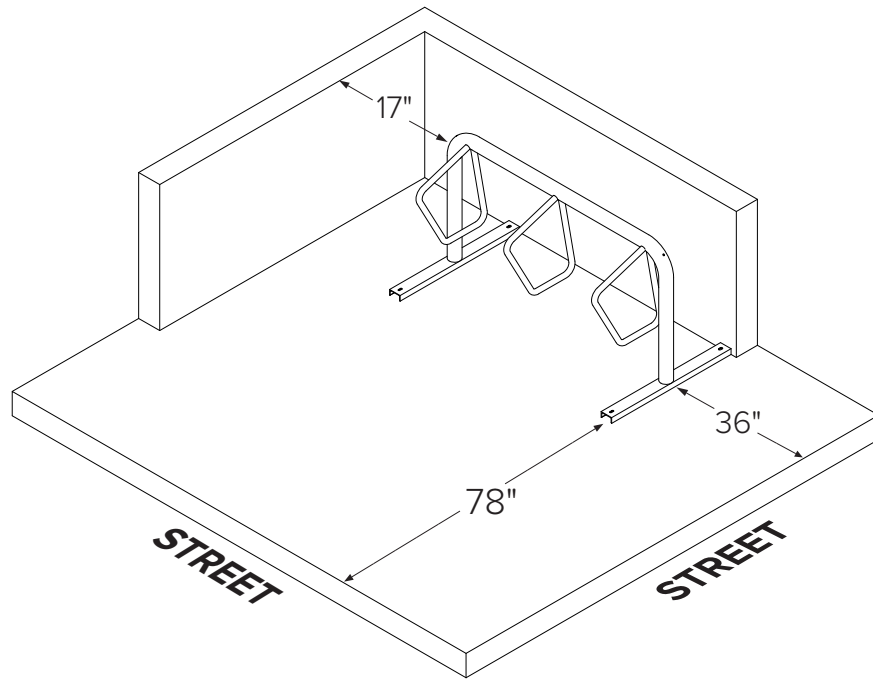


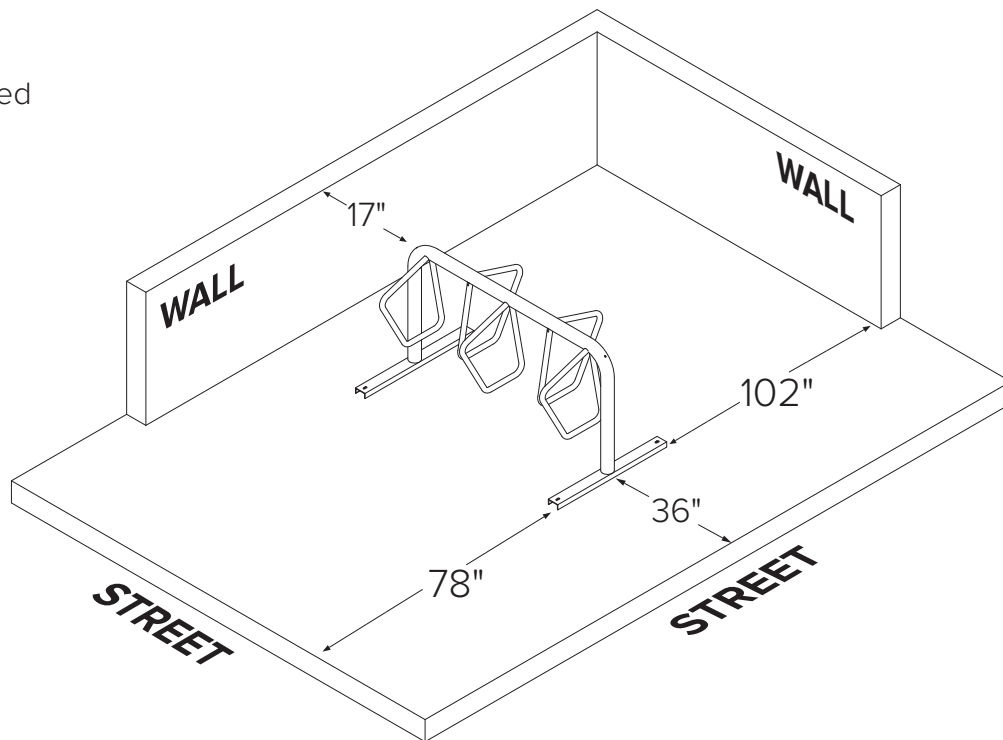
# CAMPUS RACK

## Setbacks

Single Sided



Double Sided



# CAMPUS RACK

## Installation Instructions – Surface Mount

---

### TOOLS NEEDED

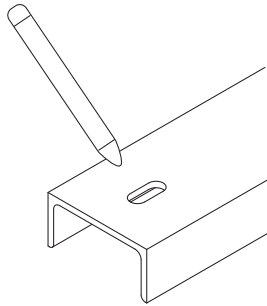
Tape Measure  
Marker or Pencil  
Masonry Drill Bit 3/8"  
Drill (Hammer drill recommended)  
Hammer  
Wrench 9/16"

### RECOMMENDED BASE MATERIAL

For freestanding units, nearly any level surface is acceptable and no anchoring is necessary. For anchored units a concrete base is best.

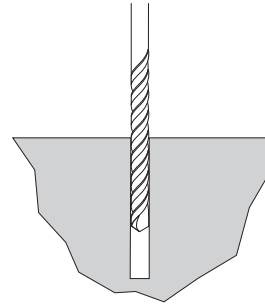
---

**1**



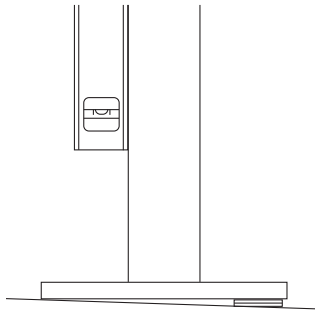
Place the rack in the desired location. Use a marker or pencil to outline the holes of the flange onto the base material.

**2**



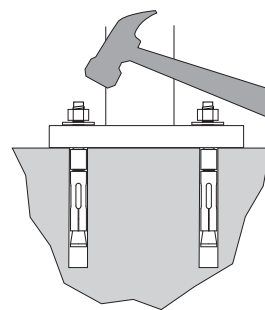
Drill 3/8" diameter holes 3" deep into surface. Make sure the holes are at least 3" away from any cracks in the base material.

**3**



Place rack (and washers to level rack if necessary) over holes.

**4**



Thread nuts onto anchors, leaving approximately 1/4" of the anchor protruding, and tap into surface. Tighten nuts down to secure rack.

**TERRA BOUND**  
SOLUTIONS™

# CAMPUS RACK

## Installation Instructions – In Ground Mount

### TOOLS NEEDED

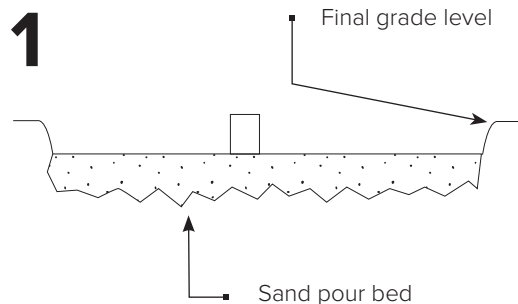
Level  
Cement mixing tub  
Shovel  
Trowel

Hole coring machine with 4" bit  
Access to water hose  
Materials to build brace (see "Install Tip" at bottom of page)

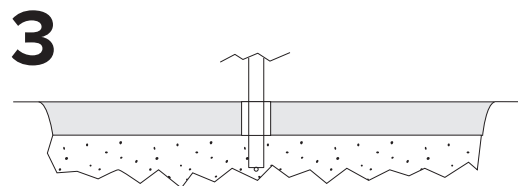
### INSTALLING INTO EXISTING SIDEWALK

Core holes no less than 4" diameter (5" recommended) and 10" deep into sidewalk. Fill holes with Por-Rok or epoxy grout. Place rack into holes, making sure the rack is level. 33"-36" of the rack should remain above the surface. If the rack is less than 33" high, it will not support the bike adequately. Make sure the rack is level and held in place until the grout has set.

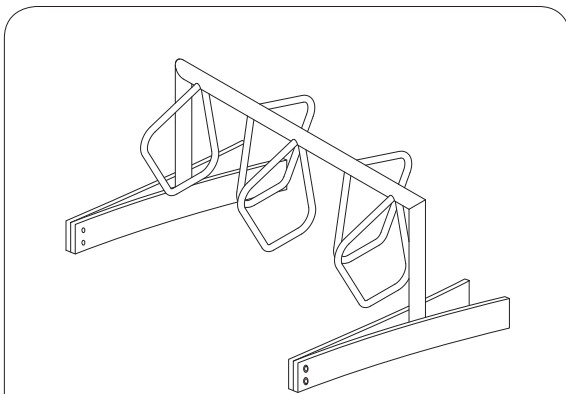
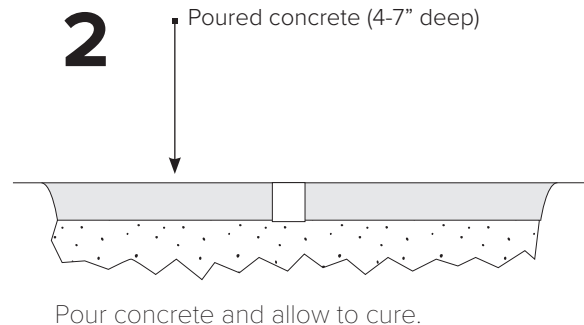
### INSTALLING INTO A NEW SIDEWALK



Place corrosion resistant sleeve (min. 4" inside diameter) in sand pour bed in exact location where rack will be installed. Make sure top of sleeve is at same level as desired finished concrete surface. Fill sleeve with sand to keep it in place and prevent it from filling with concrete.



After appropriate cure time, dig out sand from sleeves and insert racks, making sure they are level and at the appropriate height. Pour in Por-Rok or epoxy grout and allow to set.



#### INSTALL TIP

An easy way to brace the rack while the grout sets is to bolt two 1x4" boards together at one end and clamp them onto the rack like a clothes pin.