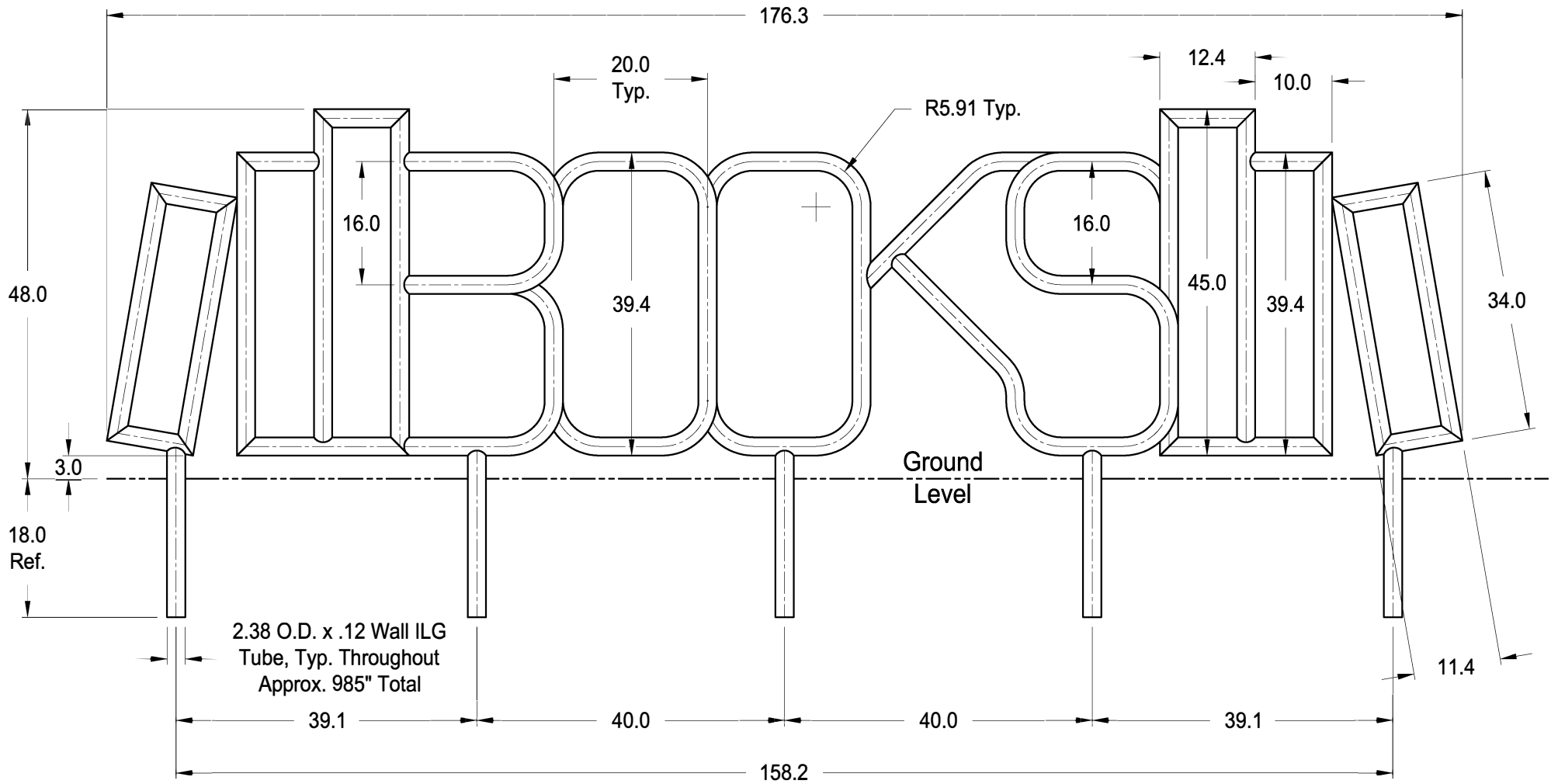


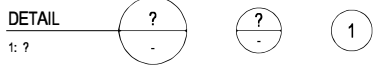
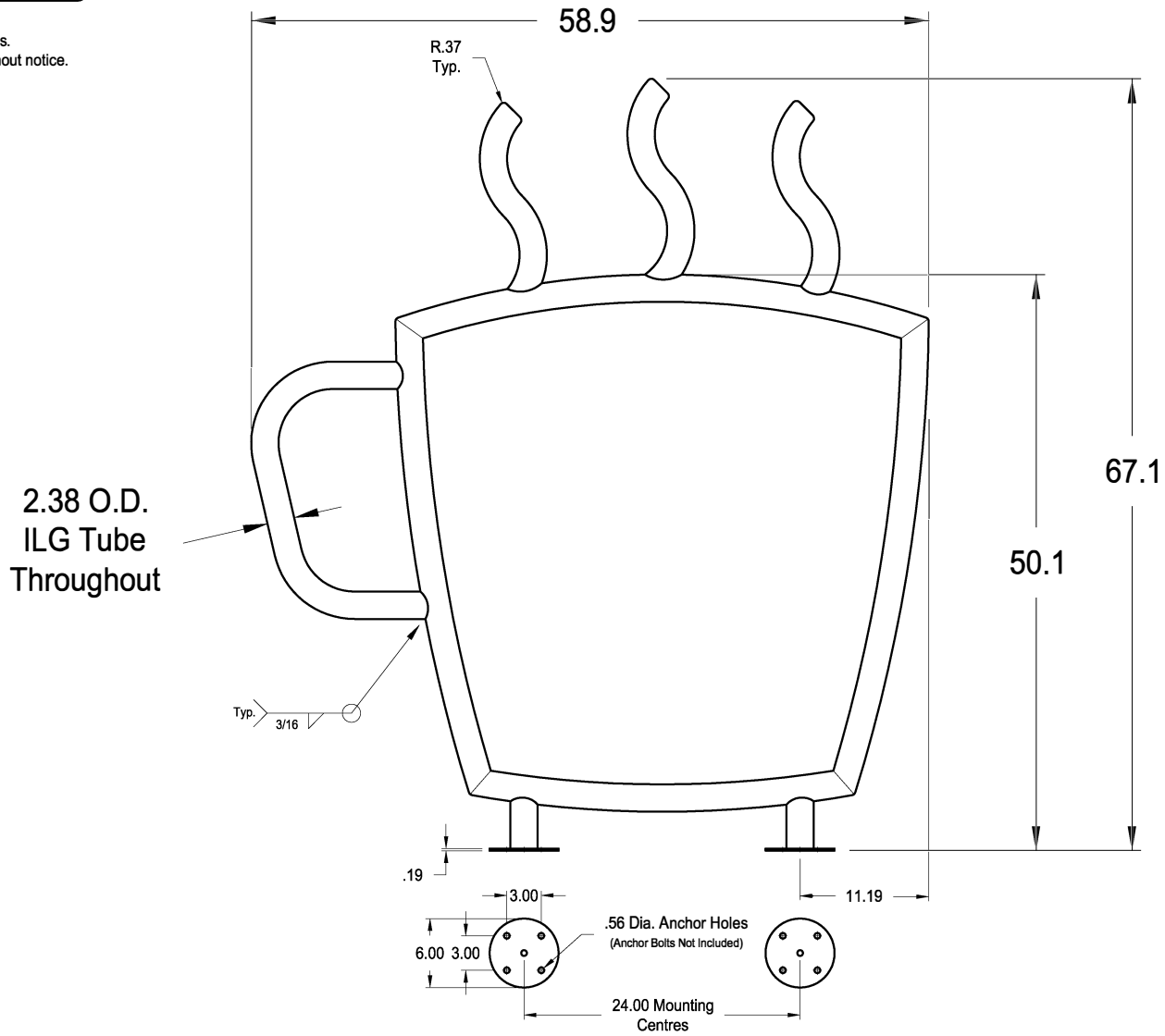
"BOOKS" Library Bike Rack

Capacity: 10 Bikes



BREAK ALL EDGES AND CORNERS

NOTES:
 Dimensions shown are in inches.
 Specifications may change without notice.



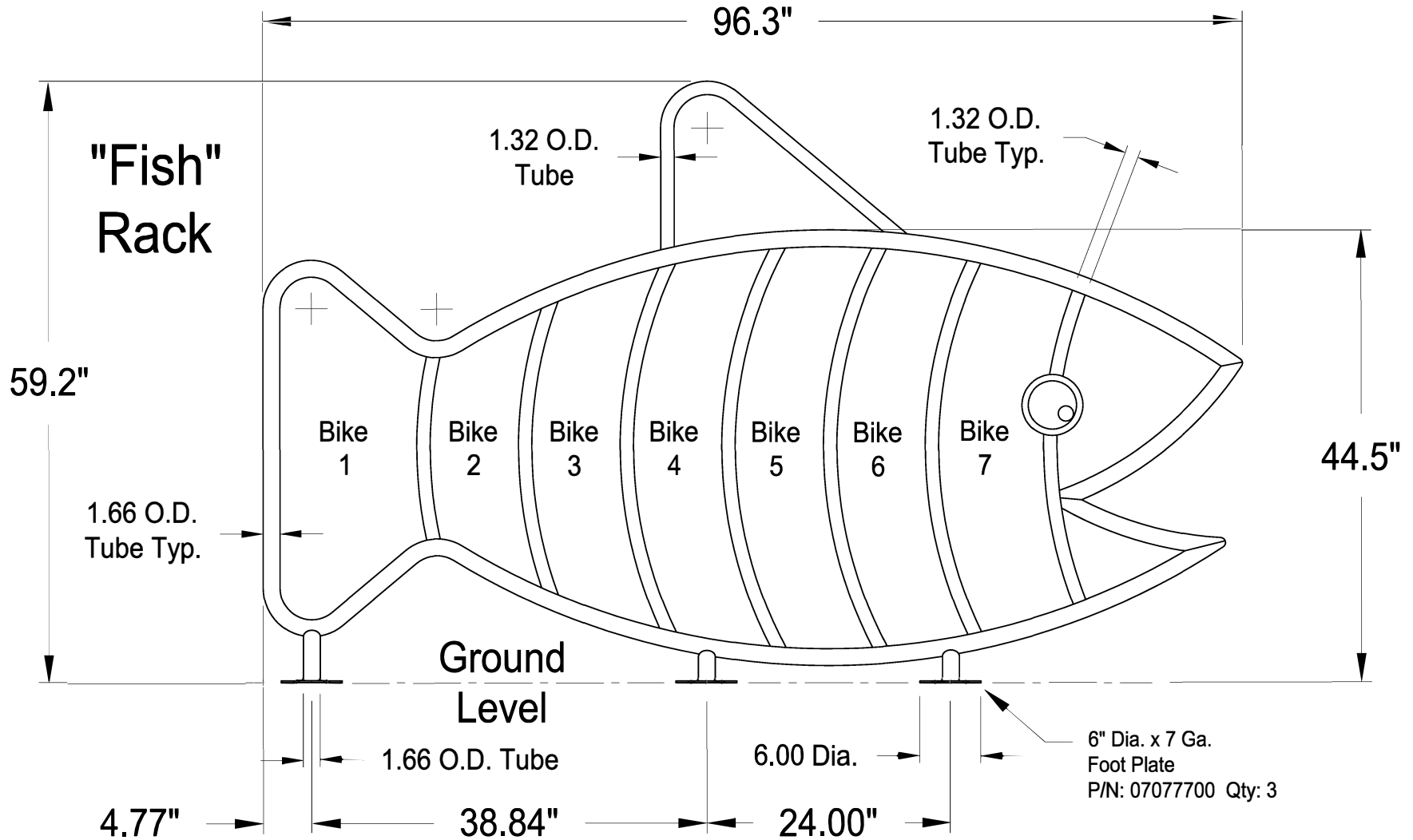
2	6" O.D x .1	9" Thick Base Plate	07077700	2
1	2 3/8" O.D x .1	20" ILG Tube x 250" Long	-	1
ITEM	DESCRIPTION		P/N	QTY

SCALE: 1 :1 0	TITLE
DATE: 20Aug09	Coffee Cup Bike Rack
DRAWN BY: D PH	
CHECKED BY: -	DWG NO: Model: BRCC-SF
SHEET 1 OF 1	REVISION

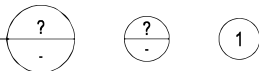
NEW DRAWING RELEASE	DATE	BY
REVISION DESCRIPTION	DATE	BY
THE IDEAS AND INFORMATION CONTAINED WITHIN THIS PRINT ARE CONFIDENTIAL AND MUST NOT BE LENT, COPIED OR USED WITHOUT WRITTEN CONSENT.		

TOLERANCES UNLESS OTHERWISE NOTED:
 2 PLACE DEC. ±.030
 3 PLACE DEC. ±.010
 ANGLES ±1.0°

BREAK ALL EDGES AND CORNERS



DETAIL
1: ?

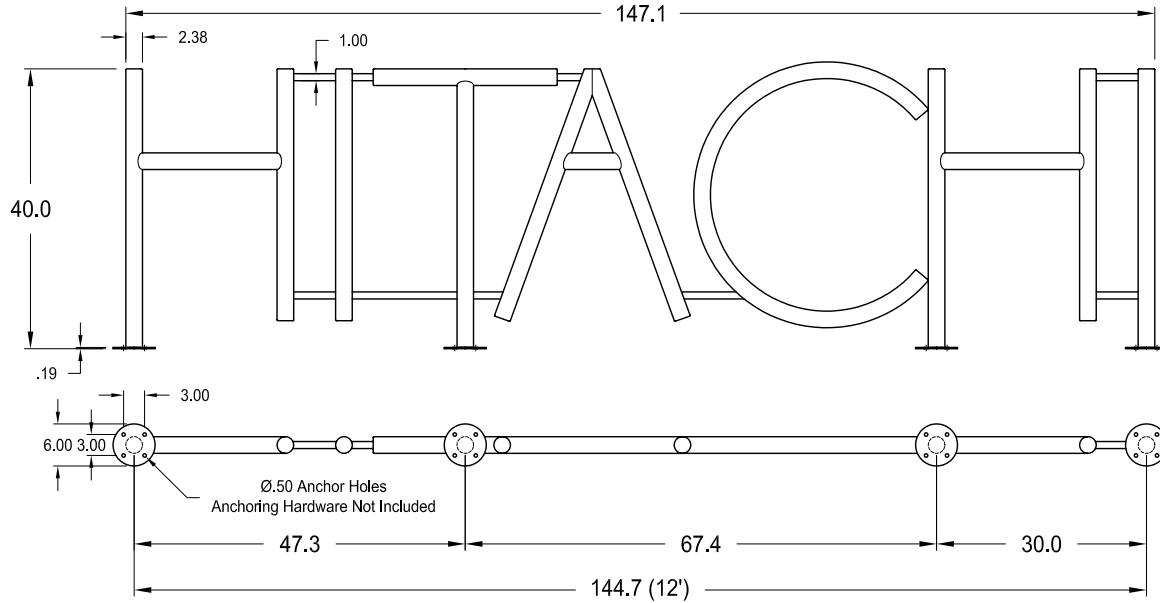


ITEM	DESCRIPTION	P/N	QTY
1			
SCALE: 1:18		TITLE	
DATE: 30Nov09		"Fish" Surface Mount Bike Rack	
DRAWN BY: DPH		DWG NO:	
CHECKED BY: -		REVISION	
SHEET 1 OF 1			

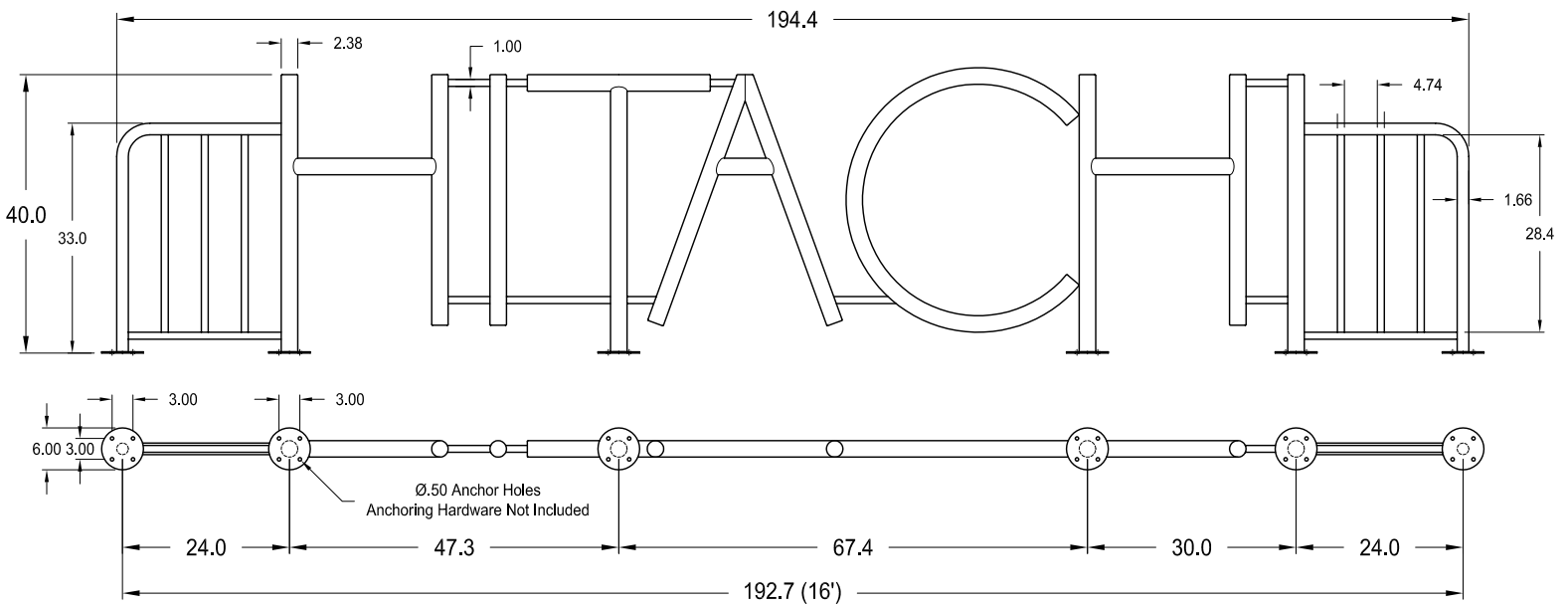
REV	ECN	REVISION DESCRIPTION	DATE	BY
-	ERN--	NEW DRAWING RELEASE	-	-
THE IDEAS AND INFORMATION CONTAINED WITHIN THIS PRINT ARE CONFIDENTIAL AND MUST NOT BE LENT, COPIED OR USED WITHOUT WRITTEN CONSENT.				

TOLERANCES UNLESS OTHERWISE NOTED:
2 PLACE DEC. ±.030
3 PLACE DEC. ±.010
ANGLES ±1.0°

Capacity: 13 to 15 Bikes



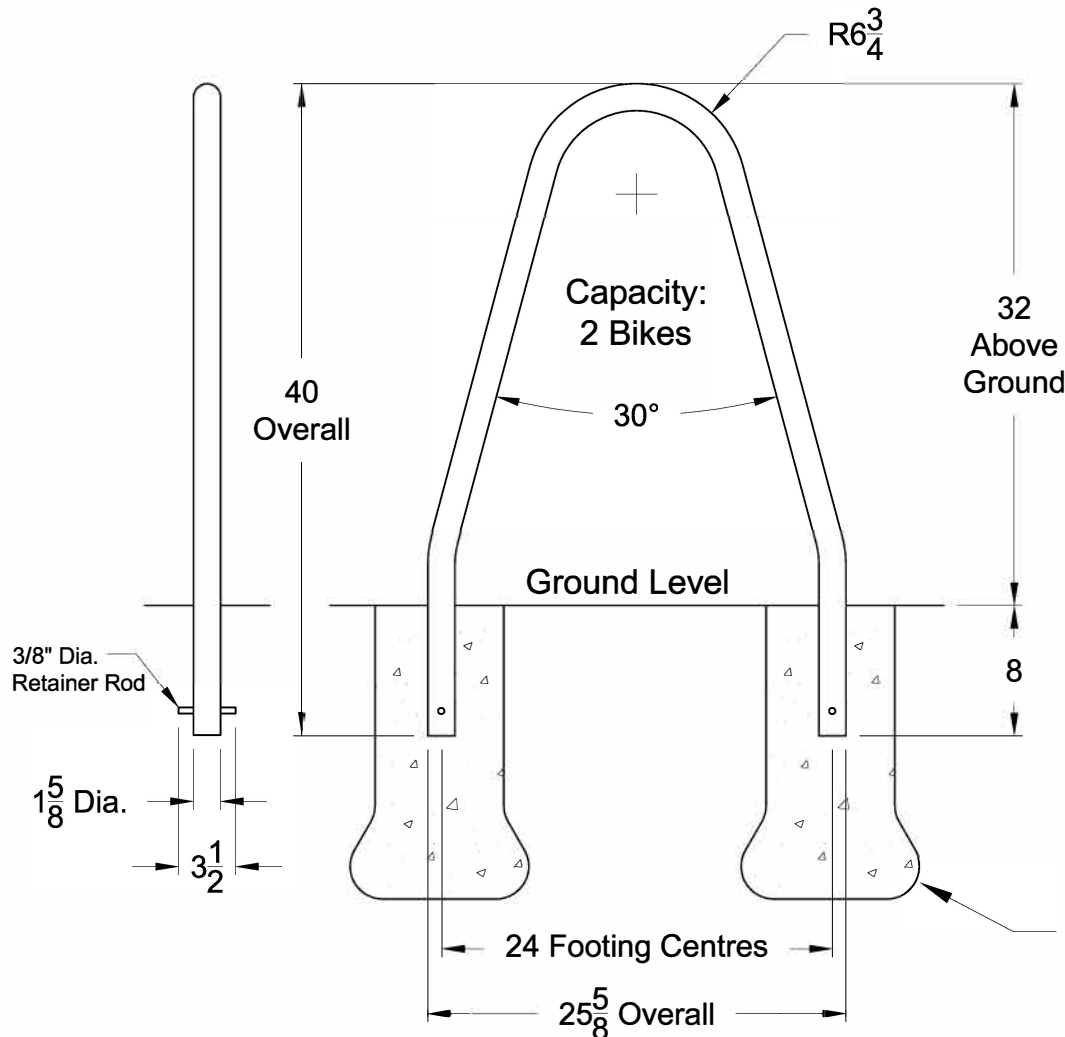
Capacity: 17 to 19 Bikes



Stainless Steel Arch Bicycle Rack Specifications

TERRA BOUND
SOLUTIONS™

Tapered Arch, Inground Model: BR16632T-IG-SS



Materials:

- 1.66" O.D. x .120" Wall Stainless Steel Tube, Schedule 10 (0.109" Wall), Grade 304, Polished.

- $\frac{3}{8}$ " O.D. Steel Rod

Notes:

Dimensions shown in inches.

We have endeavoured to insure that all product specifications listed on this document were correct at time of publication.

We reserve the right to improve, alter, or discontinue specifications without notice.

Rev. 11Jan10

Concrete Footing Depth and Diameter to suit local frost conditions

T - Bicycle Rack

Painted Steel, Surface Mount, 2-Bike Capacity

Model: TBR-P-SF

TERRA BOUND
SOLUTIONS™

Specifications

Materials:

2.38" O.D. x .12" Wall ILG
Steel Tube

3/16" Thick Steel Base Plates

Finish:

Polyester Powder Finish over
In-Line Galvanized Steel Tube.

NOTES:

Dimensions shown in inches [mm].
Anchoring Hardware Not Included.

We have endeavoured to insure that all product specifications listed on this drawing were correct at the time of publication.

We reserve the right to improve, alter, or discontinue specifications without notice.

Rev. 09Feb11

