

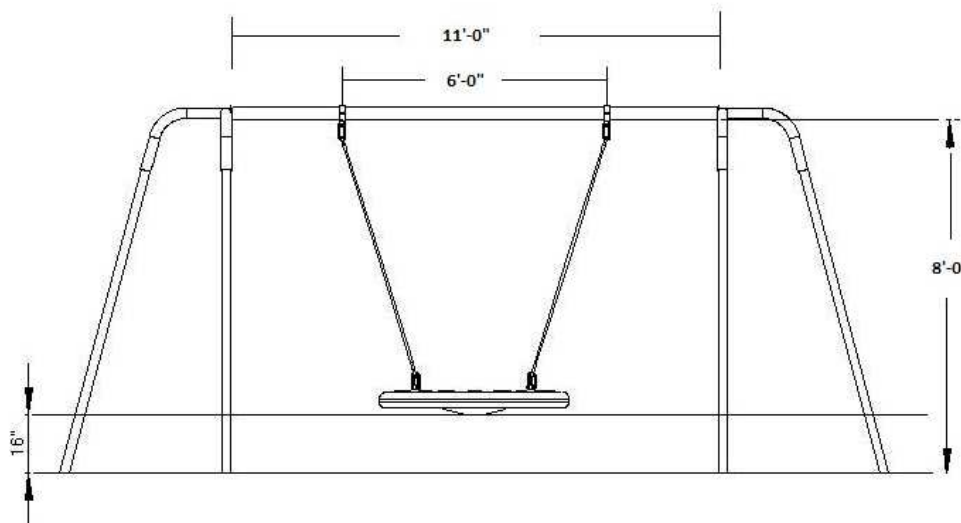
Bird's Nest Seat Tripod Swing

IMPORTANT

PLEASE READ THESE INSTRUCTIONS BEFORE COMMENCING ASSEMBLY. All equipment must be installed in accordance with these instructions. Check your shipment against Bill of Lading and Parts List. Any missing or broken parts must be reported to your distributor within 10 days of receipt of your order. When properly installed and maintained, equipment will give many years of Safe, Trouble-Free use. Periodically check for loose or broken parts. Loose bolts must be tightened and broken parts must be replaced as they can possibly create dangerous situations leading to unnecessary accidents. Resilient Surfacing should be used under all playground equipment.

Appropriate publications, available at no charge, from the Consumer Product Safety Commission, include "A Handbook for Public Playground Safety". You can receive your free copy by calling 1-301-504-7908 or at www.cpsc.gov. You can get a copy of the ASTM Standards for Play Equipment and Safety Surfacing at www.astm.org.

Safety Surfacing – Use of safety surfacing in compliance with ASTM Specification F1292 is required. Contact your surfacing supplier for required surfacing depth for this equipment.



PACKING LIST

| | | |
|--------|---|-------------------------------|
| 1 CTN | | Hardware Bag |
| 1 PIPE | 1 | 583-207 Pipe 3 1/2" OD x 11' |
| 6 PIPE | 1 | 343-210A Pipe 2 3/8" OD x 11' |
| 1 CTN | 1 | SEAT BIRD NEST SEAT ASSY |
| 2 WF | 1 | 583-524 End Fitting |

HARDWARE BAG

| | | |
|---|---------|------------------------------|
| 2 | 585-521 | 3 1/2" Swing Hanger |
| 6 | 196-802 | 1/2" x 1/2" Socket Set Screw |
| 4 | 196-803 | 1/2" x 3/4" Socket Set Screw |
| 1 | 416-400 | 1/4" Socket Key |
| 1 | 805-532 | Warning Label |
| 1 | 805-534 | SportsPlay Label |
| 1 | | Maintenance Checklist |

Bird's Nest Seat Tripod Swing

DETAILS

| | | |
|--|-----------------|-------------------------------------|
| Equipment Dimension | 21'0"L x 10'6"D | |
| Use Zone | 32'0"L x 31'D | |
| User Age | 5 and up | |
| Number of Users | 4 | |
| Minimum Recommended Number of People for Installation | 2 | |
| Installation Time/Total Man Hours | 8/16 | Does not include concrete cure time |
| | | |

MATERIAL SPECIFICATIONS

| | | | |
|-----------------------|--|-----------------|---|
| Vertical posts | 2 3/8" od 13ga Flo-Coat galvanized tube | Hardware | Stainless Steel |
| Top Rail | 3 1/2" od 7ga Flo-Coat galvanized tube | Paint | Electrostatically applied & Oven Cured Powder Coating |
| Fittings | 2 7/8" od 8ga Flo-Coat galvanized painted tube | | |
| Swing Hangers | <u>Standard</u> : stamped steel, split clamp with ductile hanger and bronze bearings. <u>Heavy Duty</u> : galvanized ductile iron with oil impregnated bronze bearings. | | |
| Seats | Swing seats shall be molded plastic with steel plate inserts | | |
| | | | |

GENERAL FOOTING RECOMMENDATIONS

Diameter and depth of footings illustrated are satisfactory in most applications for pipe sizes up to 2 3/8" diameter. Varying soil & climatic conditions may require deeper and heavier footings in some areas. Check local building codes.

Diagram:
Permanent Installation

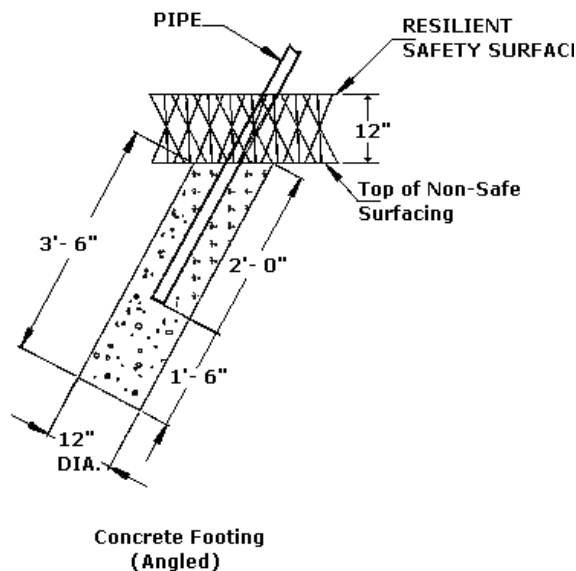
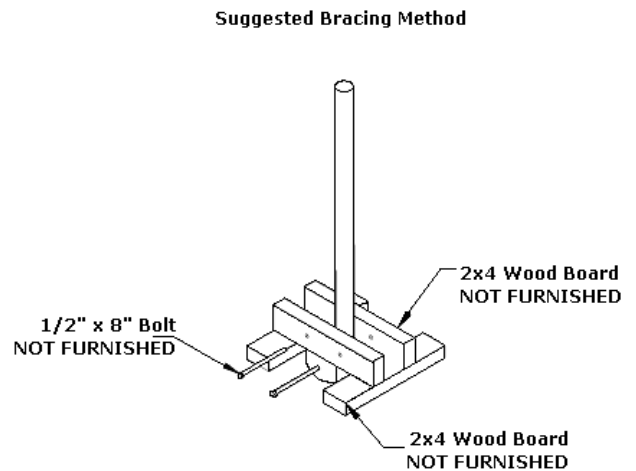


Diagram:
Suggested Bracing Method



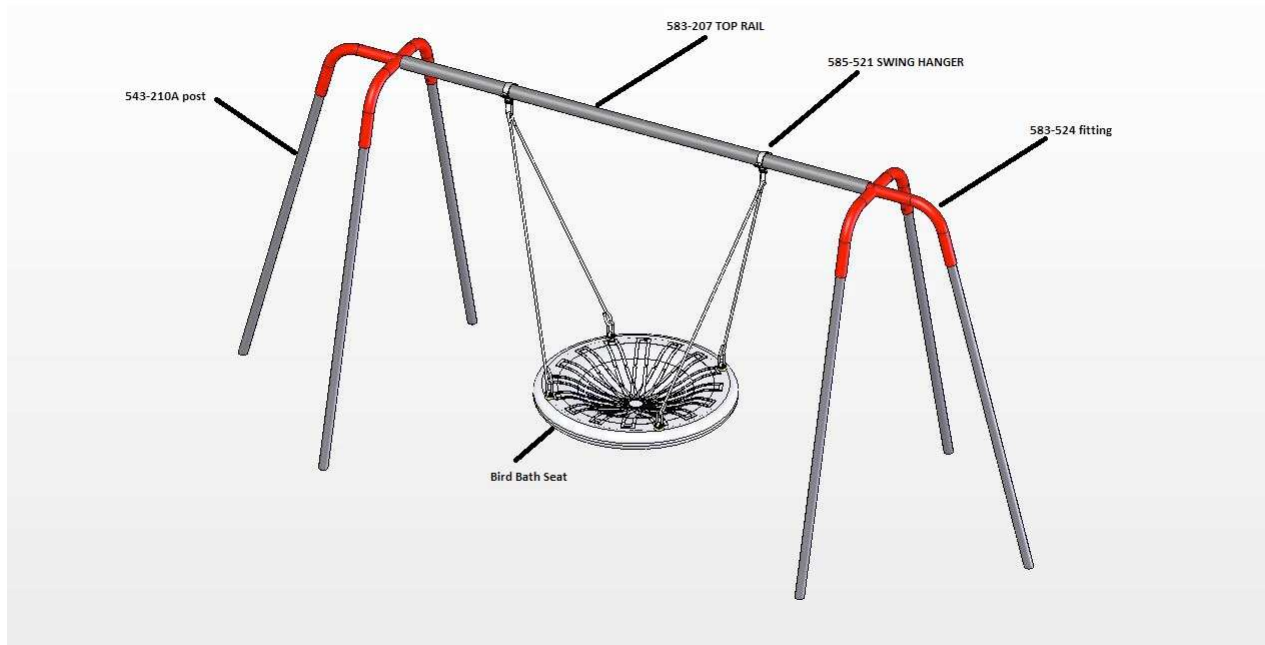
FOOTING

Total footing depth is 3' 6" (at the required angle) plus 12" of surfacing. SportsPlay Equipment manufactures all equipment to include 12" of safety surfacing. If you are using a different type or amount of surfacing you will need to dig your hole deeper so the equipment will be installed at the proper height. For example, if you are only using 4" of surfacing you need to dig your hole 4' 2" deep.

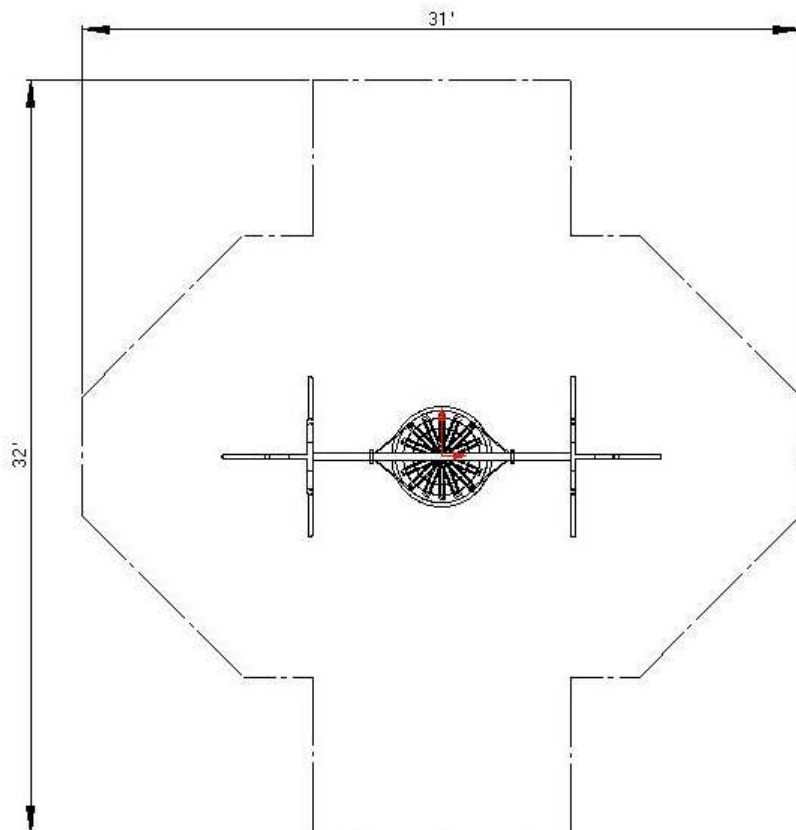
The depth listed above is a general requirement that will work in most locations. Check with local building codes for footing requirements. Remember the overall height needs to be the same so if your building code requires a deeper footing you should dig the hole deeper but the amount of post in the hole should not change.

Bird's Nest Seat Tripod Swing

EQUIPMENT LAYOUT AND PART ID:



USE AREA AND FOOTING LAYOUT:



GENERAL USE/FALL ZONE & FOOTING RECOMMENDATIONS:

Single Axis Swings:

The Use/Fall Zone should extend to the front & rear, a minimum distance of twice the height of the Top Rail above the resilient surfacing material. The Use/Fall Zone to the sides should follow the general recommendations of six feet minimum. This six-foot zone may overlap that of an adjacent swing structure.

Rotating Swings:

The Use/Fall Zone should extend in all directions the length of the swing chain plus six feet. The six-foot minimum fall zone from the supporting structure also applies, and may overlap the six-foot zone of an adjacent swing structure.

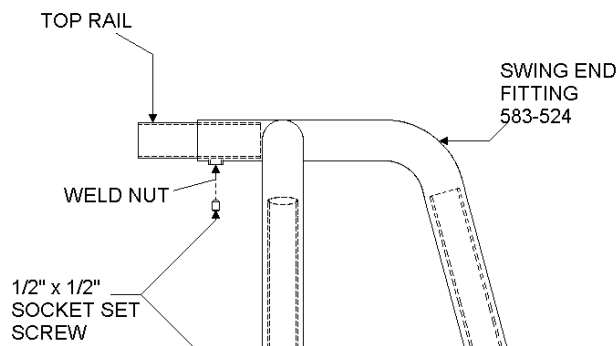
GENERAL MAINTENANCE INSTRUCTIONS:

Check MONTHLY for loose bolts, damaged or broken parts. Tighten and/or replace immediately. On swings and any equipment that uses S-hooks and/or Swing Hangers check the bearing surfaces for wear. Replace any parts that show a reduction of 25% from the original size.

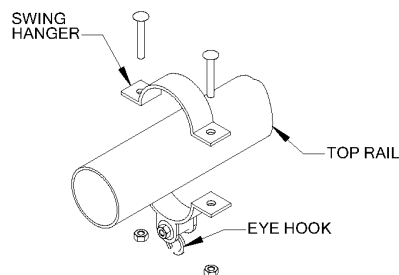
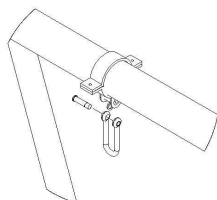
ASSEMBLY AND INSTALLATION:

NOTE: All threaded ends of bolts protruding beyond nuts must be cut off and/or peened to eliminate sharp edges. No more than two threads should extend beyond face of nut. All washers, "T" nuts and other fastener hardware used on round pipe or tubing must be hammered down to conform to the curved underlying surface to eliminate catch points. DO NOT tighten nuts more than hand-tight until entire assembly is completed.

STEP #1: Assemble swing frame on side, on ground. If more than one section, assemble section by section. Layout parts so that when frame is erected, legs will be in approximately correct position.



Bird's Nest Seat Tripod Swing



- STEP #2: Assemble swing hangers on top rail following spacing on page 1 diagram.
- STEP #3: Footing holes may be marked out and dug from footing layout, however, it is easier to position swing in proper location, mark holes, move swing aside, and dig holes.
- STEP #4 Stand swing upright onto legs and brace in footing holes so that 2' – 3' of pipe will be under intended level of resilient surfacing and top rail is at desired height.
- STEP #5: Plumb and level entire unit. Tighten set screws by using short length of pipe on end of socket key to add leverage.
- STEP #6: Pour concrete. Crown surface. Wait 48 hours before removing braces and using equipment.
- STEP #7: Attach assembled seat to swing hangers by attaching the “D” shackle the pendulums on the swing hangers.
- STEP #8: Attach warning label and Manufacturer’s Identification label to a clean surface. The labels should be attached in a location where they are clearly visible and legible and away from normal hand and foot placement areas. The labels must be replaced if they become illegible, destroyed or removed. Contact your SportsPlay distributor for replacements.