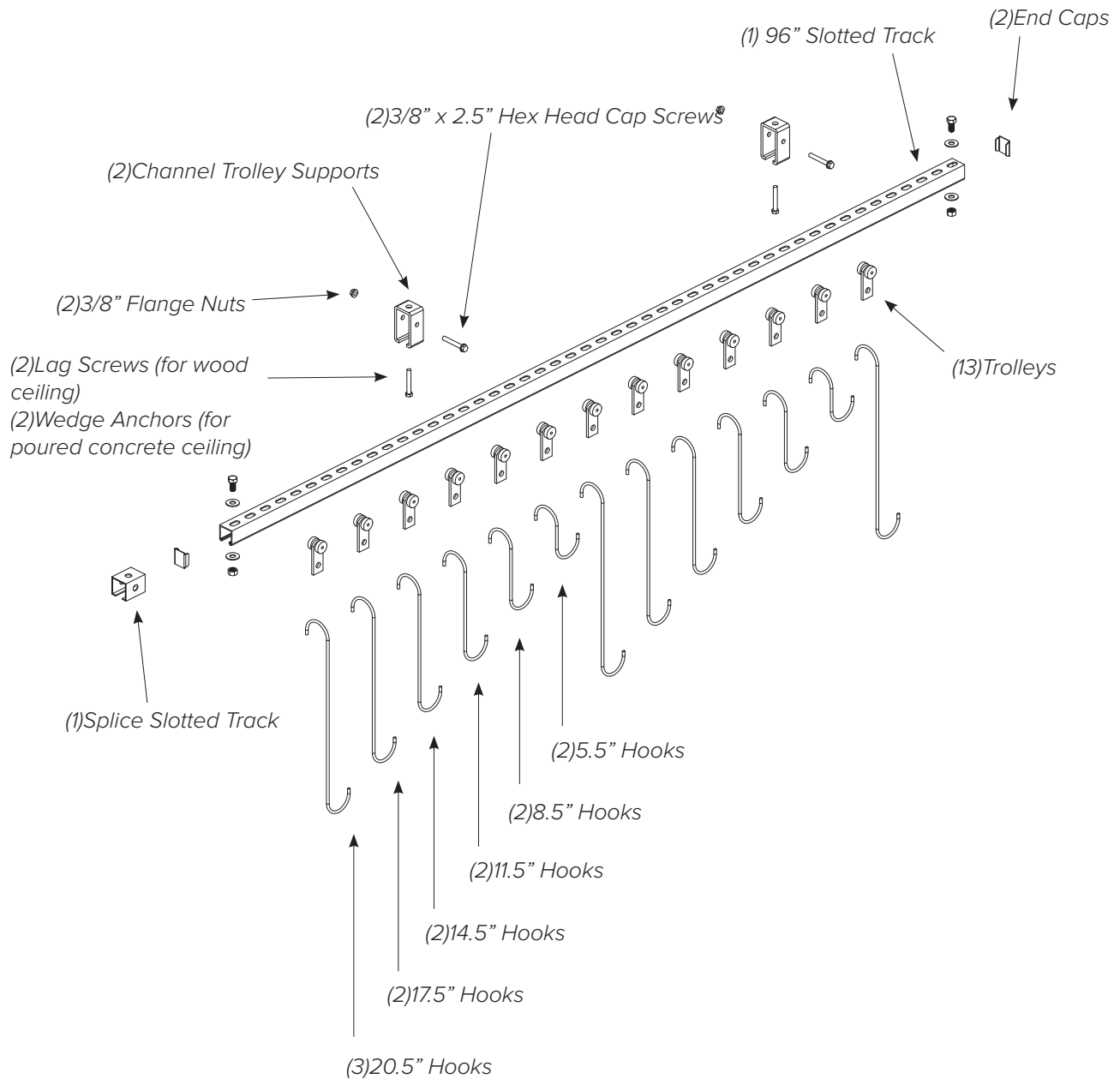


# TRACK RACK

## Installation Instructions – Parts List



## TRACK RACK

# Installation Instructions – Ceiling Mount

---

### TOOLS NEEDED

9/16" Wrench/Socket  
3/4" Wrench/Socket  
1/4" Drill Bit or 3/8" Masonry Drill Bit  
(depending on anchor type)  
Tape Measure  
Drill (Hammer Drill Recommended)  
Hammer  
Level  
Saw for cutting track

---

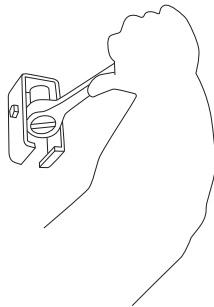
### RECOMMENDED BASE MATERIAL

Note: if installing a ceiling mounted Track Rack, continue with the assembly by following the directions below. If installing a wall mounted or floor mounted model, assemble those units according to their instructions first.

### INSTALLATION STEPS

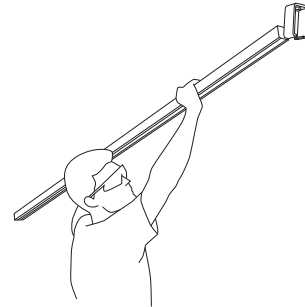
Before installing: Make sure the ceiling is strong enough to accommodate the rack fully loaded with bikes. Compare parts shipped with rack to the parts list on the previous page. Contact Dero if any parts are missing. Make sure the 96" Slotted Track will fit in your space. If necessary, cut the Slotted Track to the required length.

**1**



Mount Channel Trolley Supports in ceiling with appropriate anchors so that the centers of the brackets are 2 feet from each end of the 96" Slotted Track and 4 feet apart from each other.

**2**



Slide 96" Slotted Track through the Channel Trolley Supports so that the centers of the brackets are 2 feet from the end of the Slotted Track.

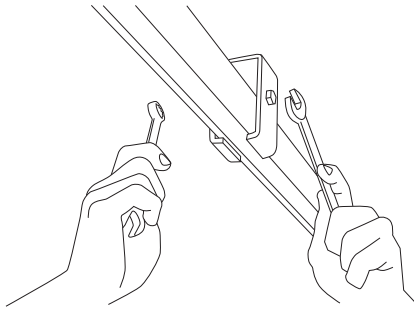


## TRACK RACK

# Installation Instructions – Ceiling Mount

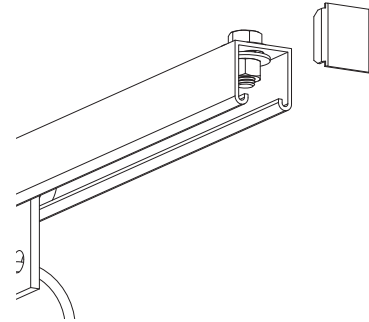
---

**3**



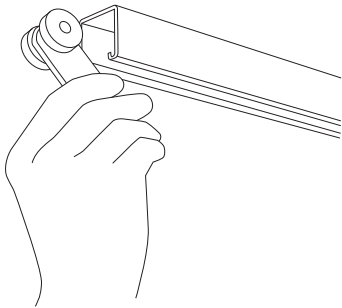
Secure the Channel Trolley Supports onto the 96" Slotted Track by tightening the Hex Head Cap Screws and Flange Nuts through the holes in the Channel Trolley Supports.

**4**



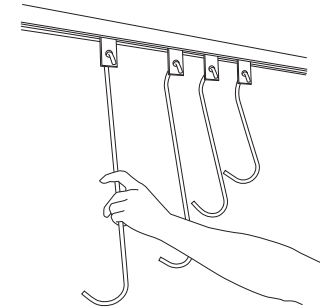
Apply hex head cap screw, washers and nut into last hole at end of the 96" Slotted Track and hammer in End Cap.

**5**



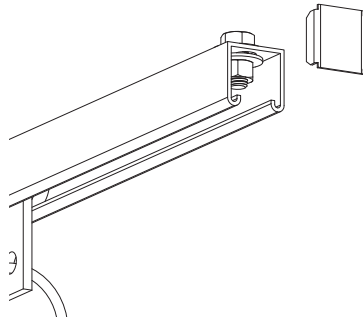
Insert the Trolleys into the open end of the 96" Slotted Track.

**6**



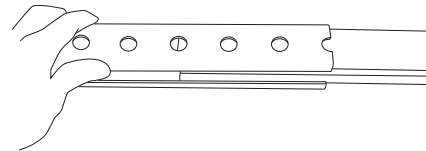
Insert the hooks through the holes in the tabs that are hanging down from the Trolleys. Each hook length should be at least 3" different than the neighboring hook.

**7**



If no more Track Racks are going to be spliced together, apply hex head cap screw, washers, nut and End Cap in the open end of the Slotted Track to keep trolleys from sliding out.

**8**



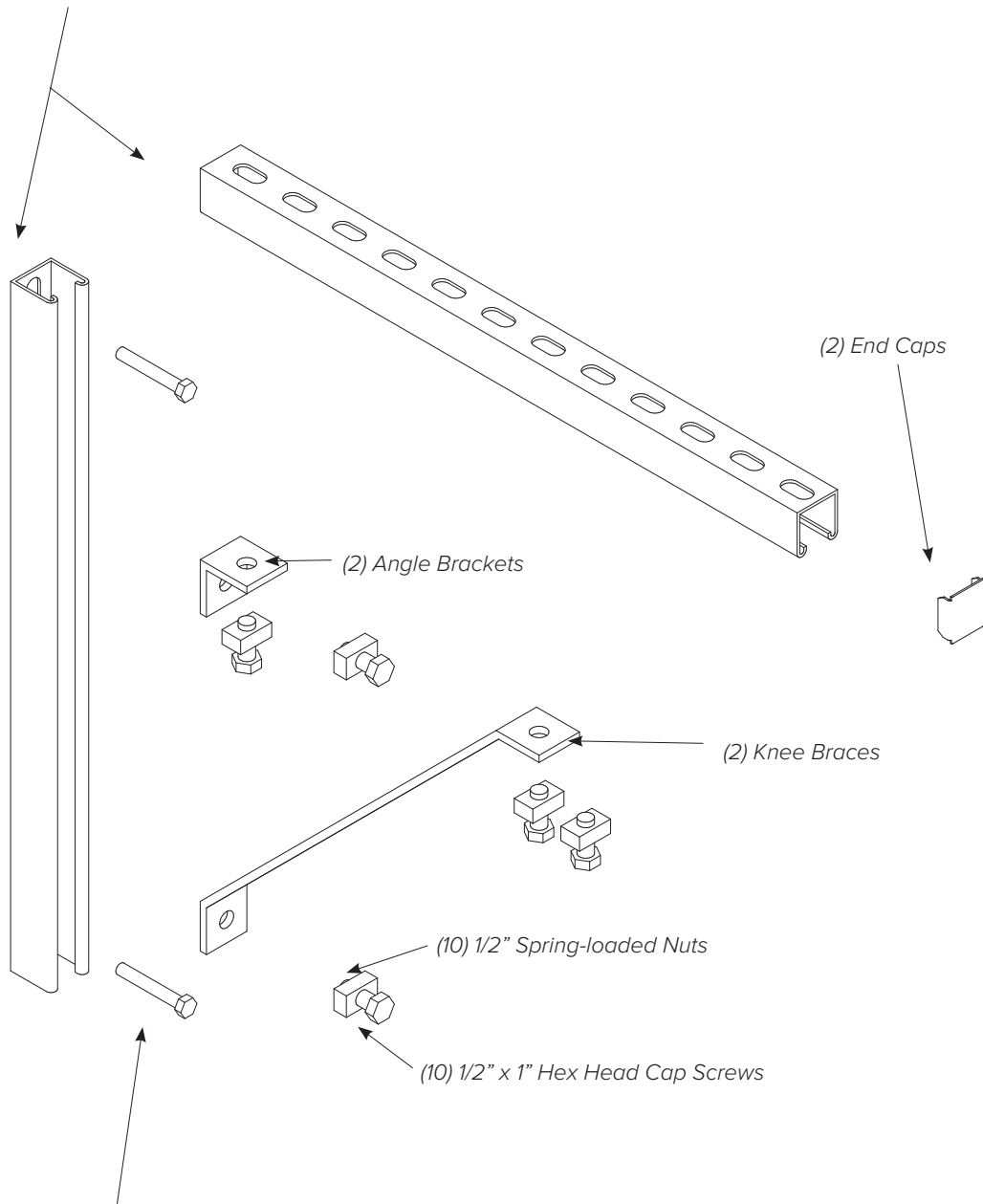
If splicing an additional length of track, slide the Splice Slotted Track over the last 6" of the 96" Slotted Track.

**TERRA BOUND**  
SOLUTIONS™

# TRACK RACK

## Wall Mount Parts List

(4) 24" Slotted Tracks



(4) Lag Screws (for wood stud walls)  
(4) Sleeve Anchors (for concrete block walls)  
(4) Wedge Anchors (for poured concrete walls)

**TERRA BOUND**  
SOLUTIONS™

20020 Hickory Twig Way | Spring, TX 77388 | Toll Free: 1-877-857-2915

## TRACK RACK

# Installation Instructions – Wall Mount

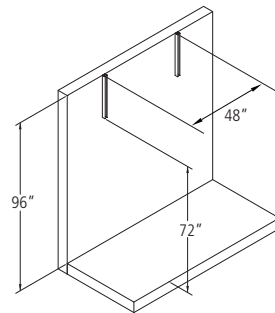
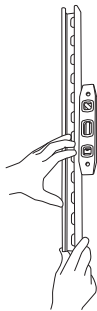
### TOOLS NEEDED

9/16" Wrench/Socket  
3/4" Wrench/Socket  
1/4" Drill Bit or 3/8" Masonry Drill Bit  
(depending on anchor type)  
Tape Measure  
Drill (Hammer Drill Recommended)  
Hammer  
Level  
Saw for cutting rack

### BEFORE INSTALLING

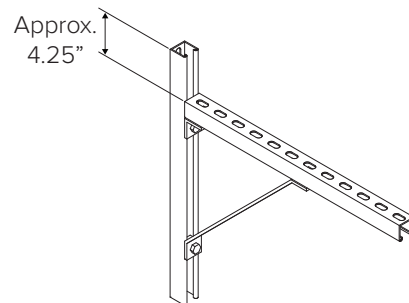
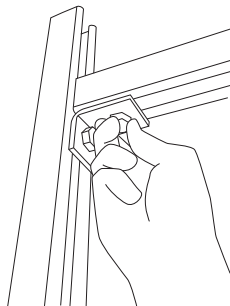
Solid concrete is the best base material. Brick, block, and wood stud walls may be acceptable. Metal stud walls are not an acceptable material for installation. Before installing make sure nothing is behind the wall that could be damaged by drilling and that the base material is strong enough to support a fully loaded rack. Tell your Dero representative what kind of base material you are installing the Track Rack into so the proper anchors can be shipped with the rack.

# 1



Mount 24" Slotted Tracks vertically to the wall with the appropriate anchors. Use a level for greatest accuracy. The bottom edge of the Slotted Track should be approximately 72" off the floor. The Slotted Tracks should be 4' apart from each other, and the end Slotted Tracks should be 2' from the eventual position of the end of the Trolley track.

# 2



Mount the remaining 24" Slotted Tracks horizontally and protruding from the wall so that the slotted surface of the Slotted Track is 4.25" below the top edge of the vertical 24" Slotted Track. Use the Knee Braces, Angle Brackets, and the Spring-loaded Nuts and Hex Head Cap Screws to secure the horizontal Slotted Track in place.

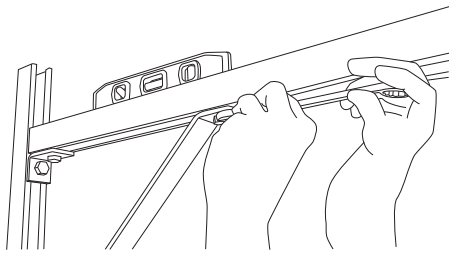
**TERRA BOUND**  
SOLUTIONS™

## TRACK RACK

# Installation Instructions – Wall Mount

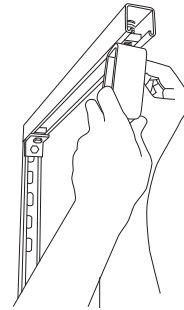
---

**3**



Make sure the horizontal Slotted Track is level. Adjust if necessary.

**4**




Attach the Track Rack to the Wall Mount assemblies by securing the Channel Trolley Supports to the horizontal 24" Slotted Track with the remaining Spring-loaded Nut and Hex Head Cap Screw. The edge of the Slotted Track Mounting Bracket should be flush with the edge of the 24" Slotted Track.

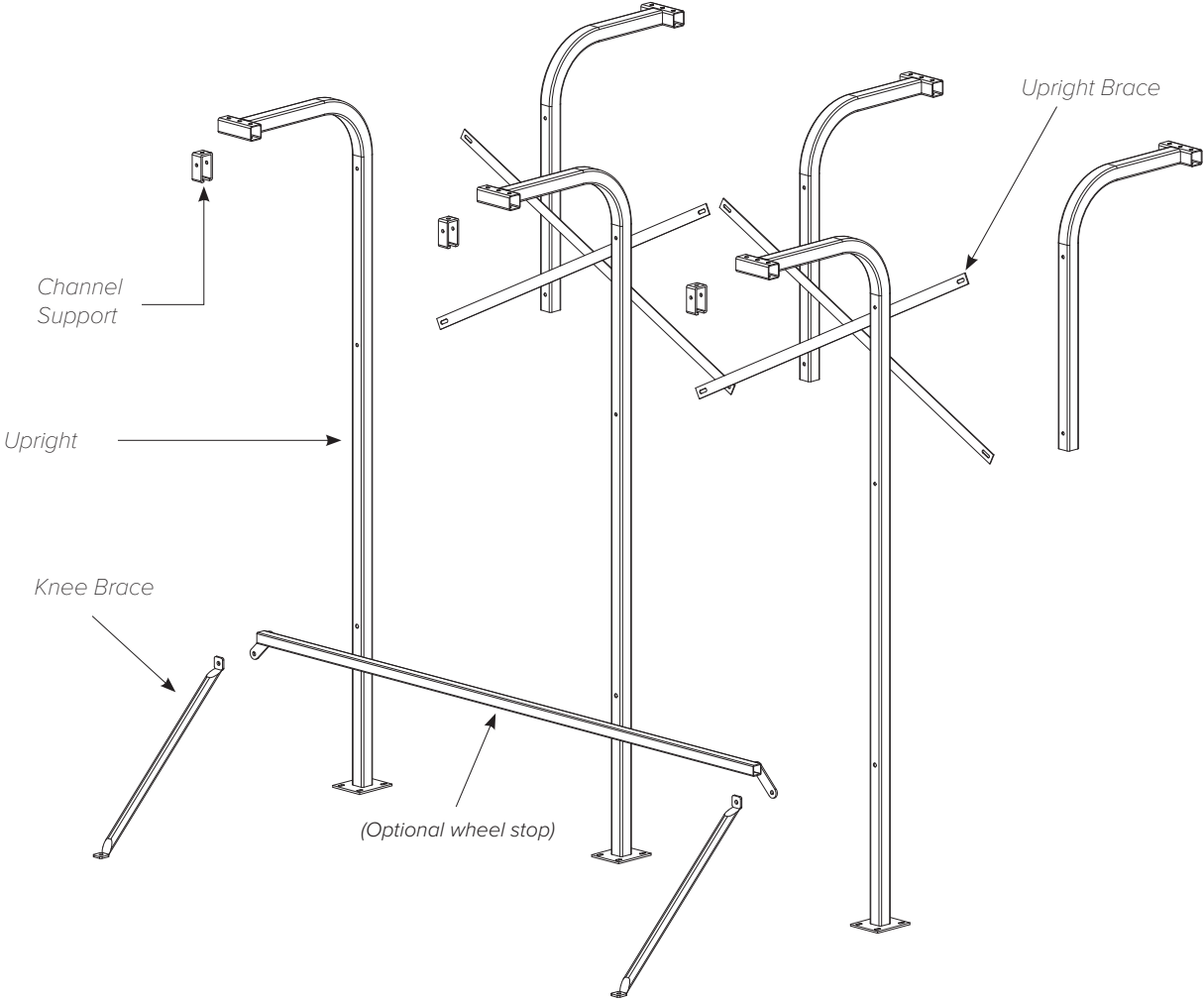
**5**

Follow the installation instructions for the basic Track Rack unit to complete the assembly.

# TRACK RACK

## Floor Mount Parts List

 *The floor mounted Track Rack MUST be anchored to the floor. This is NOT a freestanding unit*



## TRACK RACK

# Installation Instructions – Floor Mount

---

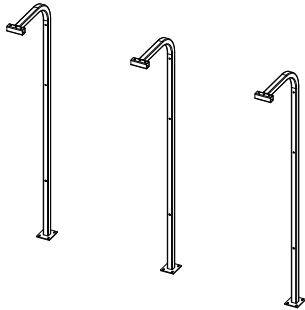
### TOOLS NEEDED

9/16" wrench/socket  
3/4" wrench/socket, qty. 2  
3/8" masonry bit  
Tape measure  
Drill (hammer drill recommended)  
Hammer  
Level

### INSTALLATION STEPS

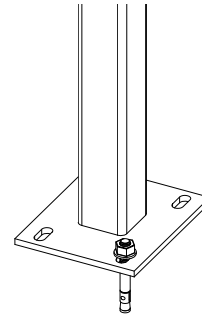
Before installing: Make sure the floor is strong enough to accommodate the rack fully loaded with bikes. Compare parts shipped with rack to parts list. Call Dero if any parts are missing.

**1**



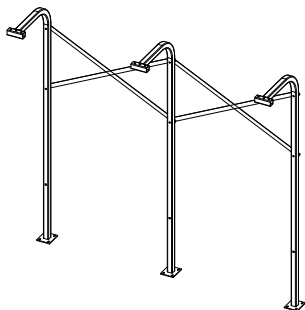
Place the Uprights 48" apart from each other. See your rack layout for location and numbers.

**2**

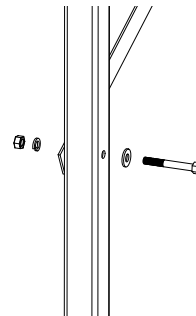


Anchor each Upright by drilling 3/8" holes and fastening with wedge anchors.

**3a**



A) For single-sided units, fasten the Upright Braces to the Uprights with 3/8" x 3" bolts, 3/8" washers, 3/8" lock washers, and 3/8" nuts.



**TERRA BOUND**  
SOLUTIONS™

20020 Hickory Twig Way | Spring, TX 77388 | Toll Free: 1-877-857-2915

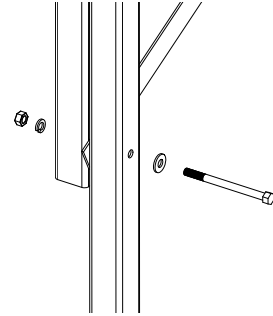
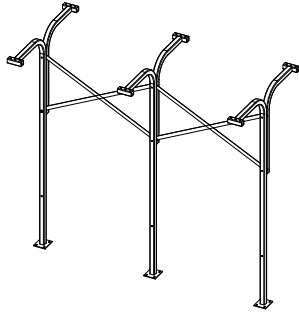


## TRACK RACK

# Installation Instructions – Floor Mount

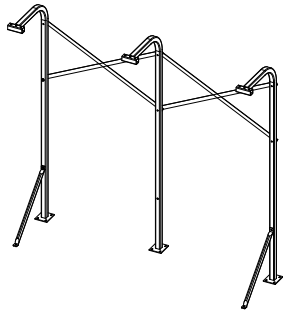
---

### 3b



B) For double-sided units, fasten the Double-sided Uprights and Upright Braces to the Uprights with 3/8" x 3" bolts, 3/8" washers, 3/8" lock washers, and 3/8" nuts.

### 4



A) For single-sided units, attach Knee Braces to the first Upright and then every other Upright with 3/8" x 3" bolts, 3/8" washers, 3/8" lock washers, and 3/8" nuts. Anchor each Knee Brace by drilling a 3/8" hole and fastening with a wedge anchor.

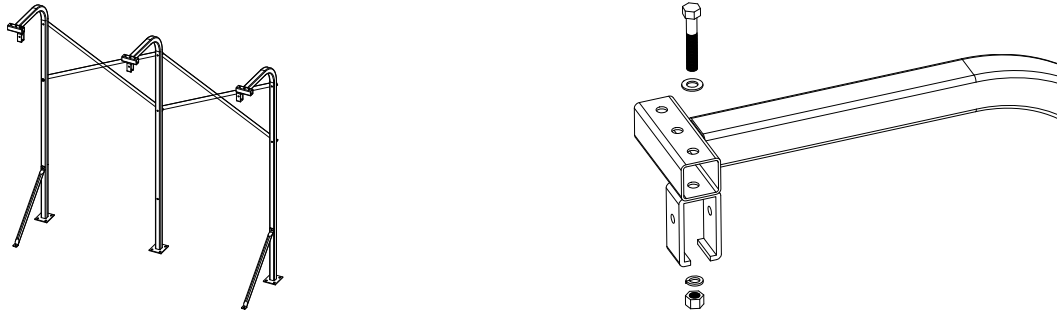
B) For double-sided units, attach (2) Knee Braces to the first Upright and then every other Upright with 3/8" x 3" bolts, 3/8" washers, 3/8" lock washers, and 3/8" nuts. Anchor each Knee Brace by drilling a 3/8" hole and fastening with a wedge anchor.

## TRACK RACK

# Installation Instructions – Floor Mount

---

# 5



Fasten the Channel Supports to the uprights with  $\frac{1}{2}$ " x 3" bolts,  $\frac{1}{2}$ " washers,  $\frac{1}{2}$ " lock washers, and  $\frac{1}{2}$ " nuts.

Use the following Channel support mounting locations:

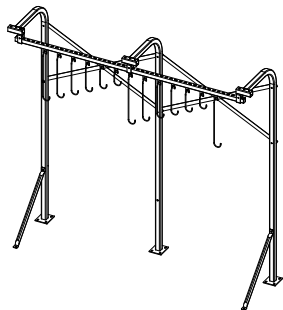
1st Upright, use right hole.

2nd Upright, use center hole.

3rd Upright, use left hole.

For modular units each 3rd Upright will have a Channel Support at the left and right holes.

# 6



Insert the Track Rack or Bike File assembly into the Channel Supports and secure. See Track Rack or Bike File instructions for more detail.