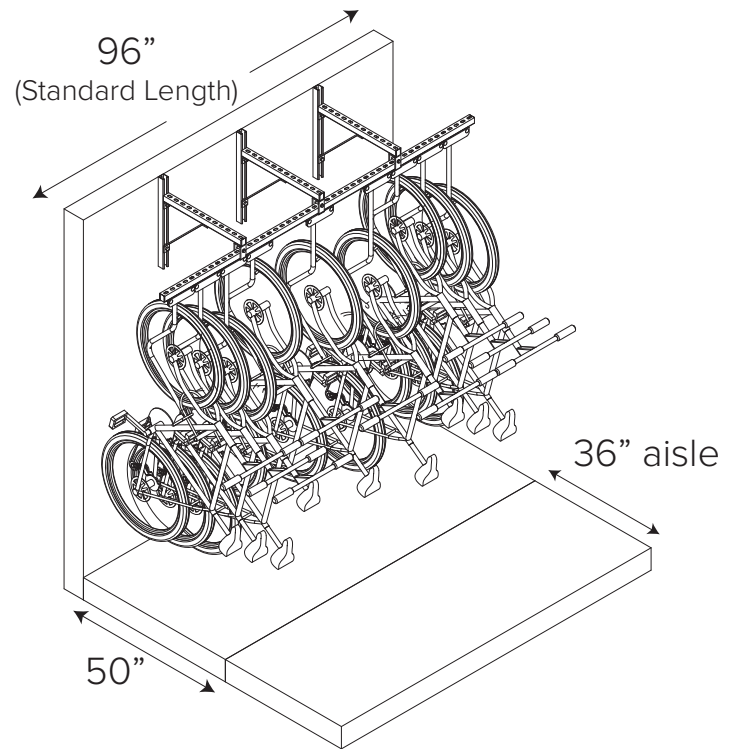


BIKE FILE

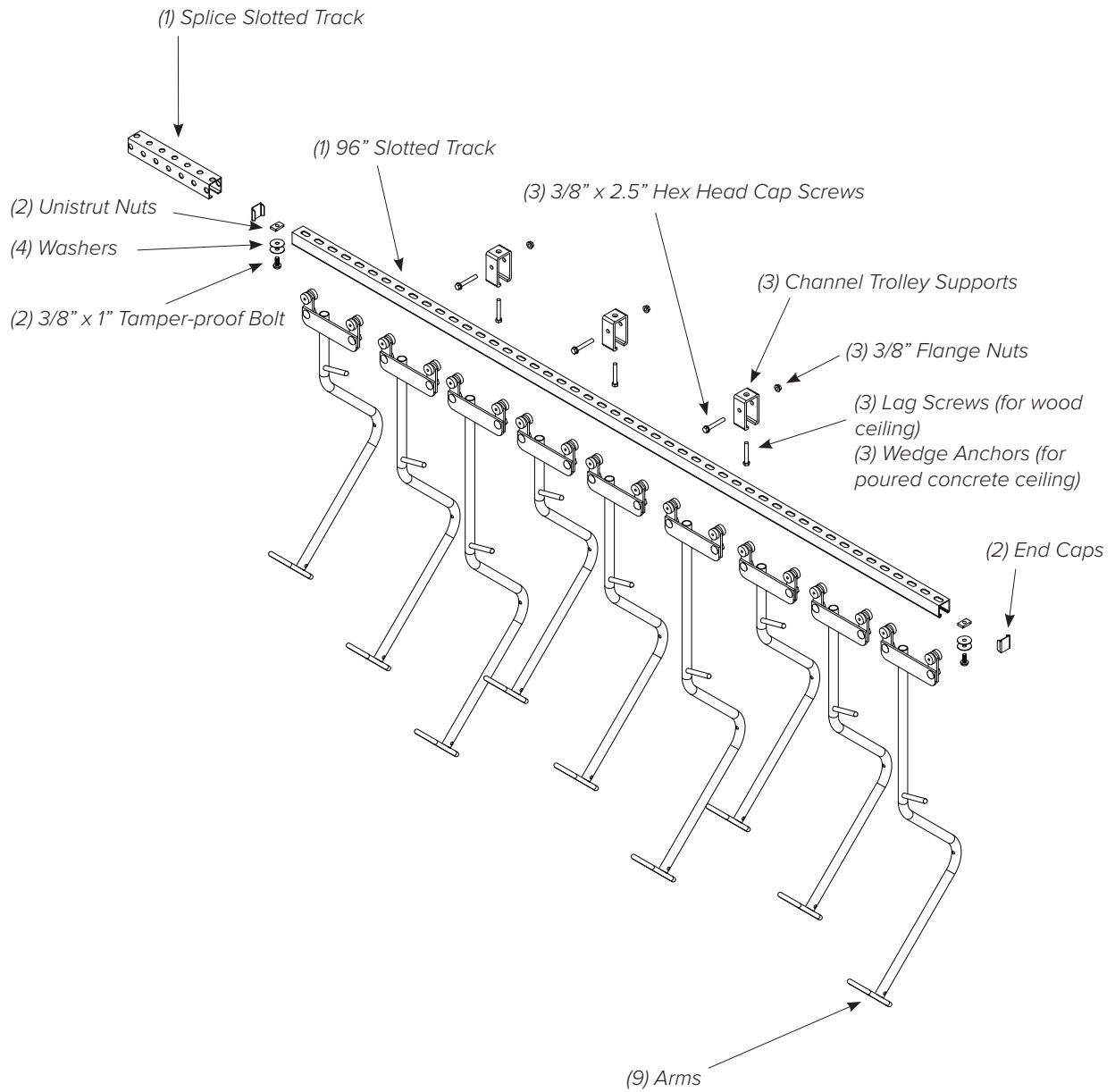
Setbacks

Bike Files may be lined up end to end to fill the available space. A 36" aisle should be left between the ends of bikes in racks facing one another.



BIKE FILE

Installation Instructions – Ceiling Mount Parts List



BIKE FILE

Installation Instructions – Ceiling Mount

TOOLS NEEDED

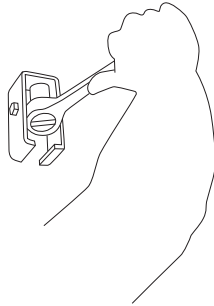
9/16" Wrench/Socket
3/4" Wrench/Socket
1/4" Drill Bit or 3/8" Masonry Drill Bit
(depending on anchor type)
Tape Measure
Drill (Hammer Drill Recommended)
Hammer
Level
Saw for cutting track

RECOMMENDED BASE MATERIAL

Note: if installing a ceiling mounted Bike File, continue with the assembly by following the directions below. If installing a wall mounted or floor mounted model, assemble those units according to their instructions first.

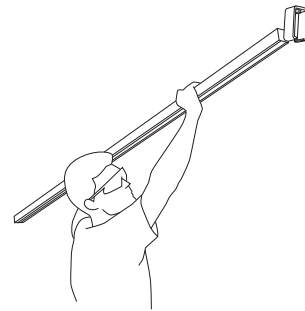
Before installing: Make sure the ceiling is strong enough to accommodate the rack fully loaded with bikes. Compare parts shipped with rack to the parts list on the previous page. Contact Dero if any parts are missing. Make sure the 96" Slotted Track will fit in your space. If necessary, cut the Slotted Track to the required length.

1



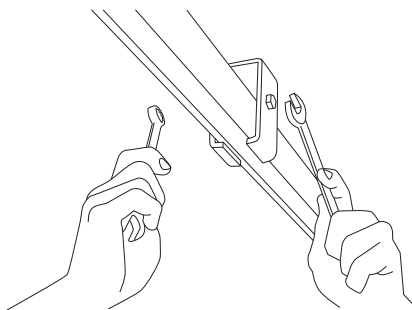
Mount Channel Trolley Supports in ceiling with appropriate anchors so that the centers of the brackets are 19" from each end of the 96" Slotted Track and 32" apart from each other.

2



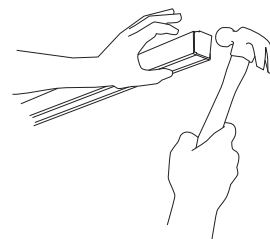
Slide 96" Slotted Track through the Channel Trolley Supports so that the centers of the brackets are 19" from the end of the Slotted Track.

3



Secure the Channel Trolley Supports onto the 96" Slotted Track by tightening the Hex Head Cap Screws and Flange Nuts through the holes in the Channel Trolley Supports.

4

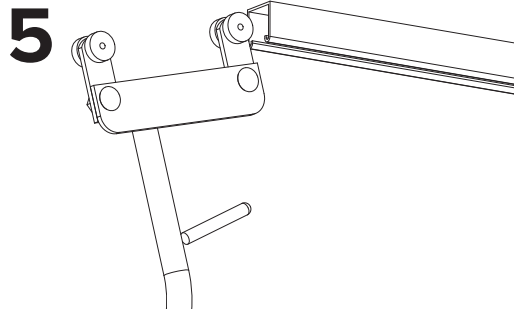


Insert a 1/2" Carriage Bolt into the last slot and fasten 3 Washers and a Tamperproof Nut. Finish by hammering in an End Cap.

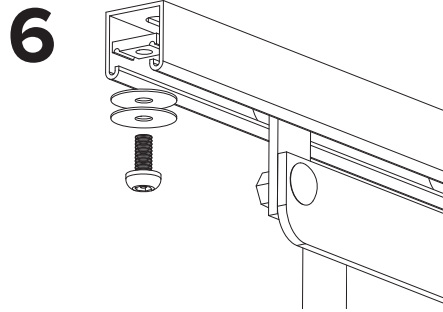
TERRA BOUND
SOLUTIONS™

BIKE FILE

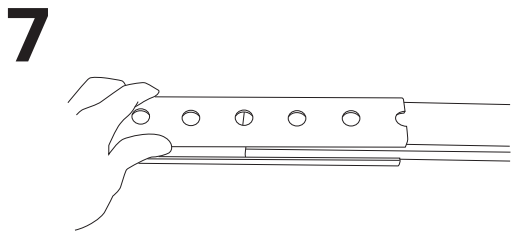
Installation Instructions – Ceiling Mount



5 Insert the Trolleys into the open end of the 96" Slotted Track.



6 If no more Bike Files are going to be spliced together, insert a 3/8" Unistrut nut into the end of the channel and affix with 2 large washers and tamper-proof bolt. Finish by hammering in an End Cap.

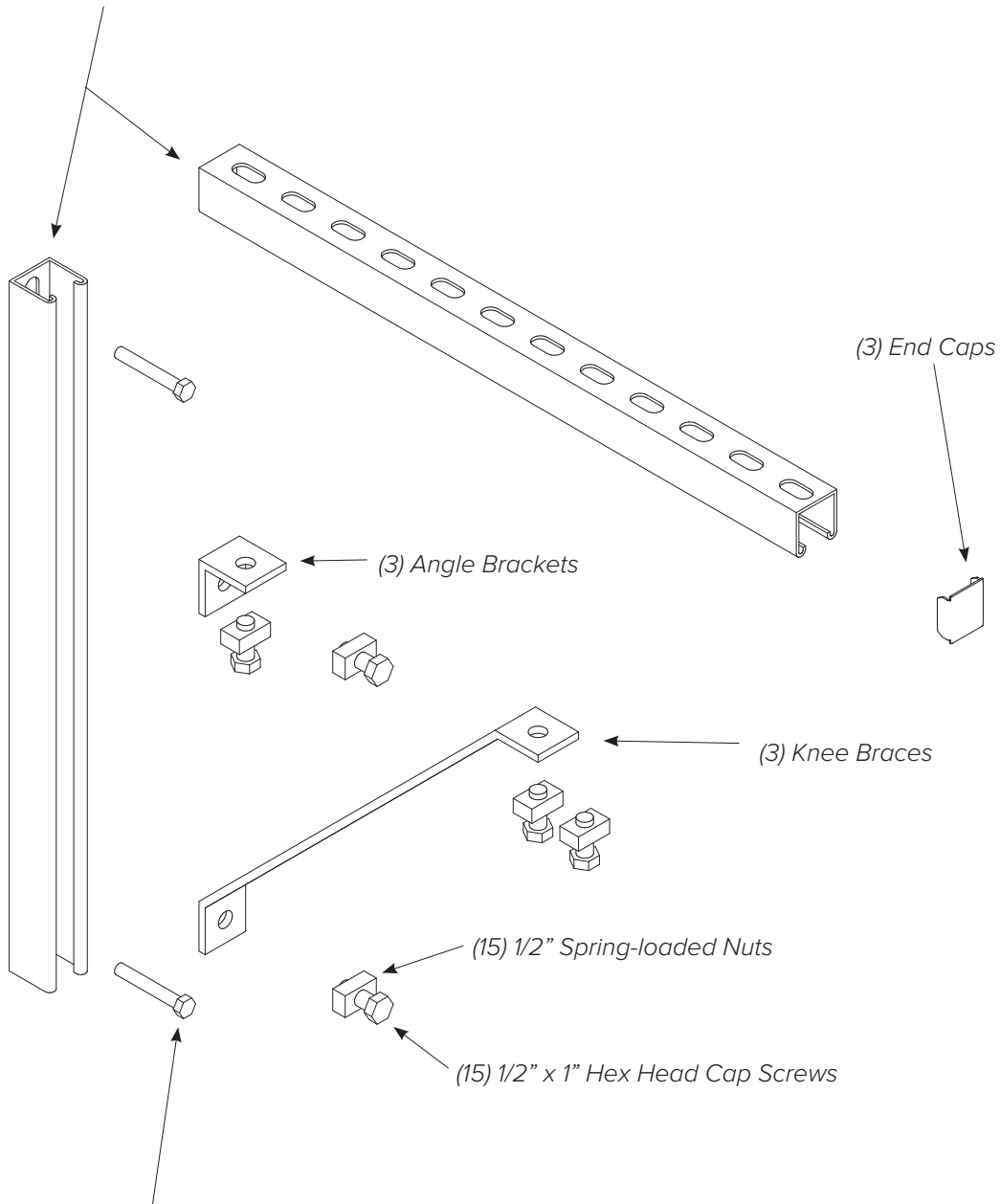


7 If splicing an additional length of track, slide the Splice Slotted Track over the last 6" of the 96" Slotted Track.

BIKE FILE

Installation Instructions – Wall Mount Parts List

(6) 24" Slotted Tracks



(6) Lag Screws (for wood stud walls)
(6) Sleeve Anchors (for concrete block walls)
(6) Wedge Anchors (for poured concrete walls)



BIKE FILE

Installation Instructions – Wall Mount

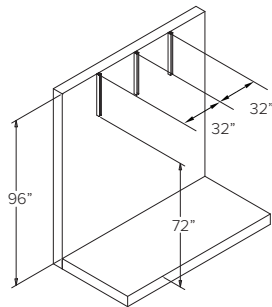
TOOLS NEEDED

9/16" Wrench/Socket
3/4" Wrench/Socket
1/4" Drill Bit or 3/8" Masonry Drill Bit
(depending on anchor type)
Tape Measure
Drill (Hammer Drill Recommended)
Hammer
Level
Saw for cutting rack

RECOMMENDED BASE MATERIAL

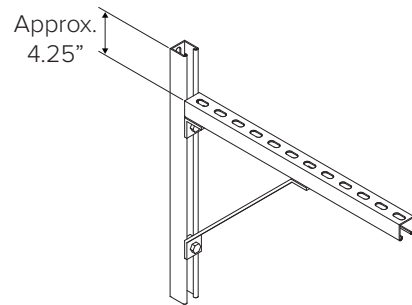
Before installing: Make sure the wall is strong enough to accommodate the rack fully loaded with bikes. Compare parts shipped with rack to parts list. Call Dero if any parts are missing.

1



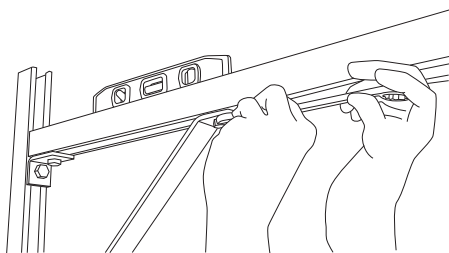
Mount 24" Slotted Tracks vertically to the wall with the appropriate anchors. Use a level for greatest accuracy. The bottom edge of the Slotted Track should be approximately 72" off the floor. The Slotted Tracks should be 32" apart from each other, and the end Slotted Tracks should be 18" from the eventual position of the end of the Trolley track.

2



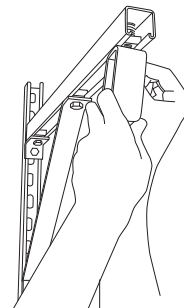
Mount the remaining 24" Slotted Tracks horizontally and protruding from the wall so that the slotted surface of the Slotted Track is 4.25" below the top edge of the vertical 24" Slotted Track. Use the Knee Braces, Angle Brackets, and the Spring-loaded Nuts and Hex Head Cap Screws to secure the horizontal Slotted Track in place.

3



Make sure the horizontal Slotted Track is level. Adjust if necessary.

4



Attach the Bike File to the Wall Mount assemblies by securing the Channel Trolley Supports to the horizontal 24" Slotted Track with the remaining Spring-loaded Nut and Hex Head Cap Screw. The edge of the Slotted Track Mounting Bracket should be flush with the edge of the 24" Slotted Track.

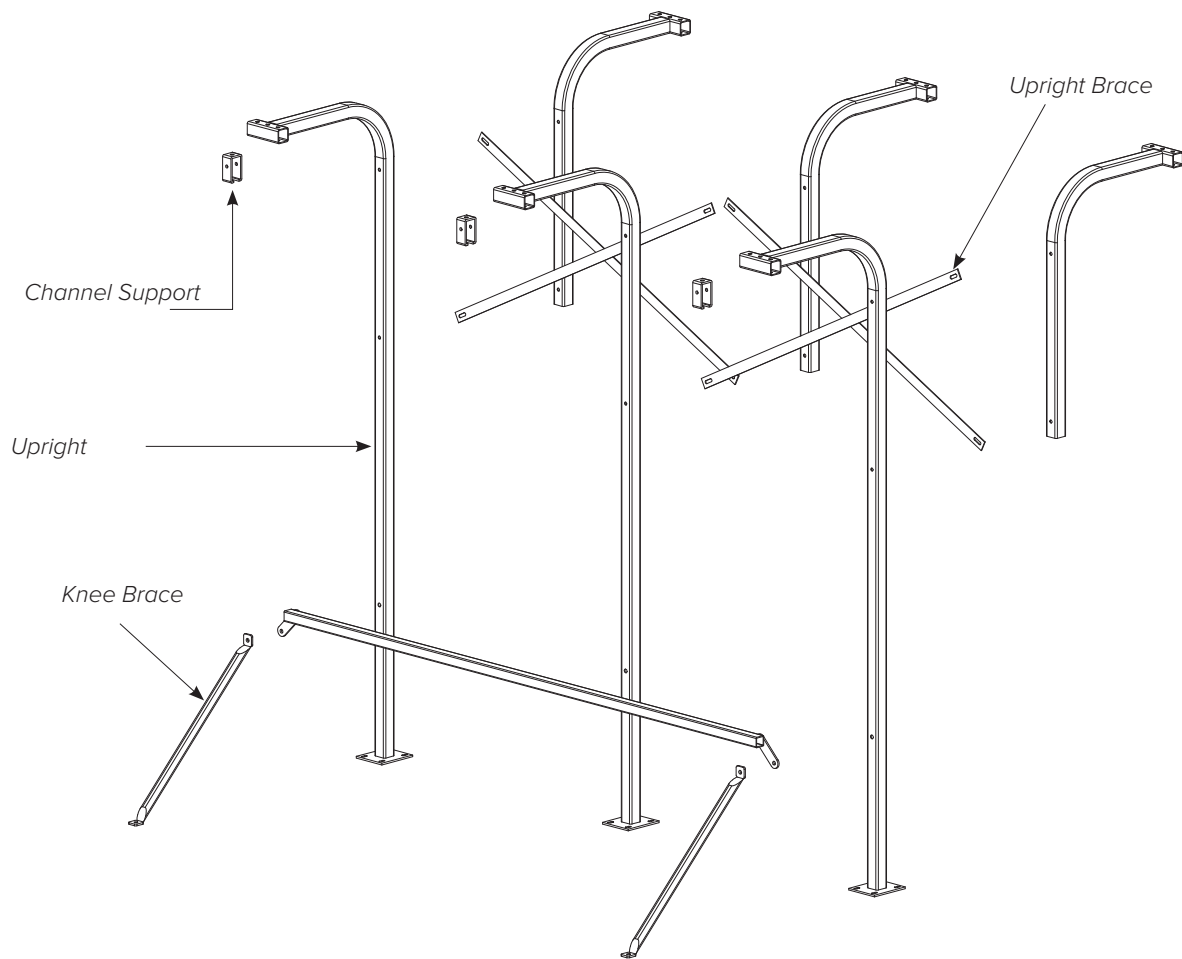
TERRA BOUND
SOLUTIONS™

BIKE FILE

Installation Instructions – Floor Mount Parts List



The floor mounted Bike File **MUST** be anchored to the floor. This is **NOT** a freestanding unit



TERRA BOUND
SOLUTIONS™

20020 Hickory Twig Way | Spring, TX 77388 | Toll Free: 1-877-857-2915

BIKE FILE

Installation Instructions – Floor Mount

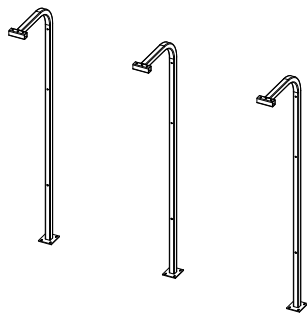
TOOLS NEEDED

9/16" wrench/socket
3/4" wrench/socket, qty. 2
3/8" masonry bit
Tape measure
Drill (hammer drill recommended)
Hammer
Level

INSTALLATION NOTES

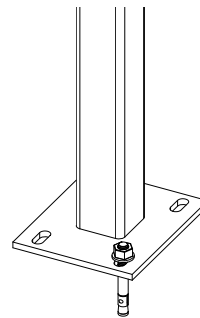
Before installing: Make sure the floor is strong enough to accommodate the rack fully loaded with bikes. Compare parts shipped with rack to parts list. Call Dero if any parts are missing.

1



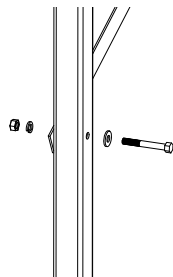
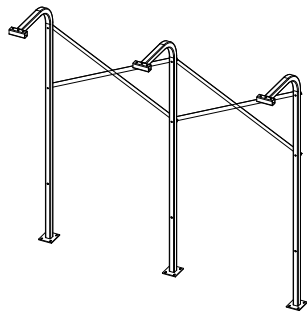
Place the Uprights 48" apart from each other. See your rack layout for location and numbers.

2



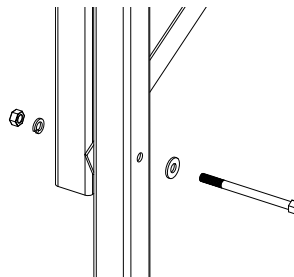
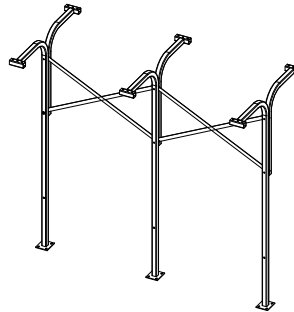
Anchor each Upright by drilling 3/8" holes and fastening with wedge anchors.

3a



A) For single-sided units, fasten the Upright Braces to the Uprights with 3/8" x 3" bolts, 3/8" washers, 3/8" lock washers, and 3/8" nuts.

3b



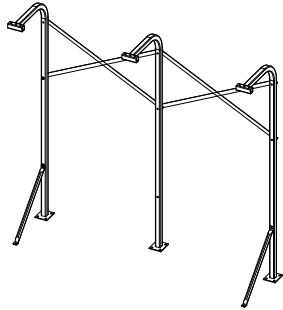
B) For double-sided units, fasten the Double-sided Uprights and Upright Braces to the Uprights with 3/8" x 3" bolts, 3/8" washers, 3/8" lock washers, and 3/8" nuts.

TERRA BOUND
SOLUTIONS™

BIKE FILE

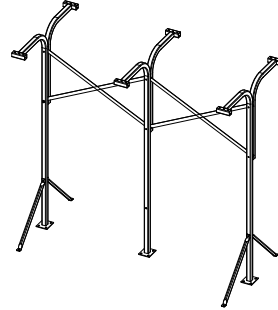
Installation Instructions

4a



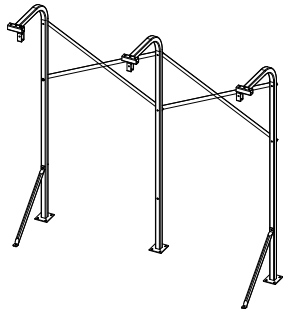
A) For single-sided units, attach Knee Braces to the first Upright and then every other Upright with 3/8" x 3" bolts, 3/8" washers, 3/8" lock washers, and 3/8" nuts. Anchor each Knee Brace by drilling a 3/8" hole and fastening with a wedge anchor.

4b

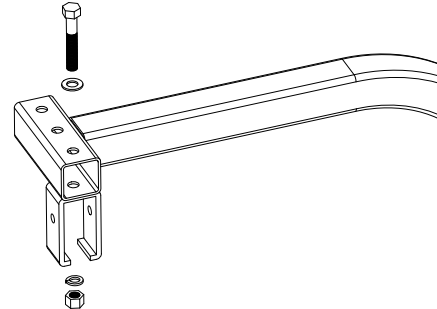


B) For double-sided units, attach (2) Knee Braces to the first Upright and then every other Upright with 3/8" x 3" bolts, 3/8" washers, 3/8" lock washers, and 3/8" nuts. Anchor each Knee Brace by drilling a 3/8" hole and fastening with a wedge anchor.

5



Fasten the Channel Supports to the uprights with 1/2" x 3" bolts, 1/2" washers, 1/2" lock washers, and 1/2" nuts.



Use the following Channel support mounting locations:

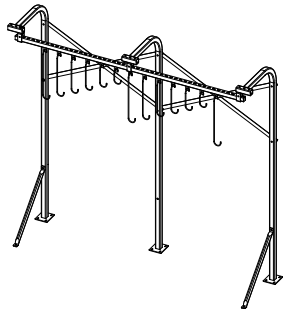
1st Upright, use right hole.

2nd Upright, use center hole.

3rd Upright, use left hole.

For modular units each 3rd Upright will have a Channel Support at the left and right holes.

6



Insert the Track Rack or Bike File assembly into the Channel Supports and secure. See Track Rack or Bike File instructions for more detail.

TERRA BOUND
SOLUTIONS™