

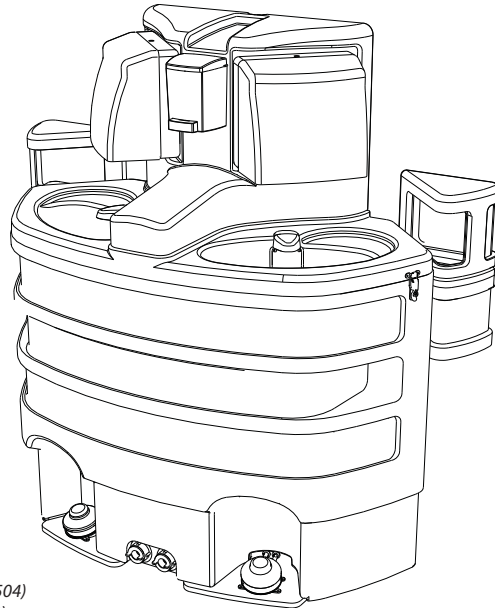
# SK3 Applause™ 1000/2000 Hand Wash Station Operations & Maintenance Guide

## SPECIFICATIONS

Dimension	Imperial	Metric
Height	47.5 in	121 cm
Width	50.5 in	128 cm
Depth	21.7 in	55 cm
Weight	80 lb	36 kg
Fresh Water Capacity (Vinyl Liner)	60 gal	227 L
(Hard Liner)	33 gal	125 L
Gray Water Capacity (Vinyl Liner)	60 gal	227 L
(Hard Liner)	34 gal	129 L
Number of Single Dispenses (Vinyl Liner)	3840	3840
(Hard Liner)	2112	2112
Pump Capacity (per stroke)	2 fl oz	59.14 ml
Paper Towel Capacity	1000 (4 pks-Georgia Pacific 23504) or (2-rolls Baywest Ecosoft 46200)	
Soap Dispenser Capacity	30 fl oz	887 ml

### Color Options

- Granite Gray
- Tan



All materials, including resin, pigments and additives used to make the plastic components as well as the plumbing components that come in contact with the fresh water are U.S. FDA food grade compliant.

**NOTE: All dimensions are subject to change due to environmental factors.**

## General Product Overview

### SK3-1000 - Applause Sink with Vinyl Inner Liner

This self-contained, stand alone two-station sink features a unique design where fresh water is stored in the main outer tank and gray water is stored in a flexible vinyl liner. When the outer tank is filled with water, the inner liner floats up. When the foot pumps are activated, water drains from the sink bowl strainers into the inner liner that eventually displaces the water in the main outer tank. The built-in recessed handles allow for transport, while the hinged lid provides easy access to the internal components. The three ribbed design provides strength and offers space for "strip" advertisements. Two sinks can be placed back-to-back to create a service island. An optional umbrella can be placed between the back-to-back sinks and advertising valence overlays can be attached to the umbrella valences using velcro, which can be an additional source of revenue from special event sponsors. These sinks are supplied fully assembled from the factory.

### SK3-2000 - Applause Sink with Hard Inner Liner

The Applause Sink with the Hard Inner Liner is an option when capacity is not a factor and is supplied fully assembled from the factory. The hard inner liner has a fresh water capacity of 33 gallons, and a gray water capacity of 34 gallons. Fresh water is stored in the main outer tank and gray water is stored in a hard inner liner.

## TOOLS REQUIRED FOR MAINTENANCE

- Drill with 13/64" bit
- Rivet Gun
- Standard slotted screw driver
- Channel Locks

We recommend reading through the entire booklet prior to proceeding with installation, service or maintenance. All references to left and right throughout this guide are as viewed from the front.

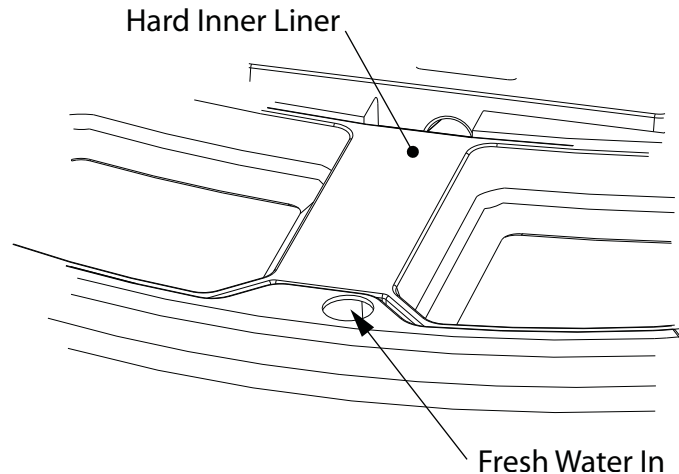
## Operations Information

### Fresh Water Plumbing

The plumbing system in this sink is simple and requires minimal maintenance. If the system becomes plugged, first check the foot pumps. Depress each foot pump and observe the level of resistance. If there is resistance and water is not dispensed, there is most likely an obstruction in the tube or at the orifice of the water spigot. If there is no resistance and the water is not dispensed, then either a.) a tube connection is loose or b.) an internal rubber part of the pump needs replacing.

### Filling with Fresh Water

To open the hinged top you must first remove the top of the trash chute on both sides and release the latch locks. Insert a standard 1" garden or similar type hose into the 1-1/4" round fill port under the lid. Fill the sink with a few gallons of fresh water to perform a system check. Depress both foot pumps a few times to "prime" them (*the pumps have built-in check valves that will hold a prime between uses*). The sink is equipped with "weep" holes located at the top of the recessed handles in the sides (*fresh water will "weep" from these holes once the tank has reached capacity*).



### Emptying Fresh Water

A drain port is located at the bottom left center of the sink.

### Emptying Gray Water

**NOTE: Certain geographical areas prohibit "dumping" of gray water and requires proper disposal.** Gray water can be pumped out by lifting the hinged top. A drain port is also located at the bottom right center of the sink.

## Maintenance Information

### Gray Water Bag Replacement

Prior to removing or replacing the bag, be sure the gray water has been completely drained and properly disposed of. Unsnap the fourteen snaps that hold the bag to the sink. Pull the bag up, locate the fitting at the bottom of the bag and disconnect the hose clamp from the drain hose using a standard slotted screwdriver.

### Drain Hose Replacement

To replace the drain hose, it will be necessary to completely drain the sink of all fresh and gray water. Pull the bag up out of the sink. Remove the hose clamp from the fitting on the bag and also the one at the bottom of the sink in the location of the drain port.

### Drain Strainer Replacement

The sink strainers are screwed directly into the sink bowls with 3/4" plastic flange nuts on the underside of the sink bowl. To replace the strainers, open the hinged lid and use channel locks to remove the flange nuts.

### Spigot Replacement

To replace the spigots, open the hinged lid and from the underside of the bowl, drill out the (2) PC-000104 - Rivets. Pull out the spigot with the fitting attached and disconnect the tubing. Quick disconnect fittings are used throughout the plumbing system. To disconnect the tubing, push the ring of the fitting toward the fitting stem while at the same time pulling out on the tubing.

### Filter Replacement

Prior to removing or replacing the filters, be sure to completely drain the fresh water from the main tank. Also, it will be necessary to drain the gray water bag and pull it up out of the sink. Pull the PC-000305 - Plastic Filter off of the CT38-005 - 3/8" x 5" Tube (*the filter is fitted onto the tube in the bottom of the sink*).

### Pump Removal

Remove the (4) PC-000142 - 1/4" Hex Head Bolts from each of the base plates. The pumps are fastened to the base plates with (4) PC-000102 - Rivets and (4) PC-000106 - Back-up Washers. To remove the pumps, drill out the rivets from the bottom of the sink and disconnect the tubing. Quick disconnect fittings are used throughout the plumbing system. To disconnect the tubing, push the ring of the fitting toward the fitting stem while at the same time pulling out on the tubing.

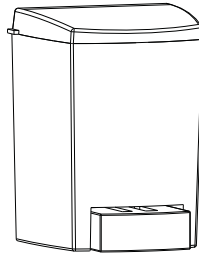
## Maintenance Information *(continued)*

### Paper Towel Dispensers

The dispensers are designed to accept single or multi-fold, as well as roll towels. The recommended towels are the *Georgia Pacific 23504 - single fold* or the *Baywest Ecosoft #46200 - roll towel*. **NOTE: When using other towels, be sure the width does not exceed 9-1/2". The use of a roll towel complies with ADA requirements.**

### Soap Dispensers

Open the soap dispenser by placing your hands on both sides of the dispenser and pressing up on the tabs of the lid. Locate the tab on the mounting plate at the rear of the dispenser and push in on it and slide the dispenser up and off. Fill with 30 fluid ounces of liquid soap. Refasten it to the mounting plate and snap the lid back on.



### Towel Chutes/Trash Bag Holders

The towel chutes/trash bag holders have a "force-fit" common joint design. The trash bag holder will accept most types of trash bags from 10 to 55 gallons (*30 gallon is the most practical*). Position the trash bag in the holder and force the chute into position over the holder.

## **IMPORTANT DECAL**

**NOT FOR COOKING OR DRINKING**, is required by law in certain areas of the U.S. Other geographical areas require that the materials used to manufacture the sinks comply with the U.S. Federal Food and Drug Administration (FDA) guidelines 21 CFR 175.300 (resins), 177.1520 (olefin polymers) and 178.3297 (colorants for polymers). The materials also comply with the U.S. Public Health Service Drinking Water Standards, 42 CFR part 72 and U.S. Environmental Protection Agency Interim Primary Drinking Water Regulations 40 CFR part 141.

## **Winterizing**

- Drain all water from the tanks.
- Flush tank with a solution of chlorine and water.
- Depress the foot pump to clear lines.

## **CLEANING AND MAINTENANCE**

Use a mild soap to clean all surfaces and component parts.

Minor scratches and abrasions can be lightly sanded or scrubbed with a mild abrasive cleaner (*such as "Soft Scrub"*) that contains calcium carbonate, hypochlorate bleach and detergents. Be sure to follow the cleaning product directions since these ingredients may cause hazardous gases when mixed with other chemicals. Rinse the cleaned area and buff with a conventional wax.

Some light scratches may also be hidden by using an industrial hot air gun.