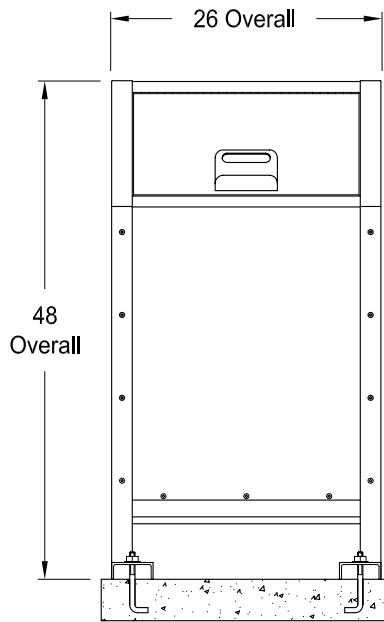


Typical Side View

## Single Unit Model: BPLR1

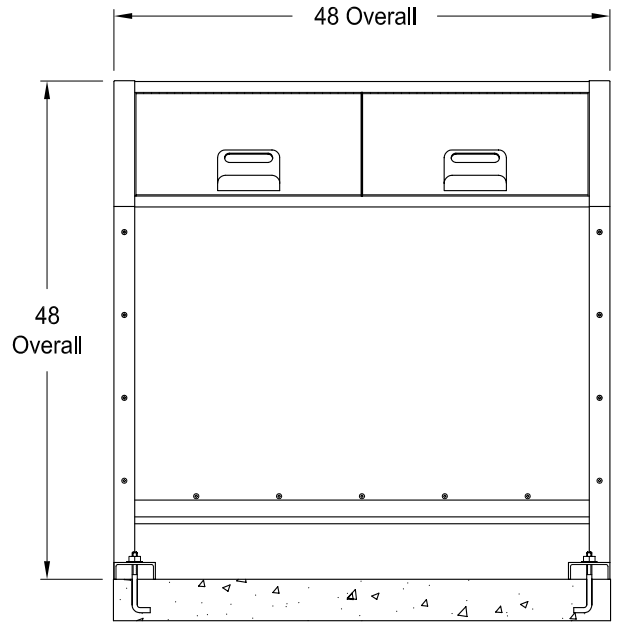
Min. Capacity: 260 Litres



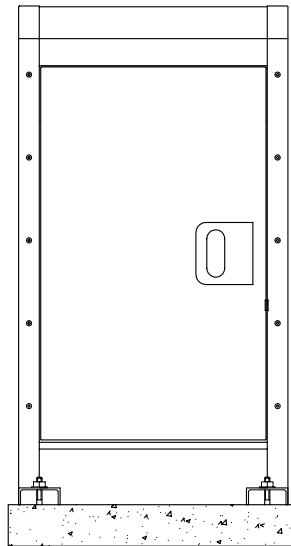
Front View

## Double Unit Model: BPLR2

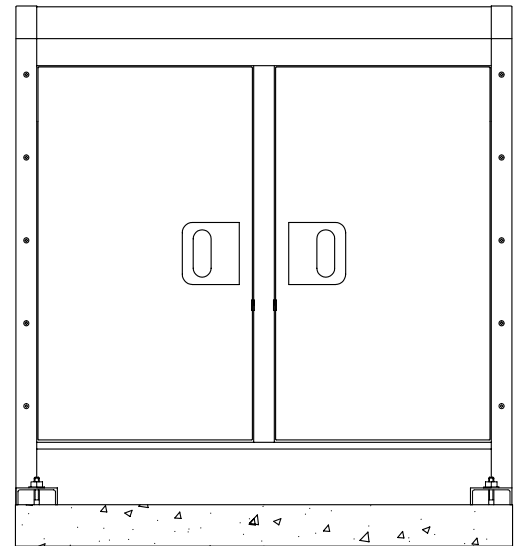
Min. Capacity: 500 Litres



Front View



Rear View



Rear View

# Bear Proof Litter Receptacles

*General  
Specifications*