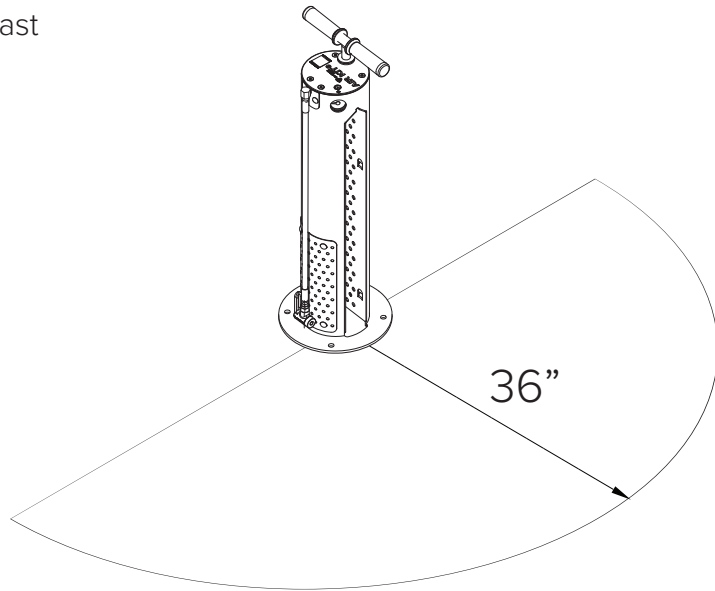


AIR KIT 4

Setbacks

The Air Kit 4 should be installed at least 36" away from any obstructions.



TERRA BOUND
SOLUTIONS™

20020 Hickory Twig Way | Spring, TX 77388 | Toll Free: 1-877-857-2915

AIR KIT 4

Installation Instructions – Surface Mount

TOOLS NEEDED

Marker or Pencil
Masonry Drill Bit 3/8"
Drill (Hammer drill recommended)
Hammer
Wrench 9/16"
Level

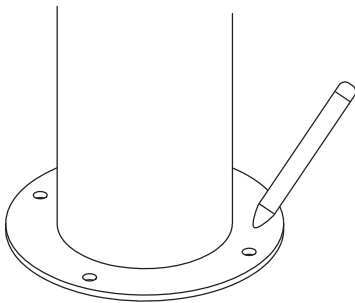
RECOMMENDED BASE MATERIAL

Solid concrete is the best base material for installation. To ensure the proper anchors are shipped with your Air Kit, ask your Dero representative which anchor is appropriate for your application. Be sure nothing is underneath the base material that could be damaged by drilling.



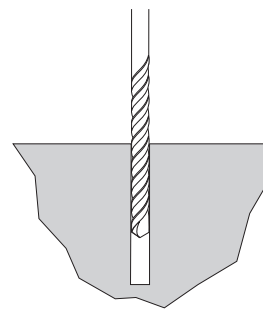
Be sure to save your tamper-resistant tools for any future maintenance. They are costly to replace.

1



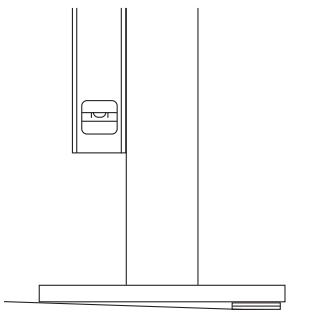
Place the Air Kit 4 in the desired location. Use a marker or pencil to outline the holes of the flange onto the base material.

2



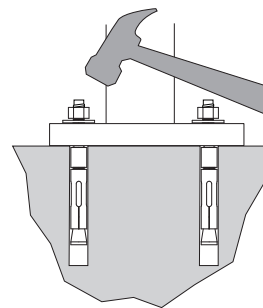
Drill 3/8" diameter holes 3" deep into surface. Make sure the holes are at least 3" away from any cracks in the base material.

3



Use washers to level pump if necessary.

4



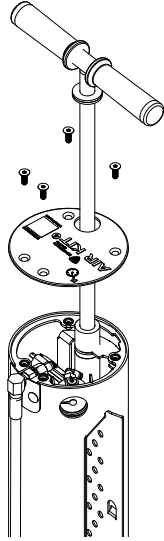
Thread nuts onto anchors, leaving approximately 1/4" of the anchor protruding, and tap into surface. **Place the 2 provided tamper-proof penta nuts on opposite sides.** Tighten nuts down to secure pump.

TERRA BOUND
SOLUTIONS™

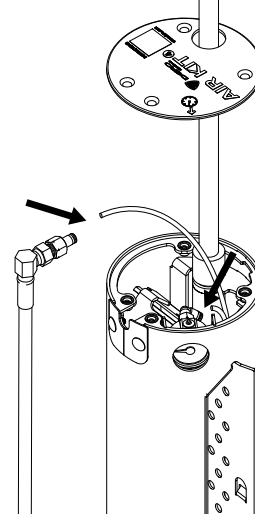
AIR KIT 4

Maintenance and Repair Instructions

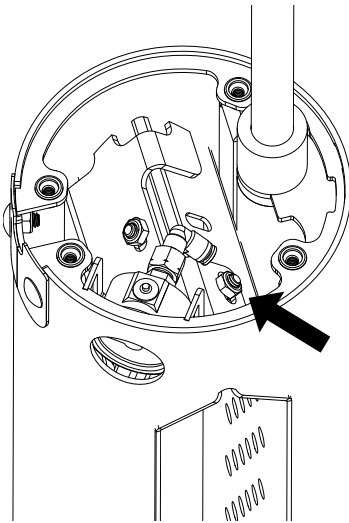
- 1** Remove the 4 tamper-proof screws at the top of the pump and lift the cap.



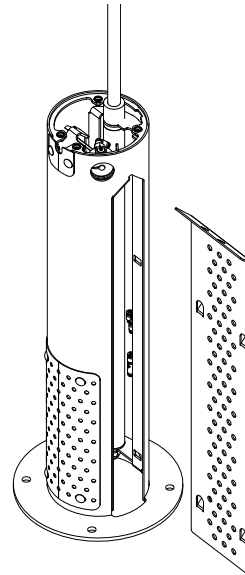
- 2** Disconnect the air line via the push-to-connect fitting at the top of the hose and at the pressure gauge.



- 3** Remove the nut and carriage bolt at the top of the perforated center plate adjacent to the pump.



- 4** Lower the center plate to disengage the 4 tabs and slide it out of the main body.

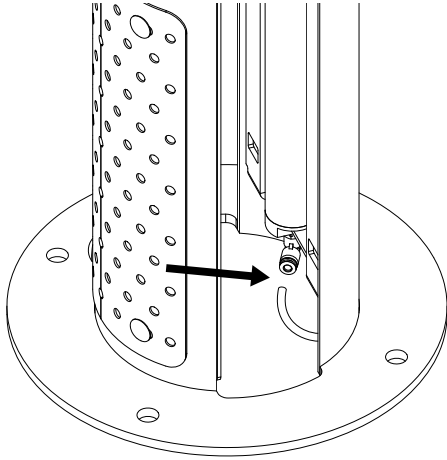


TERRA BOUND
SOLUTIONS™

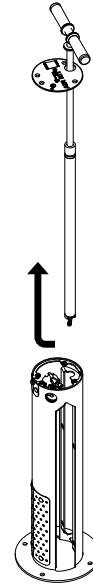
AIR KIT 4

Maintenance and Repair Instructions

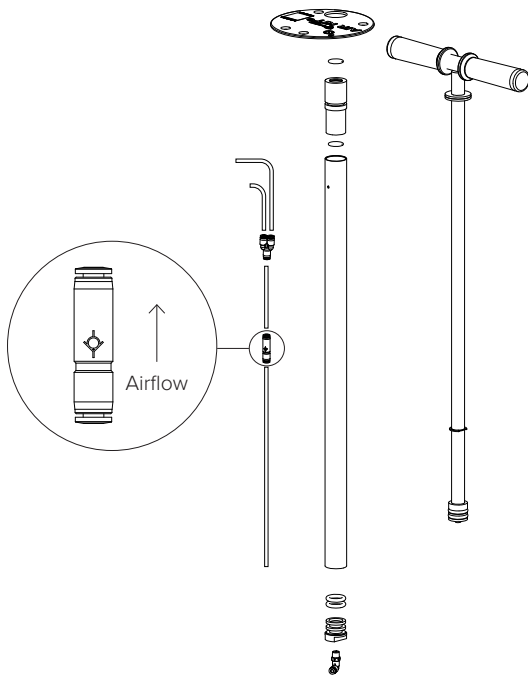
- 5** Disconnect the air line via the push-to-connect fitting at the bottom of the pump.



- 6** Slide the pump sideways out of the main body slots and then lift the whole pump out of the main body.



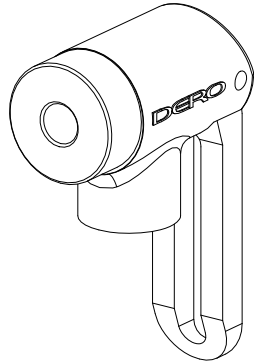
- 7** The pump can now be taken apart without tools for servicing.



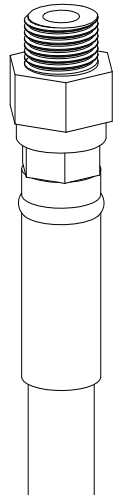
TERRA BOUND
SOLUTIONS™

AIR KIT 4

Repair Instructions - Changing Metal Head™



Remove Metal Head™ by turning counter-clockwise. You will need a 3/4" wrench. Replace with new Metal Head and tighten.



TERRA BOUND
SOLUTIONS™

20020 Hickory Twig Way | Spring, TX 77388 | Toll Free: 1-877-857-2915